



Data subject to change without notice. Always confirm the data is correct from the seller.

KEM 316 YR M2

KEM Polycarbonate 10-630A

- IP66; Enclosure types M2, M3, M4, MF11, MF01, MF02 MF03, MF04
- Self-extinguishing material
- Wide operating temperature range
- Padlockable with 3 locks

- Door interlock with defeat mechanism
- Excellent insulating properties
- Good UV resistance
- Good resistance against many chemicals
- Tested according to IEC 60947-3
- **Note!** Al-cables cannot be connected directly to switch terminals. For Al-cable connection please use a bi-metal cable connector, **available here**.

KEM 16-40 A Installation guide video >>

KEM 63-80 A Installation guide video >>

Technical datasheet >>

Accessories



PRODUCT CARD

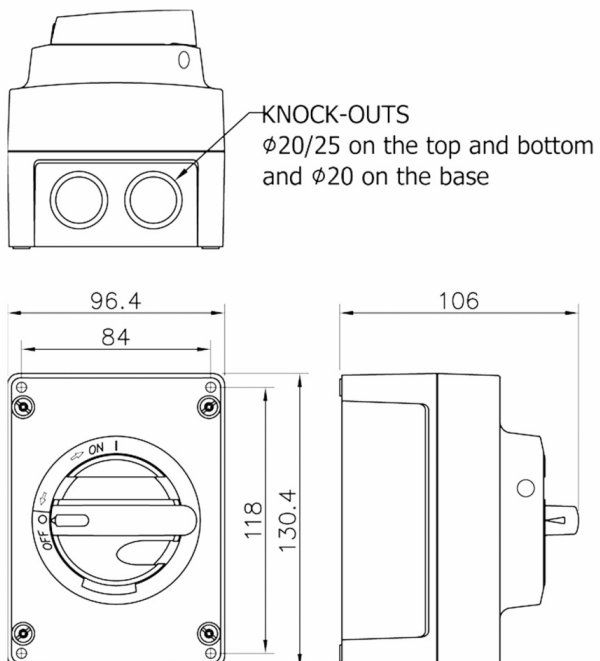
MORE INFORMATION

PRODUCT DETAILS

SKU	KEM 316 YR M2
AC-21 400/415 V (A)	25 A
AC-21 690 V (A)	25 A

AC-22 400/415 V (A)	16 A
AC-22 690 V (A)	16 A
AC-23 400/415 V (A/kW)	16 A / 7.5 kW
AC-23 690 V (A/kW)	16 A / 11 kW
Cable Area to Switch Terminal (only Cu) (mm²) / Bolt size	1.5-16
Color	Yellow / Red
EAN	6419410327739
Enclosure	M2
Enclosure Type	Polycarbonate
IP Rating	66
Number of Poles	3
Operation	Front-operated
Switch type	Load Break Switch
Weight (kg)	0.4

DIMENSIONAL DRAWING





KATKO Oy
Ruosilantie 2
00390 Helsinki, Finland
E-mail: info(at)katko.com
Tel: +358 (0)9 849 600

NEWSLETTER

Email

SEND »

[LinkedIn](#) | [YouTube](#)

DOWNLOADS →

[Terms & Conditions](#)

[Manage consent](#)