



Data subject to change without notice. Always confirm the data is correct from the seller.

## **KEM 340U/EMC**

### **EMC Switches 10-630A**

- Electromagnetic compatibility ensures safe operation in environments with electromagnetic disturbance
- Tested according to EMC EN 61000-6-3:2007+A1(2011) with EMC- glands

shielded power cable

- IP66; Enclosure types U2, U3, A2, A3
- IP65; Enclosure types TR02, TR03, TR04
- Available in polycarbonate up to 125 A, aluminium up to 160 A and sheet steel up to 630 A
- Also available in TR02, TR03 and TR04 enclosures
- Padlockable
- EMC cable glands included
- Door interlock with defeat mechanism
- Tested according to IEC 60947-3
- Also available with 4, 6 or 8-poles
- **Note!** Al-cables cannot be connected directly to switch terminals. For Al-cable connection please use a bi-metal cable connector, **available here**.

**Technical datasheet >>**

Accessories



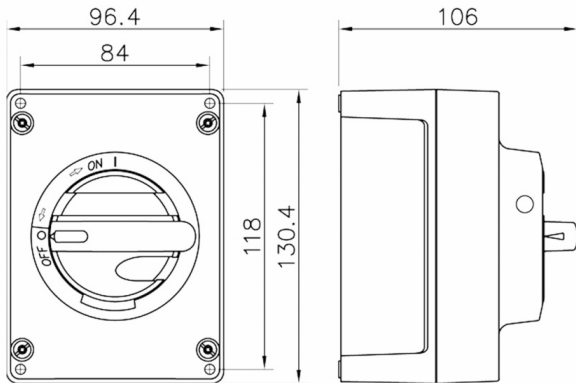
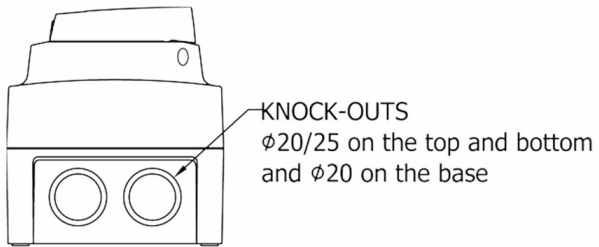
**PRODUCT CARD**

**MORE INFORMATION**

## PRODUCT DETAILS

<b>SKU</b>	KEM 340U/EMC
<b>AC-21 400/415 V (A)</b>	63 A
<b>AC-21 690 V (A)</b>	63 A
<b>AC-22 400/415 V (A)</b>	40 A
<b>AC-22 690 V (A)</b>	40 A
<b>AC-23 400/415 V (A/kW)</b>	40 A / 22 kW
<b>AC-23 690 V (A/kW)</b>	32 A / 30 kW
<b>Cable Area to Switch Terminal (mm<sup>2</sup>) / Bolt size</b>	1.5-16
<b>Cable Gland</b>	2xM25
<b>Color</b>	Standard
<b>EAN</b>	6419410329221
<b>Enclosure</b>	U2
<b>Enclosure Type</b>	Polycarbonate
<b>IP Rating</b>	66
<b>Number of Poles</b>	3
<b>Operation</b>	Front-operated
<b>Switch type</b>	Load Break Switch
<b>Weight (kg)</b>	0.8

## DIMENSIONAL DRAWING



KATKO Oy  
Ruosilantie 2  
00390 Helsinki, Finland  
E-mail: info(at)katko.com  
Tel: +358 (0)9 849 600

# NEWSLETTER

Email

SEND »

[LinkedIn](#) | [YouTube](#)

DOWNLOADS →

[Terms & Conditions](#)