



Data subject to change without notice. Always confirm the data is correct from the seller.

KEA 3125U

KEA Aluminium 16-250A

- IP66; Enclosure types A2, A3
- IP65; Enclosure types A4, A5
- IK08; A2, A3 (Degree of mechanical impact)
- IK10: A4, A5

- Excellent for hard weather conditions
- Wide operating temperature range
- Good resistance against many chemicals
- Good UV resistance
- Padlockable
- Door interlock with defeat mechanism
- Tested according to IEC 60947-3
- **Note!** Al-cables cannot be connected directly to switch terminals. For Al-cable connection please use a bi-metal cable connector, **available here**.

Technical datasheet >>

Accessories



PRODUCT CARD

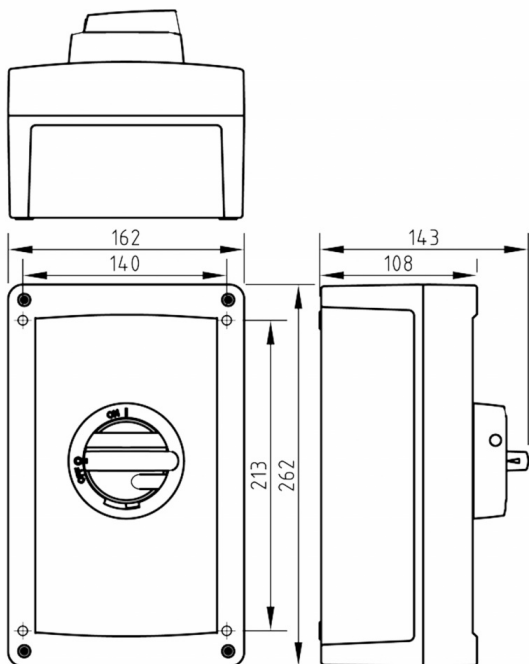
MORE INFORMATION

PRODUCT DETAILS

SKU	KEA 3125U
AC-21 400/415 V (A)	160 A
AC-21 690 V (A)	160 A

AC-22 400/415 V (A)	125 A
AC-22 690 V (A)	125 A
AC-23 400/415 V (A/kW)	125 A / 55 kW
AC-23 690 V (A/kW)	80 A / 75 kW
Cable Area to Switch Terminal (mm²) / Bolt size	6-70
Color	Standard
EAN	6419410329641
Enclosure	A3
Enclosure Type	Aluminium
IP Rating	66
Number of Poles	3
Operation	Front-operated
Switch type	Load Break Switch
Weight (kg)	3.5

DIMENSIONAL DRAWING





KATKO Oy
Ruosilantie 2
00390 Helsinki, Finland
E-mail: info(at)katko.com
Tel: +358 (0)9 849 600

NEWSLETTER

Email

SEND »

[LinkedIn](#) | [YouTube](#)

DOWNLOADS →

[Terms & Conditions](#)