

connector - with screwless terminals



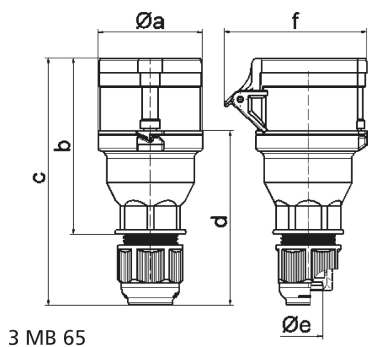
Product description	
BALS-Prd.-Nr	3141
EAN	4024941031417
Product group	Quick-Connect connector Multi-Grip cable gland
Current	32A
Number of poles	4p
Arrangement of the phases	3P+PE
Earth 'clock' position	9 h
Voltage	200 up to 250V
Frequency	50 and 60Hz

Product description	
Protection degree	IP44
Colour code	blue
Colour of appliance	Collar blue, Hinged lid blue, Housing cover grey, Cable gland grey
Connection design	screwless spring terminals as cage clamp with Kontext-contact
Maximum conductor size	6,0 qmm
Cable entry	Cable gland
Height	194mm
Width	79mm
Depth	93mm
Material of enclosure	Polyamide
Contacts	The contact carrier is made of polyamide, The contacts are brass

Additional technical information	
	Multi-Grip cable gland with gasket and integrated strain relief, Screwless housing connection with snap fastening, For cable diameter from 11 up to max. 23,5 mm

Logistics data	
Weight/pcs	0.261 kg / piece
Packaging	bag
Content amount	1 ST
EAN	4024941031417

Logistics data	
Length	93 mm
Width	79 mm
Height	194 mm
Weight	0.262 kg
Volume	1,425.318 ccm
Packaging	carton
Content amount	10 ST
EAN	4024941967754
Length	295 mm
Width	185 mm
Height	215 mm
Weight	2.774 kg
Volume	9,975 ccm



Ampere	16	16	16	32	32	32
Polzahl	3	4	5	3	4	5
a ø	53,0	60,0	66,0	74,5	74,5	74,5
b	100,5	112,5	113,5	133,5	133,5	134,5
c	141,0	153,0	154,0	186,0	186,0	187,0
d	97,5	104,5	105,5	127,5	127,5	128,5
e ø	18,0	18,0	18,0	23,0	23,0	23,0
f	76,0	79,0	86,0	92,0	92,0	97,0
Leiter mm ² min	1	1	1	2,5	2,5	2,5
Leiter mm ² max	2,5	2,5	2,5	6	6	6