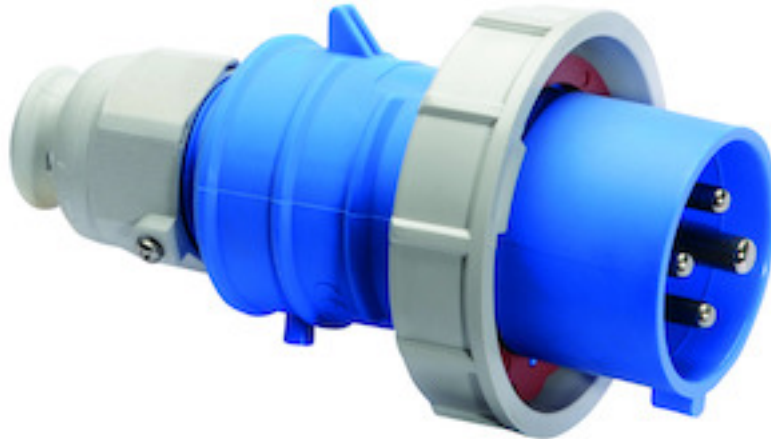


## plug - with screwless terminals, for harsh applications



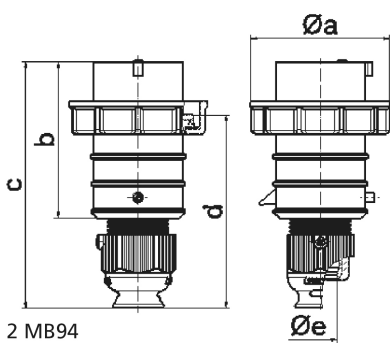
Product description	
BALS-Prd.-Nr	21251
EAN	4024941212519
product category (PG)	Quick-Connect TE-Plus plug with Multi-Grip cable gland
current (A)	32A
number of poles (P99)	4p
number of poles (P)	3P+PE
position of earth contact (H)	9 h
voltage (V)	200 up to 250V
frequency (HZ)	50 and 60Hz

Product description	
protection degree (SA)	IP67
colour code 1 (KF1)	blue RAL 5015
Colour of appliance	Collar blue, Bayonet ring grey, Cable gland grey, Housing cover blue
connection design (AT)	screwless spring-clamp technology as cage clamp
maximum conductor size (LQ)	6,0 qmm
cable entry (KE)	Cable gland
Height	180mm
Width	94mm
Depth	94mm
material of enclosure (GM)	Polyamide
contact	The contact carrier is made of high temperature resistant material, the contacts are brass nickel plated

Additional technical information	
	For cable diameter from 11 up to max. 23,5 mm, Multi-Grip cable gland with gasket, integrated cable clamp and additional water evacuation openings

Logistics data	
Weight/pcs	0.292 kg / Piece
Packaging	Bag
Content amount	1 ST
EAN	4024941212519

Logistics data	
Length	94 mm
Width	94 mm
Height	180 mm
Weight	0.293 kg
Volume	1,590.48 ccm
Packaging	Carton
Content amount	10 ST
EAN	4024941821971
Length	325 mm
Width	217 mm
Height	210 mm
Weight	3.126 kg
Volume	13,588.4 ccm



Ampere Polzahl	16 3	16 4	16 5	32 3	32 4	32 5
a ø	70,0	78,0	86,0	94,0	94,0	101,0
b	95,0	95,0	97,0	118,0	118,0	117,0
c	145,0	145,0	152,0	178,0	178,0	181,0
d	111,0	111,0	119,0	136,0	136,0	138,5
e ø	18,0	18,0	21,0	23,0	23,0	27,0
Leiter mm² min	1	1	1	2,5	2,5	2,5
Leiter mm² max	2,5	2,5	2,5	6	6	6