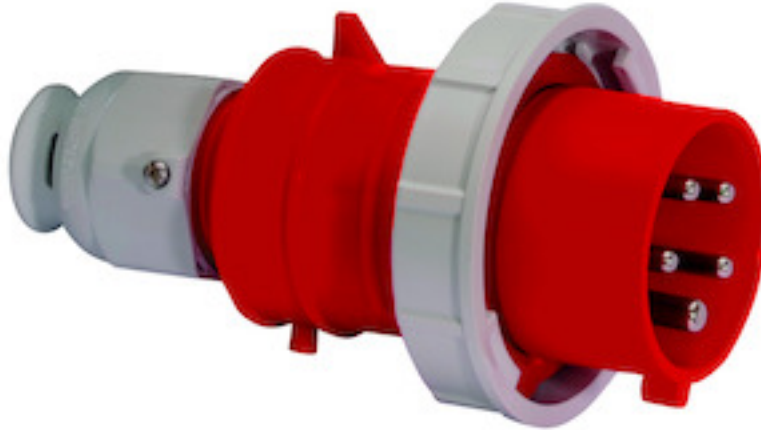


## plug - with screwless terminals, for harsh applications



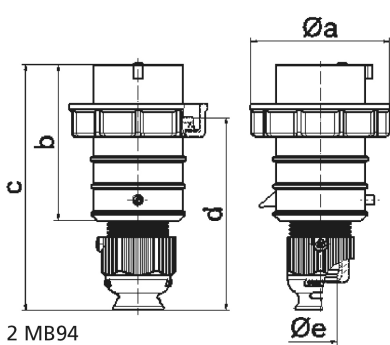
Product description	
BALS-Prd.-Nr	21241
EAN	4024941212410
product category (PG)	Quick-Connect TE-Plus plug with Multi-Grip cable gland
current (A)	32A
number of poles (P99)	5p
number of poles (P)	3p+N+PE
position of earth contact (H)	6 h
voltage (V)	200/346 up to 240/415V
frequency (HZ)	50 and 60Hz

Product description	
protection degree (SA)	IP67
colour code 1 (KF1)	red RAL 3000
Colour of appliance	Housing cover red, Collar red, Bayonet ring grey, Cable gland grey
connection design (AT)	screwless spring-clamp technology as cage clamp
maximum conductor size (LQ)	6,0 qmm
cable entry (KE)	Cable gland
Height	182mm
Width	102mm
Depth	102mm
material of enclosure (GM)	Polyamide
contact	The contact carrier is made of high temperature resistant material, the contacts are brass nickel plated

Additional technical information	
	For cable diameter from 13 up to max. 27 mm, Multi-Grip cable gland with gasket, integrated cable clamp and additional water evacuation openings

Logistics data	
Weight/pcs	0.35 kg / Piece
Packaging	Carton
Content amount	10 ST
EAN	4024941958110

Logistics data	
Length	330 mm
Width	216 mm
Height	260 mm
Weight	3.726 kg
Volume	17,062.5 ccm



2 MB94

Ampere	16	16	16	32	32	32
Polzahl	3	4	5	3	4	5
a ø	70,0	78,0	86,0	94,0	94,0	101,0
b	95,0	95,0	97,0	118,0	118,0	117,0
c	145,0	145,0	152,0	178,0	178,0	181,0
d	111,0	111,0	119,0	136,0	136,0	138,5
e ø	18,0	18,0	21,0	23,0	23,0	27,0
Leiter mm² min	1	1	1	2,5	2,5	2,5
Leiter mm² max	2,5	2,5	2,5	6	6	6