

wall mounting socket outlet - housing dimensions 170x90



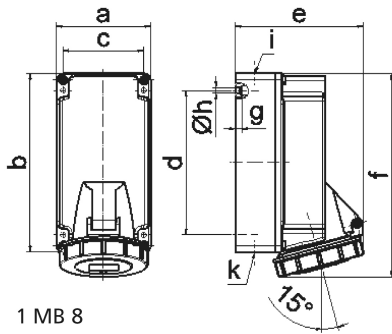
Product description	
BALS-Prd.-Nr	11493
EAN	4024941114936
product category (PG)	TE wall mounting socket outlet Quick-Connect
current (A)	16A
number of poles (P99)	4p
number of poles (P)	3P+PE
position of earth contact (H)	6 h
voltage (V)	380 up to 415V
frequency (HZ)	50 and 60Hz

Product description	
protection degree (SA)	IP67
colour code 1 (KF1)	red RAL 3000
Colour of appliance	Hinged lid red, Bayonet ring grey, Housing bottom grey, Housing top grey
connection design (AT)	screwless spring terminals as cage clamp with Kontext-contact
maximum conductor size (LQ)	4,0 qmm
cable entry (KE)	top entry M20, bottom entry M25/20
Height	192mm
Width	90mm
Depth	115mm
dimension of enclosure (GG)	170x90 mm (HxW)
material of enclosure (GM)	Polycarbonate
contact	The contact carrier is made of high temperature resistant material, the contacts are brass nickel plated

Additional technical information	
	The cable entry is one at top open and two at bottom closed
	Lower part of housing rotatable by 180°

Logistics data	
Weight/pcs	0.42 kg / Piece
Packaging	Carton

Logistics data	
Content amount	1 ST
EAN	4024941114936
Length	205 mm
Width	102 mm
Height	134 mm
Weight	0.48 kg
Volume	2,118.48 ccm



Ampere	16	16	16			
Polzahl	3	4	5			
a	90,0	90,0	90,0			
b	170,0	170,0	170,0			
c	77,0	77,0	77,0			
d	137,5	137,5	137,5			
e	108,0	115,0	122,0			
f	191,5	191,5	195,0			
g	6,5	6,5	6,5			
h ø	5,5	5,5	5,5			
i	M20	M20	M20			
k	M20/25	M20/25	M20/25			
Leiter mm ² min	1,5	1,5	1,5			
Leiter mm ² max	4	4	4			