

wall mounting socket outlet - housing dimensions 225x118



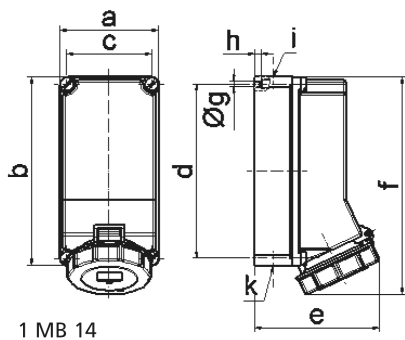
Product description	
BALS-Prd.-Nr	11461
EAN	4024941114615
product category (PG)	Wall mounting socket outlet Quick-Connect
current (A)	32A
number of poles (P99)	4p
number of poles (P)	3P+PE
position of earth contact (H)	6 h
voltage (V)	380 up to 415V

Product description	
frequency (HZ)	50 and 60Hz
protection degree (SA)	IP67
colour code 1 (KF1)	red RAL 3000
Colour of appliance	Hinged lid red, Bayonet ring grey, Housing screws grey, Housing bottom grey, Housing top grey
connection design (AT)	screwless spring terminals as cage clamp with Kontext-contact
maximum conductor size (LQ)	10,0 qmm
cable entry (KE)	top entry M25/M25 bottom entry M25
Height	260mm
Width	118mm
Depth	144mm
dimension of enclosure (GG)	225x118 mm (HxW)
material of enclosure (GM)	Polycarbonate
contact	The contact carrier is made of high temperature resistant material, the contacts are brass nickel plated

Additional technical information	
	The cable entry is one at top open, one at top is closed, and two at bottom are closed

Logistics data	
Weight/pcs	0.745 kg / Piece
Packaging	Carton

Logistics data	
Content amount	1 ST
EAN	4024941114615
Length	275 mm
Width	175 mm
Height	137 mm
Weight	0.87 kg
Volume	5,737.5 ccm



1 MB 14

Ampere Polzahl	32 3	32 4	32 5				
a	118,0	118,0	118,0				
b	225,0	225,0	225,0				
c	101,0	101,0	101,0				
d	208,0	208,0	208,0				
e	143,0	143,0	149,0				
f	255,0	255,0	255,0				
g ø	6,5	6,5	6,5				
h	8,0	8,0	8,0				
i	2xM25	2xM25	2xM25				
k	2xM25	2xM25	2xM25				
Leiter mm ² min	2,5	2,5	2,5				
Leiter mm ² max	10	10	10				