

wall mounting socket outlet - housing dimensions 170x118



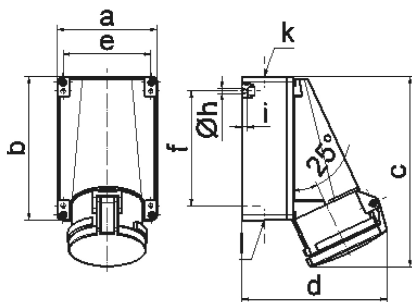
| Product description | |
|---------------------------|--------------------------------|
| BALS-Prd.-Nr | 1104 |
| EAN | 4024941011044 |
| product category | GT wall mounting socket outlet |
| current | 63A |
| number of poles | 3p |
| number of poles | 2P+PE |
| position of earth contact | 6 h |
| voltage | 200 up to 250V |

| Product description | |
|------------------------|--|
| frequency | 50 and 60Hz |
| protection degree | IP44 |
| colour code | blue RAL 5015 |
| Colour of appliance | Hinged lid blue, Housing bottom grey, Housing top grey |
| connection design | screw terminal as box terminal with Kontex-contact |
| maximum conductor size | 25.0 qmm |
| cable entry | top entry M40, bottom entry M32 |
| Height | 226mm |
| Width | 118mm |
| Depth | 173mm |
| dimension of enclosure | 170x118 mm (HxW) |
| material of enclosure | Polycarbonate |
| contact | The contact carrier is made of high temperature resistant material, the contacts are brass nickel plated |

| Additional technical information | |
|----------------------------------|---|
| | The cable entry is one at top open and two at bottom closed |
| | Lower part of housing rotatable by 180° |

| Logistics data | |
|----------------|-----------------|
| Weight/pcs | 0.78 kg / Piece |

| Logistics data | |
|----------------|---------------|
| Packaging | Bag |
| Content amount | 1 ST |
| EAN | 4024941011044 |
| Length | 168 mm |
| Width | 118 mm |
| Height | 223 mm |
| Weight | 0.781 kg |
| Volume | 4,420.752 ccm |
| Packaging | Carton |
| Content amount | 5 ST |
| EAN | 4024941958479 |
| Length | 345 mm |
| Width | 345 mm |
| Height | 217 mm |
| Weight | 4.235 kg |
| Volume | 24,276 ccm |



1 MB 4

| Ampere Polzahl | 63 3 | 63 4 | 63 5 | | | |
|----------------------------|---------|---------|---------|--|--|--|
| a | 118,0 | 118,0 | 118,0 | | | |
| b | 170,0 | 170,0 | 170,0 | | | |
| c | 223,0 | 223,0 | 223,0 | | | |
| d | 168,0 | 168,0 | 168,0 | | | |
| e | 104,0 | 104,0 | 104,0 | | | |
| f | 136,0 | 136,0 | 136,0 | | | |
| h ø | 6,1 | 6,1 | 6,1 | | | |
| i | 6,0 | 6,0 | 6,0 | | | |
| k | M40 | M40 | M40 | | | |
| l | M 32/32 | M 32/32 | M 32/32 | | | |
| Leiter mm ² min | 6 | 6 | 6 | | | |
| Leiter mm ² max | 25 | 25 | 25 | | | |