

## plug - with TE screw terminals, for harsh applications



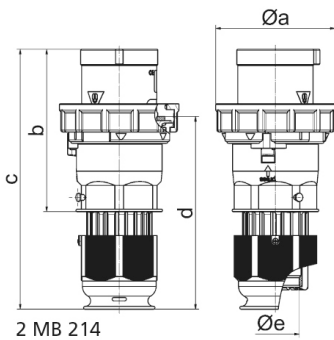
Product description	
BALS-Prd.-Nr	2195
EAN	4024941021951
product category (PG)	TE plug with Multi-Grip cable gland
current (A)	125A
number of poles (P99)	4p
number of poles (P)	3P+PE
position of earth contact (H)	6 h
voltage (V)	380 up to 415V
frequency (HZ)	50 and 60Hz

Product description	
protection degree (SA)	IP67
colour code 1 (KF1)	red RAL 3000
Colour of appliance	Pusher grey, Housing cover red, Collar red, Bayonet ring grey, Cable gland grey
connection design (AT)	screw terminal as box terminal
maximum conductor size (LQ)	50.0 qmm
cable entry (KE)	Cable gland
Height	282mm
Width	126mm
Depth	126mm
material of enclosure (GM)	Polycarbonate + Polyester
contact	The contact carrier is made of high temperature resistant material, the contacts are brass nickel plated

Additional technical information	
	For cable diameter from 26 up to max. 50 mm, Screwless housing connection, Multi-Grip cable gland with gasket, integrated cable clamp and additional water evacuation openings

Logistics data	
Weight/pcs	1.125 kg / Piece
Packaging	Bag
Content amount	1 ST
EAN	4024941021951

Logistics data	
Length	126 mm
Width	126 mm
Height	282 mm
Weight	1.126 kg
Volume	4,477.032 ccm
Packaging	Carton
Content amount	5 ST
EAN	4024941958790
Length	345 mm
Width	345 mm
Height	217 mm
Weight	5.96 kg
Volume	24,276 ccm



Ampere	125	125	125				
Polzahl	3	4	5				
a ø	126,0	126,0	126,0				
b	181,0	181,0	181,0				
c	282,0	282,0	282,0				
d	206,0	206,0	206,0				
e ø	50,0	50,0	50,0				
Leiter mm <sup>2</sup> min	16	16	16				
Leiter mm <sup>2</sup> max	50	50	50				