

## Wall mounting socket outlet - housing dimensions 460x180



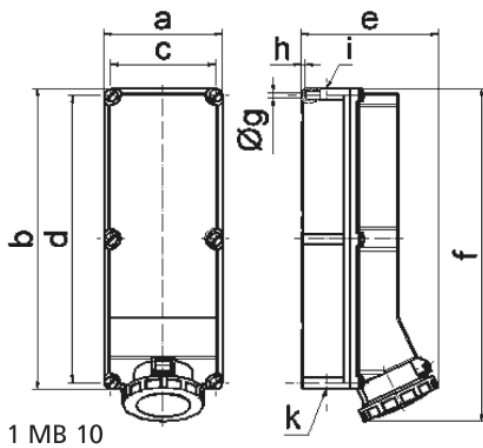
Product description	
PH-Prd.-Nr	PH110531AI
EAN	7024941869390
product category (PG)	Wall mounting socket outlet
current (A)	125A
number of poles (P99)	4p
number of poles (P)	3P+PE
position of earth contact (H)	9 h
voltage (V)	200 up to 250V

Product description	
frequency (HZ)	50 and 60Hz
protection degree (SA)	IP67
colour code 1 (KF1)	blue RAL 5015
Colour of appliance	Hinged lid blue RAL 5015, Bayonet ring grey RAL 7035, Housing screws grey RAL 7035, Housing bottom grey RAL 7035, Housing top grey RAL 7035
connection design (AT)	screw terminal for AL/Cu
maximum conductor size (LQ)	95.0 qmm
cable entry (KE)	top entry M50 bottom entry M50/M40
Height	512mm
Width	180mm
Depth	210mm
dimension of enclosure (GG)	460x180 mm (HxW)
material of enclosure (GM)	Polycarbonate
contact	The contact carrier is made of high temperature resistant material, the contacts are brass nickel plated

Additional technical information	
	The cable entry is one at top and two at bottom open

Logistics data	
Weight/pcs	2,9 kg / Piece
Packaging	Carton

Logistics data	
Content amount	1 ST
EAN	7024941869390
Length	560 mm
Width	215 mm
Height	260 mm
Weight	3.362 kg
Volume	26,400 ccm



Ampere	125	125	125			
Polzahl	3	4	5			
a	180,0	180,0	180,0			
b	460,0	460,0	460,0			
c	160,0	160,0	160,0			
d	440,0	440,0	440,0			
e	208,0	208,0	208,0			
f	510,0	510,0	510,0			
g ø	8,3	8,3	8,3			
h	6,5	6,5	6,5			
i	M50	M50	M50			
k	M40/50	M40/50	M40/50			
Leiter mm <sup>2</sup> min	16	16	16			
Leiter mm <sup>2</sup> max	95	95	95			