

combination wall mounting socket outlet - with terminals ready wired for installation

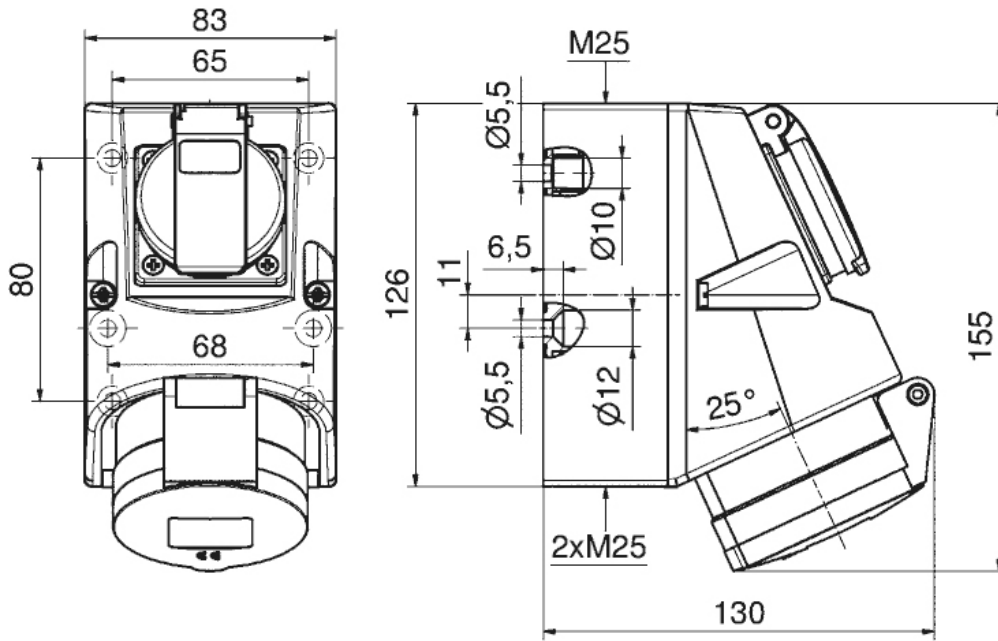


Product description	
BALS-Prd.-Nr	1010-QC
EAN	4024941948838
product category (PG)	Combined wall mounting socket outlet Quick-Connect
current (A)	16A
number of poles (P99)	5p
number of poles (P)	3p+N+PE
position of earth contact (H)	6 h
voltage (V)	200/346 up to 240/415V

Product description	
frequency (HZ)	50 and 60Hz
protection degree (SA)	IP44
colour code 1 (KF1)	red RAL 3000
Colour of appliance	Hinged lid red, Housing bottom grey, Housing top grey, Collar grey
connection design (AT)	screwless spring terminals as cage clamp with Kontext-contact
maximum conductor size (LQ)	4,0 qmm
cable entry (KE)	1xM25 top, 2xM25 bottom
Height	155mm
Width	83mm
Depth	130mm
dimension of enclosure (GG)	126x83 mm (HxW)
material of enclosure (GM)	Polyamide
contact	The contact carrier is made of polyamide, The contacts are brass

Additional technical information	
	The cable entry is one at top open and two at bottom closed, With integrated Schuko-type socket outlet 16A 230V AC German standard
	4 cut out fixing holes in the lower part of housing
	With 3x6mm ² terminals with wiring

Logistics data	
Weight/pcs	0.458 kg / Piece
Packaging	Bag
Content amount	1 ST
EAN	4024941948838
Length	130 mm
Width	83 mm
Height	155 mm
Weight	0.459 kg
Volume	1,672.45 ccm
Packaging	Carton
Content amount	10 ST
EAN	4024941959261
Length	330 mm
Width	216 mm
Height	260 mm
Weight	4.806 kg
Volume	17,062.5 ccm



1 MB 122