

## phase inverter - with screwless terminals



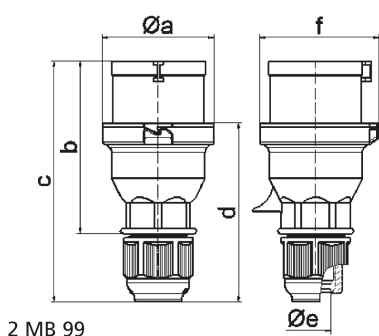
Product description	
BALS-Prd.-Nr	22052
EAN	4024941220521
product category	Quick-Connect phase inverter Multi-Grip cable gland
current	16A
number of poles	4p
number of poles	3P+PE
position of earth contact	9 h
voltage	200 up to 250V
frequency	50 and 60Hz

Product description	
protection degree	IP44
colour code	blue RAL 5015
Colour of appliance	Collar blue, Housing cover grey, Cable gland grey
connection design	screwless spring-clamp technology
maximum conductor size	2,5 qmm
cable entry	Cable gland
Height	146mm
Width	60mm
Depth	65mm
material of enclosure	Polyamide
contact	The contact carrier is made of polyamide, the contacts are brass nickel plated

Additional technical information	
	Multi-Grip cable gland with gasket and integrated strain relief, Screwless housing connection with snap fastening, For cable diameter from 8 up to max. 18 mm

Logistics data	
Weight/pcs	0.136 kg / Piece
Packaging	Bag
Content amount	1 ST
EAN	4024941220521

Logistics data	
Length	65 mm
Width	60 mm
Height	146 mm
Weight	0.137 kg
Volume	569.4 ccm
Packaging	Carton
Content amount	10 ST
EAN	4024941961448
Length	275 mm
Width	175 mm
Height	137 mm
Weight	1.485 kg
Volume	5,737.5 ccm



Ampere	16	16	16	32	32	32
Polzahl	3	4	5	3	4	5
a ø	53,0	60,0	66,0	74,5	74,5	74,5
b	93,5	100,5	103,0	121,0	121,0	121,5
c	134,0	141,0	142,0	174,0	174,0	174,5
d	97,5	104,5	105,5	128,0	128,0	128,5
e ø	18,0	18,0	18,0	23,0	23,0	23,0
f	57,5	64,5	70,5	78,0	78,0	80,0
Leiter mm <sup>2</sup> min	1	1	1	2,5	2,5	2,5
Leiter mm <sup>2</sup> max	2,5	2,5	2,5	6	6	6