

## phase inverter - with screwless terminals



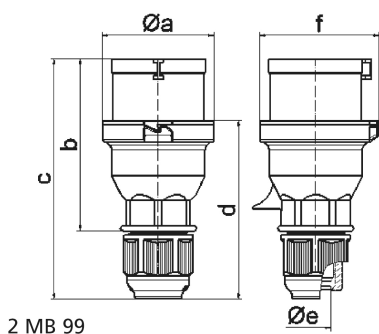
Product description	
BALS-Prd.-Nr	225
EAN	4024941002257
product category (PG)	Quick-Connect phase inverter Multi-Grip cable gland
current (A)	16A
number of poles (P99)	5p
number of poles (P)	3p+N+PE
position of earth contact (H)	6 h
voltage (V)	200/346 up to 240/415V
frequency (HZ)	50 and 60Hz

Product description	
protection degree (SA)	IP44
colour code 1 (KF1)	red RAL 3000
Colour of appliance	Housing cover red, Collar red, Cable gland grey
connection design (AT)	screwless spring-clamp technology
maximum conductor size (LQ)	2,5 qmm
cable entry (KE)	Cable gland
Height	147mm
Width	71mm
Depth	75mm
material of enclosure (GM)	Polyamide
contact	The contact carrier is made of polyamide, the contacts are brass nickel plated

Additional technical information	
	Multi-Grip cable gland with gasket and integrated strain relief, Screwless housing connection with snap fastening, For cable diameter from 8 up to max. 18 mm

Logistics data	
Weight/pcs	0.176 kg / Piece
Packaging	Carton
Content amount	10 ST
EAN	4024941958127

Logistics data	
Length	275 mm
Width	175 mm
Height	137 mm
Weight	1.885 kg
Volume	5,737.5 ccm



2 MB 99

Ampere	16	16	16	32	32	32
Polzahl	3	4	5	3	4	5
a ø	53,0	60,0	66,0	74,5	74,5	74,5
b	93,5	100,5	103,0	121,0	121,0	121,5
c	134,0	141,0	142,0	174,0	174,0	174,5
d	97,5	104,5	105,5	128,0	128,0	128,5
e ø	18,0	18,0	18,0	23,0	23,0	23,0
f	57,5	64,5	70,5	78,0	78,0	80,0
Leiter mm <sup>2</sup> min	1	1	1	2,5	2,5	2,5
Leiter mm <sup>2</sup> max	2,5	2,5	2,5	6	6	6