

phase inverter - with screwless terminals



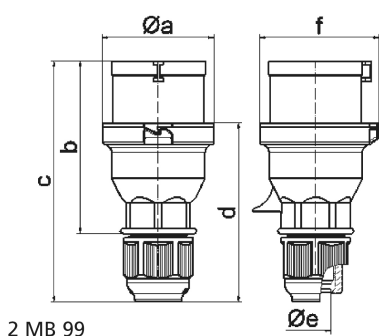
Product description	
BALS-Prd.-Nr	22054
EAN	4024941220545
product category	Quick-Connect phase inverter Multi-Grip cable gland
current	32A
number of poles	4p
number of poles	3P+PE
position of earth contact	9 h
voltage	200 up to 250V
frequency	50 and 60Hz

Product description	
protection degree	IP44
colour code	blue RAL 5015
Colour of appliance	Collar blue, Housing cover grey, Cable gland grey
connection design	screwless spring-clamp technology
maximum conductor size	6,0 qmm
cable entry	Cable gland
Height	176mm
Width	79mm
Depth	83mm
material of enclosure	Polyamide
contact	The contact carrier is made of polyamide, the contacts are brass nickel plated

Additional technical information	
	Multi-Grip cable gland with gasket and integrated strain relief, Screwless housing connection with snap fastening, For cable diameter from 11 up to max. 23,5 mm

Logistics data	
Weight/pcs	0.24 kg / Piece
Packaging	Bag
Content amount	1 ST
EAN	4024941220545

Logistics data	
Length	83 mm
Width	79 mm
Height	176 mm
Weight	0.241 kg
Volume	1,154.032 ccm
Packaging	Carton
Content amount	10 ST
EAN	4024941970167
Length	295 mm
Width	185 mm
Height	215 mm
Weight	2.564 kg
Volume	9,975 ccm



2 MB 99

Ampere	16	16	16	32	32	32
Polzahl	3	4	5	3	4	5
a ø	53,0	60,0	66,0	74,5	74,5	74,5
b	93,5	100,5	103,0	121,0	121,0	121,5
c	134,0	141,0	142,0	174,0	174,0	174,5
d	97,5	104,5	105,5	128,0	128,0	128,5
e ø	18,0	18,0	18,0	23,0	23,0	23,0
f	57,5	64,5	70,5	78,0	78,0	80,0
Leiter mm ² min	1	1	1	2,5	2,5	2,5
Leiter mm ² max	2,5	2,5	2,5	6	6	6