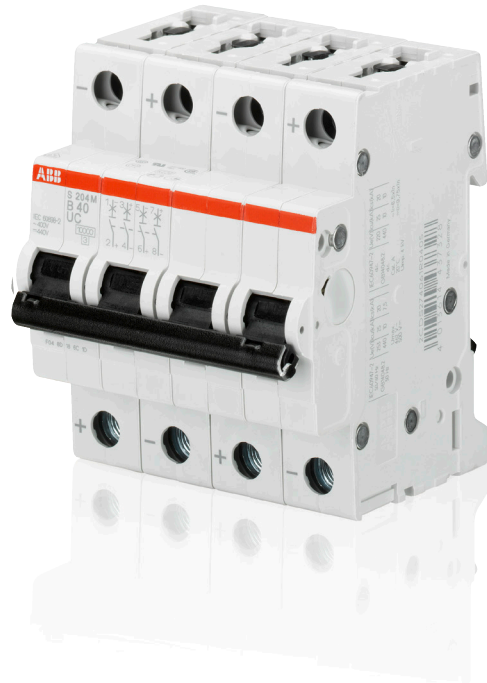


System pro M compact® Miniature Circuit Breaker S 200 M UC for DC and AC applications



2CDC0021031S0011



2CDC0021033S0011

The miniature circuit breaker S 200 M UC extends the established ABB System pro M compact® product range with an MCB for DC and AC applications. The S 200 M UC impresses with its performance range and the accordingly large amount of approvals. Its high inbuilt short circuit breaking capacity across the entire model line, its flexible AC and DC application and its approval and compliance in accordance with all major international and local standards make it truly unique.

All current System pro M compact® accessories can be combined easily with the new model line. Whether warehousing or project engineering, planning, installing or maintaining your equipment, the S 200 M UC is a simple and flexible solution.

Standards and approvals

Standards

IEC/EN 60898-2
IEC/EN 60947-2
UL 1077
CSA 22.2 No.235
GB 10963.2 (on request)
GB 14048.2 (on request)

Approvals

VDE	DE
UL 1077	US
CSA 22.2 No.235	CA
CCC	PRC
GL	DE
BV	FR
LRS	GB
DNV	NO
RINA	IT
SABS	SA (on request)
CCS	PRC (on request)
RMRS	RU
EAC	RU
GOST Fire	RU
IMQ	IT
KEMA	NL

Power and productivity
for a better world™



Miniature Circuit Breaker S 200 M UC

Technical data

General Data	
Standards	IEC/EN 60898-2, IEC/EN 60947-2, UL1077, CSA 22.2 No. 235
Poles	1P, 2P, 3P, 4P
Rated current I_n	0.2 - 63 A
Rated frequency f	0/50/60 Hz
Rated insulation voltage U_i	253 V AC (phase to ground), 440 V AC (phase to phase)
Overvoltage Category	III
Pollution Degree	2
IEC/EN 60898-2	
Tripping characteristics	B, C
Rated operational voltage U_n	1P: 230 V AC, 220 V DC 2P: 400 V AC, 440 V DC 3...4P: 400 V AC*
Max. power frequency recovery voltage U_{max}	1P: 253 V AC, 250 V DC 2P: 440 V AC, 500 V DC 3...4P: 440 V AC*
Min. operating voltage	12 V AC – 12 V DC
Rated short-circuit capacity I_{cn}	10 kA
Energy limiting class (B, C up to 40A)	3
Rated impulse withstand voltage U_{imp} (1.2/50µs)	4 kV (test voltage 6.2 kV at sea level; 5 kV at 2,000 m)
Dielectric test voltage	2.0 kV (50/60 Hz, 1 min)
Reference temperature for tripping characteristics	30 °C
Electrical endurance	$I_n \leq 25$ A: 20,000 ops. (AC), $I_n > 25$ A: 10,000 ops. (AC); 1,000 ops. (DC)
IEC/EN 60947-2	
Tripping Characteristics	B, C, K, Z
Rated operational voltage U_e	1P: 253 V AC, 220 V DC 2...4P: 440 V AC, 440 V DC
Max. power frequency recovery voltage U_{max}	1P: 266 V AC, 250 V DC 2...4P: 462 V AC, 500 V DC
Min. operating voltage	12 V AC – 12 V DC
Rated ultimate short-circuit breaking capacity I_{cu}	≤ 40 A: 10 kA (AC); 10 kA (DC) >40 A: 6 kA (AC); 10 kA (DC)
Rated service short-circuit breaking capacity I_{cs}	≤ 40 A: 7.5 kA (AC); 10 kA (DC) >40 A: 6 kA (AC); 10 kA (DC)
Rated impulse withstand voltage U_{imp} (1.2/50µs)	4 kV (test voltage 6.2 kV at sea level; 5 kV at 2,000 m)
Dielectric test voltage	2.0 kV (50/60 Hz, 1 min)
Reference temperature for tripping characteristics B, C	55 °C
K, Z	20 °C
Electrical endurance	$I_n \leq 25$ A: 20,000 ops. (AC), $I_n > 25$ A: 10,000 ops. (AC); 1,500 ops. (DC)
UL1077 / CSA 22.2 No. 235	
Tripping Characteristics	C, K, Z
Rated voltage	1P: 277 V AC, 250 V DC 2...4P: 480Y/277 V AC, 500 V DC
Rated interrupting capacity	6 kA (AC); 10 kA (DC)
Application	Suppl. prot., for general use. TC1, OL0, SC:U1
Reference temperature for tripping characteristics	25 °C
Electrical endurance	6,000 ops., 1 cycle (1s.-ON, 9s.-OFF)

* only acc. to IEC/EN 60898-1

Miniature Circuit Breaker S 200 M UC

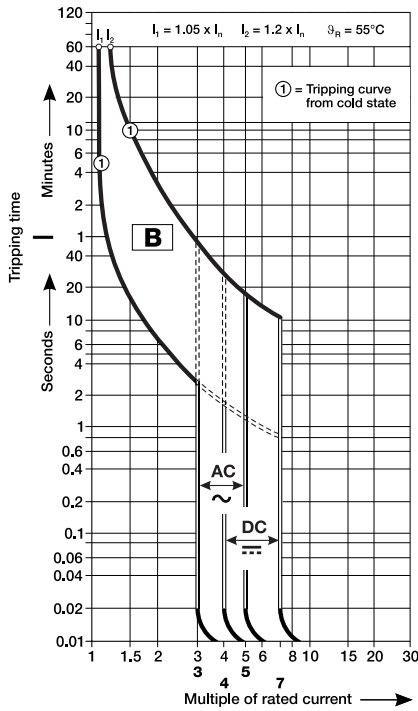
Technical data

Mechanical data	
Housing	Insulation group I, RAL 7035
Toggle	Insulation group II, black, sealable
Contact position indication	Real CPI (green OFF / red ON)
Protection degree acc. to DIN EN 60529	IP20, IP40 in enclosure with cover
Mechanical endurance	20,000 ops.
Shock resistance acc. to IEC/EN 60068-2-27	25 g - 2 shocks - 13 ms
Vibration resistance acc. to IEC/EN 60068-2-6	5 g - 20 cycles at 5 ... 150 ... 5 Hz at 0.8 I _n
Environmental conditions (damp heat cyclic) acc. to IEC/EN 60068-2-30	28 cycles with 55 °C/90-96 % and 25 °C/95-100 %
Ambient temperature	-25 ... +55 °C
Storage temperature	-40 ... +70 °C
Installation	
Terminal	Failsafe bi-directional cylinder-lift terminal
Cross-section of conductors (top/bottom)	solid, stranded: 35 mm ² / 35 mm ² flexible: 25 mm ² / 25 mm ² 14 – 4 AWG (Cu only)
Cross-section of busbars (top/bottom)	10 mm ² / 10 mm ² 14 – 8 AWG
Torque	IEC 2.8 Nm UL 18 in-lbs.
Screw driver	No. 2 Pozidriv
Mounting	on DIN rail 35 mm, acc. to EN 60715 by fast clip
Mounting position	any
Supply	Please note polarity of device
Dimensions and weight	
Mounting dimensions acc. to DIN 43880	1
Pole dimensions (H x D x W)	85 x 69 x 17.5
Pole weight	approx. 125 g
Combination with auxiliary elements	
Auxiliary contact	Yes
Signal contact	Yes
Shunt trip	Yes
Undervoltage release	Yes
Motor operating device	Yes

Miniature Circuit Breaker S 200 M UC

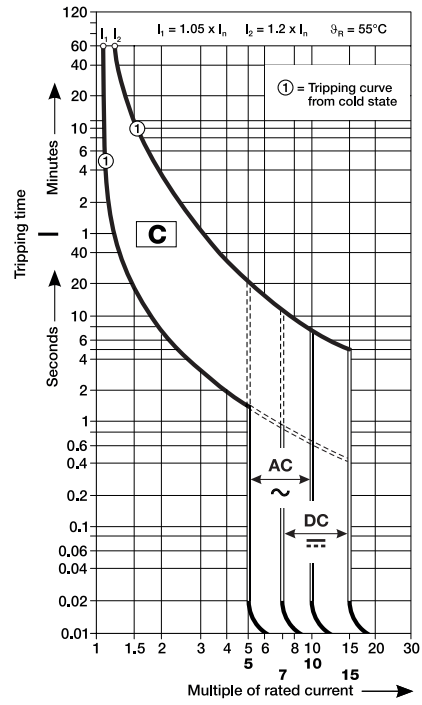
Tripping characteristics

B characteristic



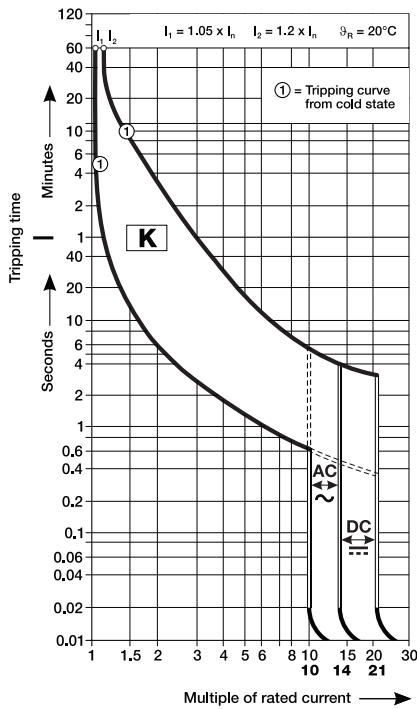
2CDC0022015F0214

C characteristic



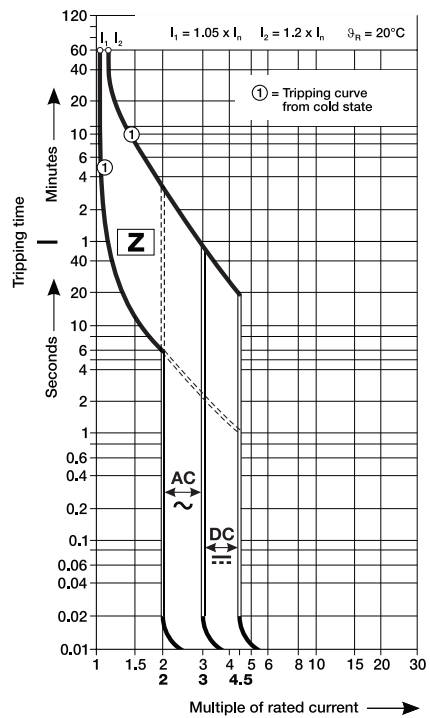
2CDC0022017F0214

K characteristic



2CDC0022010F0211

Z characteristic



2CDC0022060F0211

Miniature Circuit Breaker S 200 M UC

Derating

For installations of miniature circuit breakers at other temperatures than the reference value and installations of several miniature circuit breakers directly side by side, derating factors have to be considered.

Deviating ambient temperature

The rated value of the current of a miniature circuit breaker refers to a temperature of 20 °C for circuit-breakers with characteristics K and Z and 30 °C for characteristics B and C. The following table contains the derating of load capability of S 200 M UC MCBs with temperature from -40 °C to 70 °C for the curves B, C, K, and Z.

Tripping characteristics	Rated current I_n	Maximum operating current at ambient temperature T											
		°C	- 40	- 30	- 20	- 10	0	10	20	30	40	50	60
B, C	0.5	0.61	0.59	0.58	0.56	0.55	0.53	0.52	0.50	0.49	0.47	0.46	0.44
	1.0	1.21	1.18	1.15	1.12	1.09	1.06	1.03	1.00	0.97	0.94	0.91	0.88
	1.6	1.94	1.89	1.84	1.79	1.74	1.70	1.65	1.60	1.55	1.50	1.46	1.41
	2.0	2.42	2.36	2.30	2.24	2.18	2.12	2.06	2.00	1.94	1.88	1.82	1.76
	3.0	3.63	3.54	3.45	3.36	3.27	3.18	3.09	3.00	2.91	2.82	2.73	2.64
	4.0	4.84	4.72	4.60	4.48	4.36	4.24	4.12	4.00	3.88	3.76	3.64	3.52
	6.0	7.26	7.08	6.90	6.72	6.54	6.36	6.18	6.00	5.82	5.64	5.46	5.28
	8.0	9.68	9.44	9.20	8.96	8.72	8.48	8.24	8.00	7.76	7.52	7.28	7.04
	10.0	12.10	11.80	11.50	11.20	10.90	10.60	10.30	10.00	9.70	9.40	9.10	8.80
	13.0	15.70	15.30	15.00	14.60	14.20	13.80	13.40	13.00	12.60	12.20	11.80	11.40
	16.0	19.40	18.90	18.40	17.90	17.40	17.00	16.50	16.00	15.50	15.00	14.60	14.10
	20.0	24.20	23.60	23.00	22.40	21.80	21.20	20.60	20.00	19.40	18.80	18.20	17.60
	25.0	30.30	29.50	28.80	28.00	27.30	26.50	25.80	25.00	24.30	23.50	22.80	22.00
	32.0	38.70	37.80	36.80	35.80	34.90	33.90	33.00	32.00	31.00	30.10	29.10	28.20
	40.0	48.40	47.20	46.00	44.80	43.60	42.40	41.20	40.00	38.80	37.60	36.40	35.20
50.0	60.50	59.00	57.50	56.00	54.50	53.00	51.50	50.00	48.50	47.00	45.50	44.00	
63.0	76.20	74.30	72.50	70.60	68.70	66.80	64.90	63.00	61.10	59.20	57.30	55.40	
K, Z	0.5	0.59	0.58	0.56	0.55	0.53	0.52	0.50	0.49	0.47	0.46	0.45	0.44
	1.0	1.18	1.15	1.12	1.09	1.06	1.03	1.00	0.97	0.94	0.91	0.88	0.85
	1.6	1.89	1.84	1.79	1.74	1.7	1.65	1.60	1.55	1.50	1.46	1.42	1.38
	2.0	2.36	2.3	2.24	2.18	2.12	2.06	2.00	1.94	1.88	1.82	1.77	1.72
	3.0	3.54	3.45	3.36	3.27	3.18	3.09	3.00	2.91	2.82	2.73	2.65	2.57
	4.0	4.72	4.60	4.48	4.36	4.24	4.12	4.00	3.88	3.76	3.64	3.53	3.42
	6.0	7.08	6.90	6.72	6.54	6.36	6.18	6.00	5.82	5.64	5.46	5.30	5.14
	8.0	9.44	9.20	8.96	8.72	8.48	8.24	8.00	7.76	7.52	7.28	7.06	6.85
	10.0	11.80	11.50	11.20	10.90	10.60	10.30	10.00	9.70	9.40	9.10	8.83	8.57
	13.0	15.30	15.00	14.60	14.20	13.80	13.40	13.00	12.60	12.20	11.80	11.45	11.11
	16.0	18.90	18.40	17.90	17.40	17.00	16.50	16.00	15.50	15.00	14.60	14.16	13.74
	20.0	23.60	23.00	22.40	21.80	21.20	20.60	20.00	19.40	18.80	18.20	17.65	17.12
	25.0	29.50	28.80	28.00	27.30	26.50	25.80	25.00	24.30	23.50	22.80	22.12	21.46
	32.0	37.80	36.80	35.80	34.90	33.90	33.00	32.00	31.00	30.10	29.10	28.23	27.38
	40.0	47.20	46.00	44.80	43.60	42.40	41.20	40.00	38.80	37.60	36.40	35.31	34.25
50.0	59.00	57.50	56.00	54.50	53.00	51.50	50.00	48.50	47.00	45.50	44.14	42.82	
63.0	74.30	72.50	70.60	68.70	66.80	64.90	63.00	61.10	59.20	57.30	55.58	53.91	

Influence of adjacent devices

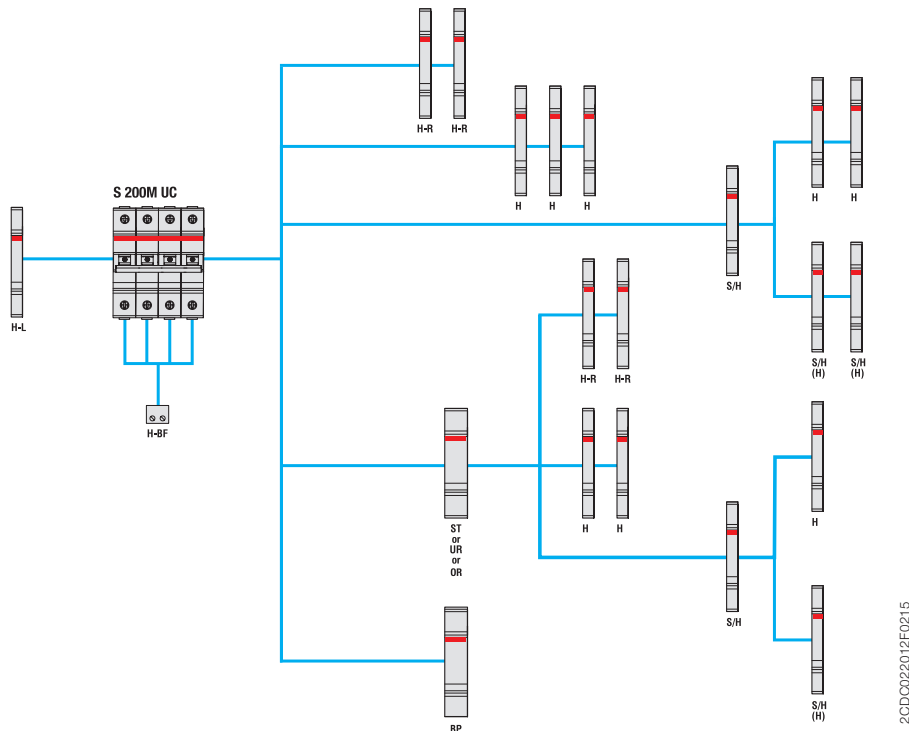
If several miniature circuit breakers are installed directly side by side with high load on all poles, a correction factor must be applied to the rated current (see table). If distance pieces are used, the factor is not to be considered.

No. of adjacent devices	Factor F
1	1
2, 3	0.9
4, 5	0.8
≥ 6	0.75

Miniature Circuit Breaker S 200 M UC

Accessories and dimensional drawings

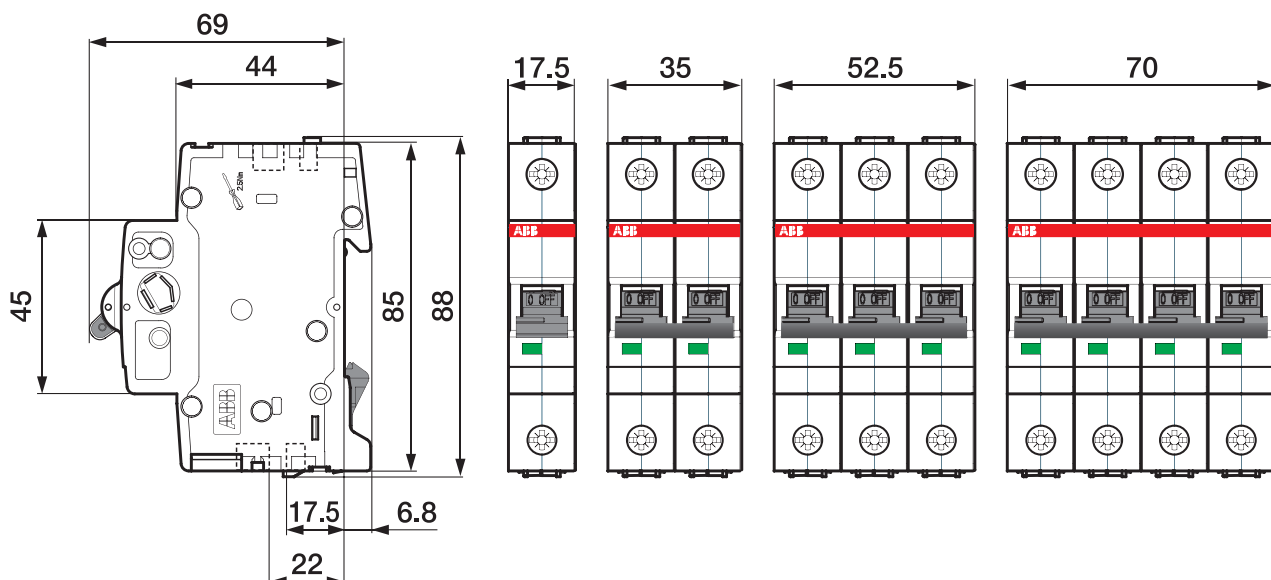
Accessory* overview



H	Auxiliary contact	S2C-H6R	OR	Overtoltage release	S2C-OVP
H-R	Auxiliary contact	S2C-H6-...R	ST-L	Shunt trip to be mounted on the left	S2C-A...L
S/H	Signal/Auxiliary contact	S2C-S/H6R	H-L	Auxiliary contact to be mounted on the left	S2C-H...L
S/H (H)	Signal/Auxiliary contact used as auxiliary contact	S2C-S/H6R	H-BF	Auxiliary contact for bottom fitting (1 for each pole of MCB)	S2C-H01/S2C-H10
ST	Shunt trip	S2C-A...	BP	Mechanical tripping device	S2C-BP
UR	Undervoltage release	S2C-UA			

* Please check the technical datasheet of the accessories also for electrical endurance.

Dimensional drawing



2CDC022007F0010

Miniature Circuit Breaker S 200 M UC

Use of MCBs in direct current circuits

S 200 M UC MCBs can be used in the one-pole version at 220 V DC, and in the 2-pole or 4-pole version with series connection of two poles up to 440 V DC.

S 200 M UC differs from the standard S 200 type as it is fitted with permanent magnets, which assists in the forced extinguishing of the arc.

If voltages to earth exceeding 220 V DC may occur, 2-pole S 200 M UC is to be used for one-pole disconnection, and four-pole S 200 M UC for all-pole disconnection.

For DC incoming supply from above

S 200 M UC MCBs have, in the area of arc chutes, permanent magnets. It is therefore necessary to take into account the polarity during the installation process.

Doing so ensures that in the case of a short circuit the magnetic field of the permanent magnets corresponds with the electromagnetic field of the short-circuit current, therefore safely leading the short circuit into the arc chute.

Incorrect polarities may cause damage to the MCB. This is why – in the case of top-fed devices – terminal 1 must be connected to (-) and terminal 3 to (+).

Example for permissible voltages between the conductors depending on the number of poles and circuit layout:

voltage between conductors U_n	220 V-	440 V-	440 V-	440 V-	440 V- (voltage reversal)
voltage between conductor and earth U_n	220 V-	220 V-	440 V-	220 V-	220 V-
MCB	1-pole S 201 M UC	2-pole S 202 M UC	2-pole S 202 M UC	2-pole S 202 M UC	4-pole S 204 M UC
supply from below					
supply from above					

SK 0114 Z 94

SK 0115 Z 94

Examples for different voltage levels between conductor and earth in the case of identical voltage between conductors:

voltage between conductors U_n	440 V- all-pole disconnection	440 V- 1-pole disconnection	440 V- all-pole disconnection
voltage between conductor and earth U_n	220 V- circuit symmetrically earthed	440 V- circuit unsymmetrically earthed	440 V- circuit unearthed or unsymmetrically earthed
MCB	2-pole S 202 M UC	2-pole S 202 M UC	4-pole S 204 M UC

SK 0196 Z 98

① in the circuit diagram, the negative pole is earthed.

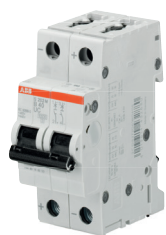
② in the circuit diagram, the positive pole is earthed.

Miniature Circuit Breaker S 200 M UC

Ordering data characteristic B



2CDC021031S0011



2CDC021035S0011



2CDC021034S0011



2CDC021033S0011

Number of poles	Rated current I_n A	EAN 401361	Type	Order code	Packing unit	Weight 1 PC
					PCS	kg
1	6	4430596	S201M-B6UC	2CDS271061R0065	10	0.125
	10	4430602	S201M-B10UC	2CDS271061R0105	10	0.125
	13	4430619	S201M-B13UC	2CDS271061R0135	10	0.125
	16	4430626	S201M-B16UC	2CDS271061R0165	10	0.125
	20	4430633	S201M-B20UC	2CDS271061R0205	10	0.125
	25	4430640	S201M-B25UC	2CDS271061R0255	10	0.125
	32	4430657	S201M-B32UC	2CDS271061R0325	10	0.125
	40	4430664	S201M-B40UC	2CDS271061R0405	10	0.125
	50	4430671	S201M-B50UC	2CDS271061R0505	10	0.125
	63	4430688	S201M-B63UC	2CDS271061R0635	10	0.125
2	6	4432811	S202M-B6UC	2CDS272061R0065	5	0.250
	10	4432828	S202M-B10UC	2CDS272061R0105	5	0.250
	13	4432835	S202M-B13UC	2CDS272061R0135	5	0.250
	16	4432842	S202M-B16UC	2CDS272061R0165	5	0.250
	20	4432859	S202M-B20UC	2CDS272061R0205	5	0.250
	25	4432866	S202M-B25UC	2CDS272061R0255	5	0.250
	32	4432873	S202M-B32UC	2CDS272061R0325	5	0.250
	40	4432880	S202M-B40UC	2CDS272061R0405	5	0.250
	50	4432897	S202M-B50UC	2CDS272061R0505	5	0.250
	63	4432903	S202M-B63UC	2CDS272061R0635	5	0.250
3	6	4435034	S203M-B6UC	2CDS273061R0065	1	0.375
	10	4435041	S203M-B10UC	2CDS273061R0105	1	0.375
	13	4435058	S203M-B13UC	2CDS273061R0135	1	0.375
	16	4435065	S203M-B16UC	2CDS273061R0165	1	0.375
	20	4435072	S203M-B20UC	2CDS273061R0205	1	0.375
	25	4435089	S203M-B25UC	2CDS273061R0255	1	0.375
	32	4435096	S203M-B32UC	2CDS273061R0325	1	0.375
	40	4435102	S203M-B40UC	2CDS273061R0405	1	0.375
	50	4435119	S203M-B50UC	2CDS273061R0505	1	0.375
	63	4435126	S203M-B63UC	2CDS273061R0635	1	0.375
4	6	4437250	S204M-B6UC	2CDS274061R0065	1	0.500
	10	4437267	S204M-B10UC	2CDS274061R0105	1	0.500
	13	4437274	S204M-B13UC	2CDS274061R0135	1	0.500
	16	4437281	S204M-B16UC	2CDS274061R0165	1	0.500
	20	4437298	S204M-B20UC	2CDS274061R0205	1	0.500
	25	4437304	S204M-B25UC	2CDS274061R0255	1	0.500
	32	4437311	S204M-B32UC	2CDS274061R0325	1	0.500
	40	4437328	S204M-B40UC	2CDS274061R0405	1	0.500
	50	4437335	S204M-B50UC	2CDS274061R0505	1	0.500
	63	4437342	S204M-B63UC	2CDS274061R0635	1	0.500

Miniature Circuit Breaker S 200 M UC

Ordering data characteristic C



2CDC021031S0011



2CDC021035S0011



2CDC021034S0011

Number of poles	Rated current I_n A	EAN 401361	Type	Order code	Packing unit	Weight 1 PC
					PCS	kg
1	0.5	4430695	S201M-C0.5UC	2CDS271061R0984	10	0.125
	1	4430701	S201M-C1UC	2CDS271061R0014	10	0.125
	1.6	4430718	S201M-C1.6UC	2CDS271061R0974	10	0.125
	2	4430725	S201M-C2UC	2CDS271061R0024	10	0.125
	3	4430732	S201M-C3UC	2CDS271061R0034	10	0.125
	4	4430749	S201M-C4UC	2CDS271061R0044	10	0.125
	6	4430756	S201M-C6UC	2CDS271061R0064	10	0.125
	8	4430763	S201M-C8UC	2CDS271061R0084	10	0.125
	10	4430770	S201M-C10UC	2CDS271061R0104	10	0.125
	13	4430787	S201M-C13UC	2CDS271061R0134	10	0.125
	16	4430794	S201M-C16UC	2CDS271061R0164	10	0.125
	20	4430800	S201M-C20UC	2CDS271061R0204	10	0.125
	25	4430817	S201M-C25UC	2CDS271061R0254	10	0.125
	32	4430824	S201M-C32UC	2CDS271061R0324	10	0.125
	40	4430831	S201M-C40UC	2CDS271061R0404	10	0.125
	50	4430848	S201M-C50UC	2CDS271061R0504	10	0.125
63	4430855	S201M-C63UC	2CDS271061R0634	10	0.125	
2	0.5	4432910	S202M-C0.5UC	2CDS272061R0984	5	0.250
	1	4432927	S202M-C1UC	2CDS272061R0014	5	0.250
	1.6	4432934	S202M-C1.6UC	2CDS272061R0974	5	0.250
	2	4432941	S202M-C2UC	2CDS272061R0024	5	0.250
	3	4432958	S202M-C3UC	2CDS272061R0034	5	0.250
	4	4432965	S202M-C4UC	2CDS272061R0044	5	0.250
	6	4432972	S202M-C6UC	2CDS272061R0064	5	0.250
	8	4432989	S202M-C8UC	2CDS272061R0084	5	0.250
	10	4432996	S202M-C10UC	2CDS272061R0104	5	0.250
	13	4433009	S202M-C13UC	2CDS272061R0134	5	0.250
	16	4433016	S202M-C16UC	2CDS272061R0164	5	0.250
	20	4433023	S202M-C20UC	2CDS272061R0204	5	0.250
	25	4433030	S202M-C25UC	2CDS272061R0254	5	0.250
	32	4433047	S202M-C32UC	2CDS272061R0324	5	0.250
	40	4433054	S202M-C40UC	2CDS272061R0404	5	0.250
	50	4433061	S202M-C50UC	2CDS272061R0504	5	0.250
63	4433078	S202M-C63UC	2CDS272061R0634	5	0.250	
3	0.5	4435133	S203M-C0.5UC	2CDS273061R0984	1	0.375
	1	4435140	S203M-C1UC	2CDS273061R0014	1	0.375
	1.6	4435157	S203M-C1.6UC	2CDS273061R0974	1	0.375
	2	4435164	S203M-C2UC	2CDS273061R0024	1	0.375
	3	4435171	S203M-C3UC	2CDS273061R0034	1	0.375
	4	4435188	S203M-C4UC	2CDS273061R0044	1	0.375
	6	4435195	S203M-C6UC	2CDS273061R0064	1	0.375
	8	4435201	S203M-C8UC	2CDS273061R0084	1	0.375
	10	4435218	S203M-C10UC	2CDS273061R0104	1	0.375
	13	4435225	S203M-C13UC	2CDS273061R0134	1	0.375
	16	4435232	S203M-C16UC	2CDS273061R0164	1	0.375
	20	4435249	S203M-C20UC	2CDS273061R0204	1	0.375
	25	4435256	S203M-C25UC	2CDS273061R0254	1	0.375
	32	4435263	S203M-C32UC	2CDS273061R0324	1	0.375
	40	4435270	S203M-C40UC	2CDS273061R0404	1	0.375
	50	4435287	S203M-C50UC	2CDS273061R0504	1	0.375
63	4435294	S203M-C63UC	2CDS273061R0634	1	0.375	

Miniature Circuit Breaker S 200 M UC

Ordering data characteristic C



2CDC021033S0011

Number of poles	Rated current I_n A	EAN 401361	Type	Order code	Packing unit	Weight
					PCS	1 PC
4	0.5	4437359	S204M-C0.5UC	2CDS274061R0984	1	0.500
	1	4437366	S204M-C1UC	2CDS274061R0014	1	0.500
	1.6	4437373	S204M-C1.6UC	2CDS274061R0974	1	0.500
	2	4437380	S204M-C2UC	2CDS274061R0024	1	0.500
	3	4437397	S204M-C3UC	2CDS274061R0034	1	0.500
	4	4437403	S204M-C4UC	2CDS274061R0044	1	0.500
	6	4437410	S204M-C6UC	2CDS274061R0064	1	0.500
	8	4437427	S204M-C8UC	2CDS274061R0084	1	0.500
	10	4437434	S204M-C10UC	2CDS274061R0104	1	0.500
	13	4437441	S204M-C13UC	2CDS274061R0134	1	0.500
	16	4437458	S204M-C16UC	2CDS274061R0164	1	0.500
	20	4437465	S204M-C20UC	2CDS274061R0204	1	0.500
	25	4437472	S204M-C25UC	2CDS274061R0254	1	0.500
	32	4437489	S204M-C32UC	2CDS274061R0324	1	0.500
	40	4437496	S204M-C40UC	2CDS274061R0404	1	0.500
	50	4437502	S204M-C50UC	2CDS274061R0504	1	0.500
63	4437519	S204M-C63UC	2CDS274061R0634	1	0.500	

Miniature Circuit Breaker S 200 M UC

Ordering data characteristic K



2CDC021022S0012



2CDC021027S0012

Number of poles	Rated current I_n A	EAN 401361	Type	Order code	Packing unit	Weight
					PCS	1 PC kg
1	0.2	4430862	S201M-K0.2UC	2CDS271061R0087	10	0.125
	0.3	4430879	S201M-K0.3UC	2CDS271061R0117	10	0.125
	0.5	4430886	S201M-K0.5UC	2CDS271061R0157	10	0.125
	0.75	4430893	S201M-K0.75UC	2CDS271061R0187	10	0.125
	1	4430909	S201M-K1UC	2CDS271061R0217	10	0.125
	1.6	4430916	S201M-K1.6UC	2CDS271061R0257	10	0.125
	2	4430923	S201M-K2UC	2CDS271061R0277	10	0.125
	3	4430930	S201M-K3UC	2CDS271061R0317	10	0.125
	4	4430947	S201M-K4UC	2CDS271061R0337	10	0.125
	5	4430954	S201M-K5UC	2CDS271061R0357	10	0.125
	6	4430961	S201M-K6UC	2CDS271061R0377	10	0.125
	8	4430978	S201M-K8UC	2CDS271061R0407	10	0.125
	10	4430985	S201M-K10UC	2CDS271061R0427	10	0.125
	13	4430992	S201M-K13UC	2CDS271061R0447	10	0.125
	15	4431005	S201M-K15UC	2CDS271061R0457	10	0.125
	16	4431012	S201M-K16UC	2CDS271061R0467	10	0.125
	20	4431029	S201M-K20UC	2CDS271061R0487	10	0.125
	25	4431036	S201M-K25UC	2CDS271061R0517	10	0.125
	30	4431043	S201M-K30UC	2CDS271061R0527	10	0.125
	32	4431050	S201M-K32UC	2CDS271061R0537	10	0.125
	35	4431067	S201M-K35UC	2CDS271061R0547	10	0.125
	40	4431074	S201M-K40UC	2CDS271061R0557	10	0.125
	50	4431081	S201M-K50UC	2CDS271061R0577	10	0.125
60	4431098	S201M-K60UC	2CDS271061R0587	10	0.125	
63	4431104	S201M-K63UC	2CDS271061R0607	10	0.125	
2	0.2	4433085	S202M-K0.2UC	2CDS272061R0087	5	0.250
	0.3	4433092	S202M-K0.3UC	2CDS272061R0117	5	0.250
	0.5	4433108	S202M-K0.5UC	2CDS272061R0157	5	0.250
	0.75	4433115	S202M-K0.75UC	2CDS272061R0187	5	0.250
	1	4433122	S202M-K1UC	2CDS272061R0217	5	0.250
	1.6	4433139	S202M-K1.6UC	2CDS272061R0257	5	0.250
	2	4433146	S202M-K2UC	2CDS272061R0277	5	0.250
	3	4433153	S202M-K3UC	2CDS272061R0317	5	0.250
	4	4433160	S202M-K4UC	2CDS272061R0337	5	0.250
	5	4433177	S202M-K5UC	2CDS272061R0357	5	0.250
	6	4433184	S202M-K6UC	2CDS272061R0377	5	0.250
	8	4433191	S202M-K8UC	2CDS272061R0407	5	0.250
	10	4433207	S202M-K10UC	2CDS272061R0427	5	0.250
	13	4433214	S202M-K13UC	2CDS272061R0447	5	0.250
	15	4433221	S202M-K15UC	2CDS272061R0457	5	0.250
	16	4433238	S202M-K16UC	2CDS272061R0467	5	0.250
	20	4433245	S202M-K20UC	2CDS272061R0487	5	0.250
	25	4433252	S202M-K25UC	2CDS272061R0517	5	0.250
	30	4433269	S202M-K30UC	2CDS272061R0527	5	0.250
	32	4433276	S202M-K32UC	2CDS272061R0537	5	0.250
	35	4433283	S202M-K35UC	2CDS272061R0547	5	0.250
	40	4433290	S202M-K40UC	2CDS272061R0557	5	0.250
	50	4433306	S202M-K50UC	2CDS272061R0577	5	0.250
60	4433313	S202M-K60UC	2CDS272061R0587	5	0.250	
63	4433320	S202M-K63UC	2CDS272061R0607	5	0.250	

Miniature Circuit Breaker S 200 M UC

Ordering data characteristic K



2CDC02102850012



2CDC02102950012

Number of poles	Rated current I_n A	EAN 401361	Type	Order code	Packing unit	Weight
					PCS	1 PC
					PCS	kg
3	0.2	4435300	S203M-K0.2UC	2CDS273061R0087	1	0.375
	0.3	4435317	S203M-K0.3UC	2CDS273061R0117	1	0.375
	0.5	4435324	S203M-K0.5UC	2CDS273061R0157	1	0.375
	0.75	4435331	S203M-K0.75UC	2CDS273061R0187	1	0.375
	1	4435348	S203M-K1UC	2CDS273061R0217	1	0.375
	1.6	4435355	S203M-K1.6UC	2CDS273061R0257	1	0.375
	2	4435362	S203M-K2UC	2CDS273061R0277	1	0.375
	3	4435379	S203M-K3UC	2CDS273061R0317	1	0.375
	4	4435386	S203M-K4UC	2CDS273061R0337	1	0.375
	5	4435393	S203M-K5UC	2CDS273061R0357	1	0.375
	6	4435409	S203M-K6UC	2CDS273061R0377	1	0.375
	8	4435416	S203M-K8UC	2CDS273061R0407	1	0.375
	10	4435423	S203M-K10UC	2CDS273061R0427	1	0.375
	13	4435430	S203M-K13UC	2CDS273061R0447	1	0.375
	15	4435447	S203M-K15UC	2CDS273061R0457	1	0.375
	16	4435454	S203M-K16UC	2CDS273061R0467	1	0.375
	20	4435461	S203M-K20UC	2CDS273061R0487	1	0.375
	25	4435478	S203M-K25UC	2CDS273061R0517	1	0.375
	30	4435485	S203M-K30UC	2CDS273061R0527	1	0.375
	32	4435492	S203M-K32UC	2CDS273061R0537	1	0.375
	35	4435508	S203M-K35UC	2CDS273061R0547	1	0.375
	40	4435515	S203M-K40UC	2CDS273061R0557	1	0.375
	50	4435522	S203M-K50UC	2CDS273061R0577	1	0.375
60	4435539	S203M-K60UC	2CDS273061R0587	1	0.375	
63	4435546	S203M-K63UC	2CDS273061R0607	1	0.375	
4	0.2	4437526	S204M-K0.2UC	2CDS274061R0087	1	0.500
	0.3	4437533	S204M-K0.3UC	2CDS274061R0117	1	0.500
	0.5	4437540	S204M-K0.5UC	2CDS274061R0157	1	0.500
	0.75	4437557	S204M-K0.75UC	2CDS274061R0187	1	0.500
	1	4437564	S204M-K1UC	2CDS274061R0217	1	0.500
	1.6	4437571	S204M-K1.6UC	2CDS274061R0257	1	0.500
	2	4437588	S204M-K2UC	2CDS274061R0277	1	0.500
	3	4437595	S204M-K3UC	2CDS274061R0317	1	0.500
	4	4437601	S204M-K4UC	2CDS274061R0337	1	0.500
	5	4437618	S204M-K5UC	2CDS274061R0357	1	0.500
	6	4437625	S204M-K6UC	2CDS274061R0377	1	0.500
	8	4437632	S204M-K8UC	2CDS274061R0407	1	0.500
	10	4437649	S204M-K10UC	2CDS274061R0427	1	0.500
	13	4437656	S204M-K13UC	2CDS274061R0447	1	0.500
	15	4437663	S204M-K15UC	2CDS274061R0457	1	0.500
	16	4437670	S204M-K16UC	2CDS274061R0467	1	0.500
	20	4437687	S204M-K20UC	2CDS274061R0487	1	0.500
	25	4437694	S204M-K25UC	2CDS274061R0517	1	0.500
	30	4437700	S204M-K30UC	2CDS274061R0527	1	0.500
	32	4437717	S204M-K32UC	2CDS274061R0537	1	0.500
	35	4437724	S204M-K35UC	2CDS274061R0547	1	0.500
	40	4437731	S204M-K40UC	2CDS274061R0557	1	0.500
	50	4437748	S204M-K50UC	2CDS274061R0577	1	0.500
60	4437755	S204M-K60UC	2CDS274061R0587	1	0.500	
63	4437762	S204M-K63UC	2CDS274061R0607	1	0.500	

Miniature Circuit Breaker S 200 M UC

Ordering data characteristic Z



2CDC002102ZS0012

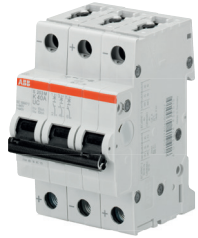


2CDC002102ZS0012

Number of poles	Rated current I_n A	EAN 401361	Type	Order code	Packing unit	Weight
					PCS	1 PC kg
1	0.5	4431111	S201M-Z0.5UC	2CDS271061R0158	10	0.125
	1	4431128	S201M-Z1UC	2CDS271061R0218	10	0.125
	1.6	4431135	S201M-Z1.6UC	2CDS271061R0258	10	0.125
	2	4431142	S201M-Z2UC	2CDS271061R0278	10	0.125
	3	4431159	S201M-Z3UC	2CDS271061R0318	10	0.125
	4	4431166	S201M-Z4UC	2CDS271061R0338	10	0.125
	5	4431173	S201M-Z5UC	2CDS271061R0358	10	0.125
	6	4431180	S201M-Z6UC	2CDS271061R0378	10	0.125
	8	4431197	S201M-Z8UC	2CDS271061R0408	10	0.125
	10	4431203	S201M-Z10UC	2CDS271061R0428	10	0.125
	15	4431227	S201M-Z15UC	2CDS271061R0458	10	0.125
	16	4431234	S201M-Z16UC	2CDS271061R0468	10	0.125
	20	4431241	S201M-Z20UC	2CDS271061R0488	10	0.125
	25	4431258	S201M-Z25UC	2CDS271061R0518	10	0.125
	30	4431265	S201M-Z30UC	2CDS271061R0528	10	0.125
	32	4431272	S201M-Z32UC	2CDS271061R0538	10	0.125
	35	4431289	S201M-Z35UC	2CDS271061R0548	10	0.125
	40	4431296	S201M-Z40UC	2CDS271061R0558	10	0.125
	50	4431302	S201M-Z50UC	2CDS271061R0578	10	0.125
	60	4431319	S201M-Z60UC	2CDS271061R0588	10	0.125
63	4431326	S201M-Z63UC	2CDS271061R0608	10	0.125	
2	0.5	4433337	S202M-Z0.5UC	2CDS272061R0158	5	0.250
	1	4433344	S202M-Z1UC	2CDS272061R0218	5	0.250
	1.6	4433351	S202M-Z1.6UC	2CDS272061R0258	5	0.250
	2	4433368	S202M-Z2UC	2CDS272061R0278	5	0.250
	3	4433375	S202M-Z3UC	2CDS272061R0318	5	0.250
	4	4433382	S202M-Z4UC	2CDS272061R0338	5	0.250
	5	4433399	S202M-Z5UC	2CDS272061R0358	5	0.250
	6	4433405	S202M-Z6UC	2CDS272061R0378	5	0.250
	8	4433412	S202M-Z8UC	2CDS272061R0408	5	0.250
	10	4433429	S202M-Z10UC	2CDS272061R0428	5	0.250
	15	4433443	S202M-Z15UC	2CDS272061R0458	5	0.250
	16	4433450	S202M-Z16UC	2CDS272061R0468	5	0.250
	20	4433467	S202M-Z20UC	2CDS272061R0488	5	0.250
	25	4433474	S202M-Z25UC	2CDS272061R0518	5	0.250
	30	4433481	S202M-Z30UC	2CDS272061R0528	5	0.250
	32	4433498	S202M-Z32UC	2CDS272061R0538	5	0.250
	35	4433504	S202M-Z35UC	2CDS272061R0548	5	0.250
	40	4433511	S202M-Z40UC	2CDS272061R0558	5	0.250
	50	4433528	S202M-Z50UC	2CDS272061R0578	5	0.250
	60	4433535	S202M-Z60UC	2CDS272061R0588	5	0.250
63	4433542	S202M-Z63UC	2CDS272061R0608	5	0.250	

Miniature Circuit Breaker S 200 M UC

Ordering data characteristic Z



2CDC021028S0012



2CDC021029S0012

Number of poles	Rated current I_n A	EAN 401361	Type	Order code	Packing unit	Weight
					PCS	1 PC kg
3	0.5	4435553	S203M-Z0.5UC	2CDS273061R0158	1	0.375
	1	4435560	S203M-Z1UC	2CDS273061R0218	1	0.375
	1.6	4435577	S203M-Z1.6UC	2CDS273061R0258	1	0.375
	2	4435584	S203M-Z2UC	2CDS273061R0278	1	0.375
	3	4435591	S203M-Z3UC	2CDS273061R0318	1	0.375
	4	4435607	S203M-Z4UC	2CDS273061R0338	1	0.375
	5	4435614	S203M-Z5UC	2CDS273061R0358	1	0.375
	6	4435621	S203M-Z6UC	2CDS273061R0378	1	0.375
	8	4435638	S203M-Z8UC	2CDS273061R0408	1	0.375
	10	4435645	S203M-Z10UC	2CDS273061R0428	1	0.375
	15	4435669	S203M-Z15UC	2CDS273061R0458	1	0.375
	16	4435676	S203M-Z16UC	2CDS273061R0468	1	0.375
	20	4435683	S203M-Z20UC	2CDS273061R0488	1	0.375
	25	4435690	S203M-Z25UC	2CDS273061R0518	1	0.375
	30	4435706	S203M-Z30UC	2CDS273061R0528	1	0.375
	32	4435713	S203M-Z32UC	2CDS273061R0538	1	0.375
	35	4435720	S203M-Z35UC	2CDS273061R0548	1	0.375
	40	4435737	S203M-Z40UC	2CDS273061R0558	1	0.375
	50	4435744	S203M-Z50UC	2CDS273061R0578	1	0.375
	60	4435751	S203M-Z60UC	2CDS273061R0588	1	0.375
63	4435768	S203M-Z63UC	2CDS273061R0608	1	0.375	
4	0.5	4437779	S204M-Z0.5UC	2CDS274061R0158	1	0.500
	1	4437786	S204M-Z1UC	2CDS274061R0218	1	0.500
	1.6	4437793	S204M-Z1.6UC	2CDS274061R0258	1	0.500
	2	4437809	S204M-Z2UC	2CDS274061R0278	1	0.500
	3	4437816	S204M-Z3UC	2CDS274061R0318	1	0.500
	4	4437823	S204M-Z4UC	2CDS274061R0338	1	0.500
	5	4437830	S204M-Z5UC	2CDS274061R0358	1	0.500
	6	4437847	S204M-Z6UC	2CDS274061R0378	1	0.500
	8	4437854	S204M-Z8UC	2CDS274061R0408	1	0.500
	10	4437861	S204M-Z10UC	2CDS274061R0428	1	0.500
	15	4437885	S204M-Z15UC	2CDS274061R0458	1	0.500
	16	4437892	S204M-Z16UC	2CDS274061R0468	1	0.500
	20	4437908	S204M-Z20UC	2CDS274061R0488	1	0.500
	25	4437915	S204M-Z25UC	2CDS274061R0518	1	0.500
	30	4437922	S204M-Z30UC	2CDS274061R0528	1	0.500
	32	4437939	S204M-Z32UC	2CDS274061R0538	1	0.500
	35	4437946	S204M-Z35UC	2CDS274061R0548	1	0.500
	40	4437953	S204M-Z40UC	2CDS274061R0558	1	0.500
	50	4437960	S204M-Z50UC	2CDS274061R0578	1	0.500
	60	4437977	S204M-Z60UC	2CDS274061R0588	1	0.500
63	4437984	S204M-Z63UC	2CDS274061R0608	1	0.500	

For Your Notes

A series of horizontal dotted lines for taking notes, arranged in a grid pattern across the page.

Contact

ABB STOTZ-KONTAKT GmbH

Eppelheimer Straße 82
69123 Heidelberg, Germany
Phone: +49 (0) 6221 7 01-0
Fax: +49 (0) 6221 7 01-13 25
E-Mail: info.desto@de.abb.com

You can find the address of your
local sales organization on the
ABB home page
<http://www.abb.com/contacts>
-> Low Voltage Products and Systems

Note:

We reserve the right to make technical changes or modify the contents of this document without prior notice. With regard to purchase orders, the agreed particulars shall prevail. ABB AG does not accept any responsibility whatsoever for potential errors or possible lack of information in this document.

We reserve all rights in this document and in the subject matter and illustrations contained therein. Any reproduction, disclosure to third parties or utilization of its contents – in whole or in parts – is forbidden without prior written consent of ABB AG.

Copyright© 2015 ABB
All rights reserved

Brochure number 2CDC002142D0207 (03/15-pdf)