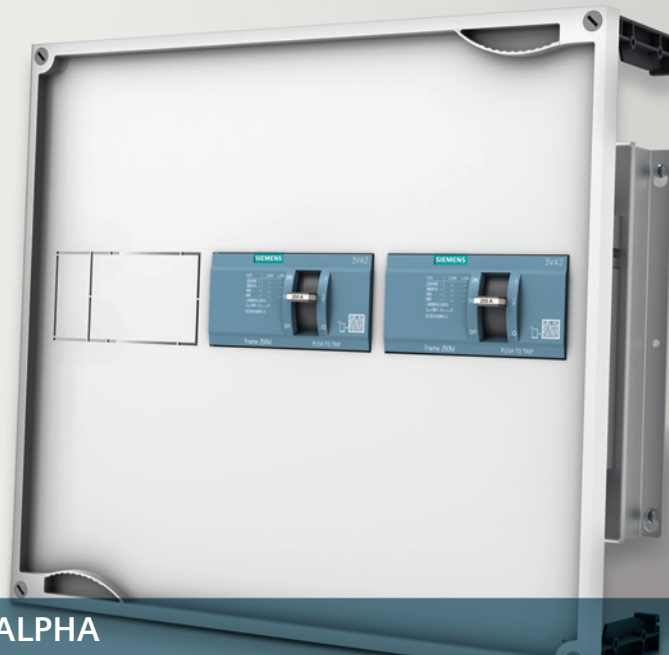


SIEMENS



Totally Integrated Power – ALPHA

Assembly kits for 3VA molded case circuit breakers

ALPHA DIN technology distribution boards

Unlimited possibilities

The assembly kits for the 3VA molded case circuit breakers are used to integrate circuit breakers of various sizes and with extensive accessories into ALPHA distribution boards. The assembly kits can be combined individually and project-specifically.

Low space requirement in the distribution board

Up to three 3VA molded case circuit breakers per assembly kit can be positioned in the distribution board. Installation is quick and easy thanks to device-specific support plates.

Flexible portfolio

With the same assembly kit both 3-pole and 4-pole circuit breakers of different sizes can be used. This reduces stockkeeping requirements.

The assembly kits are flexibly punched so that the number of 3VA molded case circuit breakers can be increased without great effort if required. They can be retrofitted at any time.

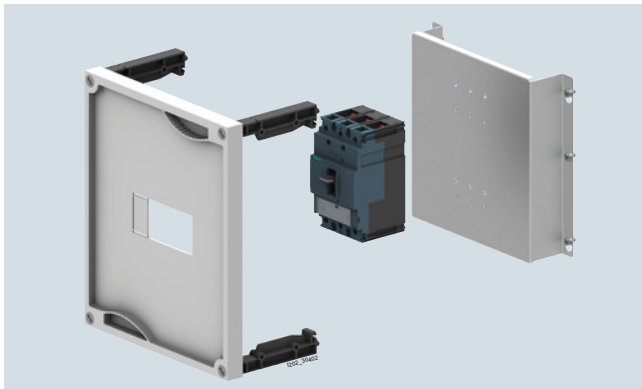
Highlights

- Installation of a motor operator possible for the 3VA molded case circuit breakers
- Optional expansion of 3VA molded case circuit breakers within one size
- More flexibility provided by the new assembly kits

ALPHA 400 / 630 / AS distribution boards

Assembly kits for unequipped distribution boards



Overview



Features

- Assembly kits comprising:
 - Matching device support plate
 - Front cover including supports
 - Fixing screws
- Assembly kit for 3-pole and 4-pole devices

Selection and ordering data

Version	DT	Article No. www.siemens.com/ product?Article No.	Price € per PU	PU (UNIT, SET, M)	PS*/ P. unit	PG			
Assembly kits, for 3VA10.. and 3VA11.. molded case circuit breakers (100 A/160 A)									
 8GK4730-2KK12	External dimensions in mm								
	Height	Width	Possible breakers	Operators	RCD				
	450	250	1	--	--	8GK4730-2KK12	1	1 unit 039	
				Motor	--	8GK4734-2KK12	1	1 unit 039	
				Motor	Infeed side	8GK4734-3KK12	1	1 unit 039	
				---	Infeed side	8GK4731-3KK12	1	1 unit 039	
	500	3	3	--	--	8GK4730-2KK22	1	1 unit 039	
				Motor	--	8GK4734-2KK22	1	1 unit 039	
				Motor	Infeed side	8GK4734-3KK22	1	1 unit 039	
				---	Infeed side	8GK4731-3KK22	1	1 unit 039	
Note									
<ul style="list-style-type: none"> • For mounting the assembly kits in the unequipped distribution boards, 2 longitudinal stays are required per assembly kit. These must be ordered separately (see Catalog LV 10, chapter "ALPHA 400 Distribution Boards"). 									
Assembly kits, for 3VA20.. and 3VA22.. molded case circuit breakers (100 A/160 A/250 A)									
 8GK4730-3KK10	External dimensions in mm								
	Height	Width	Possible breakers	Operators	RCD				
	450	250	1	--	--	8GK4730-3KK10	1	1 unit 039	
		500	3	--	--	8GK4730-3KK20	1	1 unit 039	
	600	250	1	Motor	Infeed side	8GK4736-4KK12	1	1 unit 039	
				---	Infeed side	8GK4735-4KK12	1	1 unit 039	
		500	3	3	Motor	Infeed side	8GK4736-4KK22	1	1 unit 039
					---	Infeed side	8GK4735-4KK22	1	1 unit 039
	Note								
	<ul style="list-style-type: none"> • For mounting the assembly kits in the unequipped distribution boards, 2 longitudinal stays are required per assembly kit. These must be ordered separately (see Catalog LV 10, chapter "ALPHA 400 Distribution Boards"). 								

Overview

Article No.	Page	Export markings	
		ECCN	AL
8GK473			
8GK4730-2KK12	2	N	N
8GK4730-2KK22	2	N	N
8GK4730-3KK10	2	N	N
8GK4730-3KK20	2	N	N
8GK4731-3KK12	2	N	N
8GK4731-3KK22	2	N	N
8GK4734-2KK12	2	N	N
8GK4734-2KK22	2	N	N
8GK4734-3KK12	2	N	N
8GK4734-3KK22	2	N	N
8GK4735-4KK12	2	N	N
8GK4735-4KK22	2	N	N
8GK4736-4KK12	2	N	N
8GK4736-4KK22	2	N	N

A product's export markings are updated daily at www.siemens.com/industrymall.

Appendix

Conditions of sale and delivery

Overview

By using this catalog you can acquire hardware and software products described therein from Siemens AG subject to the following terms. Please note! The scope, the quality and the conditions for supplies and services, including software products, by any Siemens entity having a registered office outside of Germany, shall be subject exclusively to the General Terms and Conditions of the respective Siemens entity. The following terms apply exclusively for orders placed with Siemens AG.

For customers with a seat or registered office in Germany

The "General Terms of Payment" as well as the "General Conditions for the Supply of Products and Services of the Electrical and Electronics Industry" shall apply.

For software products, the "General License Conditions for Software Products for Automation and Drives for Customers with a Seat or registered Office in Germany" shall apply.

For customers with a seat or registered office outside of Germany

The "General Terms of Payment" as well as the "General Conditions for Supplies of Siemens, Automation and Drives for Customers with a Seat or registered Office outside of Germany" shall apply.

For software products, the "General License Conditions for Software Products for Automation and Drives for Customers with a Seat or registered Office outside of Germany" shall apply.

General

The dimensions are in mm. In Germany, according to the German law on units in measuring technology, data in inches only apply to devices for export.

Illustrations are not binding.

Insofar as there are no remarks on the corresponding pages, - especially with regard to data, dimensions and weights given - these are subject to change without prior notice.

The prices are in € (Euro) ex works, exclusive packaging.

The sales tax (value added tax) is not included in the prices. It shall be debited separately at the respective rate according to the applicable legal regulations.

Prices are subject to change without prior notice. We will debit the prices valid at the time of delivery.

Surcharges will be added to the prices of products that contain silver, copper, aluminum, lead and/or gold if the respective basic official prices for these metals are exceeded. These surcharges will be determined based on the official price and the metal factor of the respective product.

The surcharge will be calculated on the basis of the official price on the day prior to receipt of the order or prior to the release order.

The metal factor determines the official price as of which the metal surcharges are charged and the calculation method used. The metal factor, provided it is relevant, is included with the price information of the respective products.

You will find

- an exact explanation of the metal factor
- the text of the Comprehensive Terms and Conditions of Sale and Delivery of Siemens AG

in the Internet under
www.siemens.com/automation/salesmaterial-as/catalog/en/terms_of_trade_en.pdf

Export regulations

Siemens shall not be obligated to fulfill this agreement if such fulfillment is prevented by any impediments arising out of national or international foreign trade or customs requirements or any embargoes or other sanctions.

If Purchaser transfers goods (hardware and/ or software and/ or technology as well as corresponding documentation, regardless of the mode of provision) delivered by Siemens or works and services (including all kinds of technical support) performed by Siemens to a third party worldwide, Purchaser shall comply with all applicable national and international (re-) export control regulations. In any event Purchaser shall comply with the (re-) export control regulations of the Federal Republic of Germany, of the European Union and of the United States of America.

If required to conduct export control checks, Purchaser, upon request by Siemens, shall promptly provide Siemens with all information pertaining to particular end customer, destination and intended use of goods, works and services provided by Siemens, as well as any export control restrictions existing.

Purchaser shall indemnify and hold harmless Siemens from and against any claim, proceeding, action, fine, loss, cost and damages arising out of or relating to any noncompliance with export control regulations by Purchaser, and Purchaser shall compensate Siemens for all losses and expenses resulting thereof, unless such noncompliance was not caused by fault of the Purchaser. This provision does not imply a change in burden of proof.

The products listed in this catalog / price list may be subject to European / German and/or US export regulations.

Therefore, any export requiring a license is subject to approval by the competent authorities.

According to current provisions, the following export regulations must be observed with respect to the products featured in this catalog / price list:

AL	<p>Number of the <u>German Export List</u></p> <p>Products marked other than "N" require an export license. In the case of software products, the export designations of the relevant data medium must also be generally adhered to.</p> <p>Goods labeled with an "AL" not equal to "N" are subject to European or German export authorization when being exported out of the EU.</p>
ECCN	<p><u>Export Control Classification Number</u></p> <p>Products marked other than "N" are subject to a reexport license to specific countries.</p> <p>In the case of software products, the export designations of the relevant data medium must also be generally adhered to.</p> <p>Goods labeled with "ECCN" not equal to "N" are subject to US re-export authorization.</p>

Even without a label, or with label "AL:N" or "ECCN:N", authorization may be required due to the final end-use and destination for which the goods are to be used.

In addition, you can preview the export designations via our "Industry Mall" online catalog system in the respective product description. The deciding factors are the AL or ECCN export authorization indicated on order confirmations, delivery notes and invoices.

Errors excepted and subject to change without prior notice.

Siemens AG
Energy Management
Low Voltage & Products
Postfach 10 09 53
93009 REGENSBURG
GERMANY

Subject to change without prior notice
PDF only (E86060-K8280-E251-A1-7600)
PI 1214 6 En / valid until 09/15
Produced in Germany
© Siemens AG 2014

The information provided in this catalog contains descriptions or characteristics of performance which in case of actual use do not always apply as described or which may change as a result of further development of the products. An obligation to provide the respective characteristics shall exist only if expressly agreed in the terms of contract. Availability and technical specifications are subject to change without notice. All product designations may be trademarks or product names of Siemens AG or supplier companies whose use by third parties for their own purposes could violate the rights of the owners.