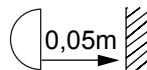
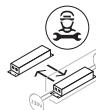


HIPOWER

EN: This product contains a light source of energy efficiency class D
NO: Dette produktet inneholder en LED-lyskilde med energieffektivitets-klasse D
SE: Denna produkt innehåller en ljuskälla med energieffektivitetsklassen D
FI: Tämä tuote sisältää LED -valonlähteen energiatehokkuus luokalla D

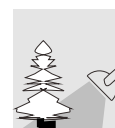
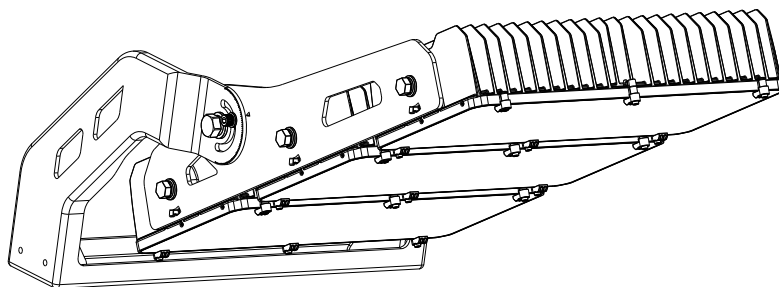
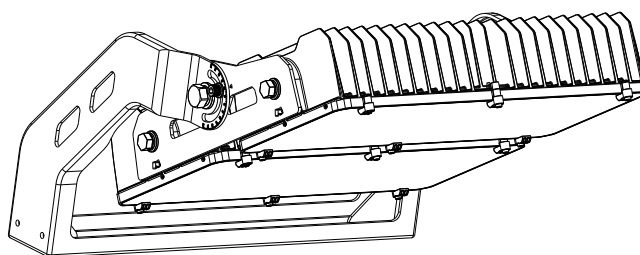
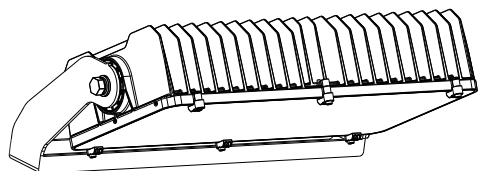


EN: Minimum distance to flammable material in the beam direction.
NO: Minimumsavstand til brennbar materiale i armaturens stråleretning.
SE: Minsta avstånd mellan brännbart material och lampans ljusrättning.
FI: Vähimmäismitta valaisimesta palaavaan materiaaliin.



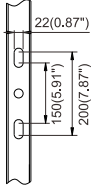
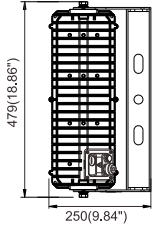
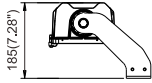
EN: Unreplaceable light source. Replaceable control gear by qualified electrician.
NO: Ikke utskiftbar lyskilde. Forkobling kan byttes av autorisert el. installatør.
SE: Ej utbyttbar ljuskälla. Drivdon kan bytas av auktoriserad elektriker.
FI: Ei vaihdettava valonlähde. Valtuutettu sähköasentaja voi vaihtaa käyttölaitteet.

OBS! **EN:** Installation must be performed by a qualified electrician.
NO: Må installeres av autorisert el. installatør.
SE: Måste installeras av en behörig elinstallatör.
FI: Vain valtuutettu sähköasentaja saa asentaa.

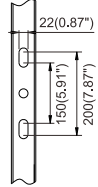
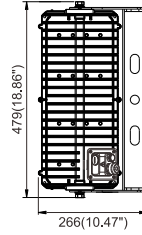
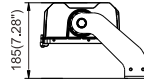


Physical Dimensions(Unit: mm/inch)

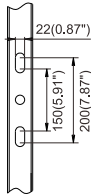
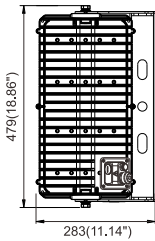
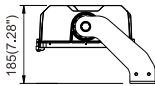
400W



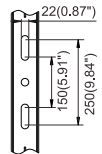
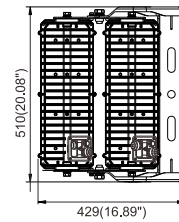
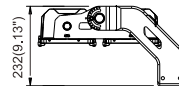
480W



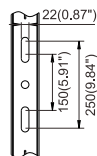
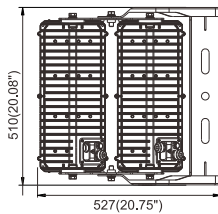
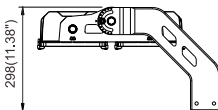
600W



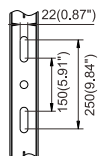
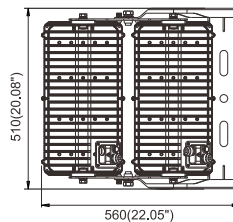
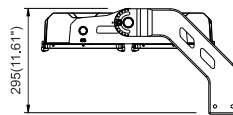
800W



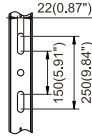
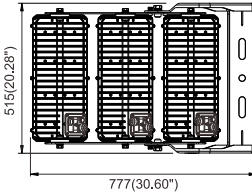
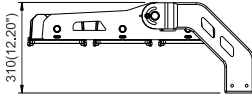
960W



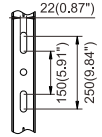
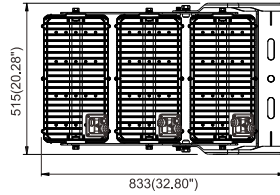
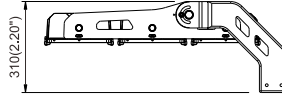
1200W



1500W

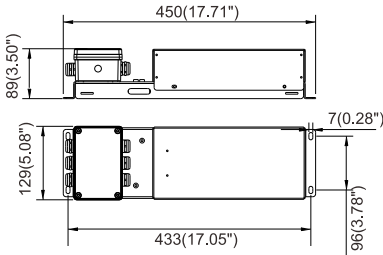


1800W

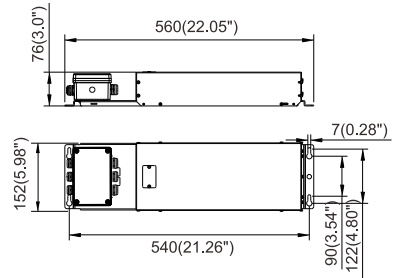


Driver Box

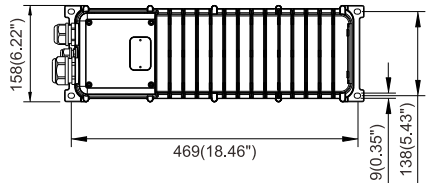
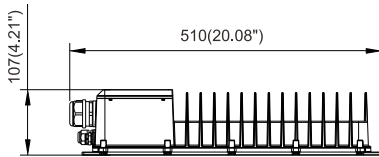
400W-600W



800W-1200W



1500W-1800W

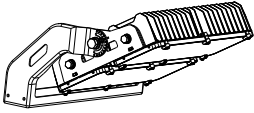


| Ta(°C) | 25°C | 30°C | 40°C |
|--------|--------|--------|--------|
| Life | | | |
| L70 | 100000 | 100000 | 100000 |
| L80 | 100000 | 100000 | 100000 |
| L90 | 100000 | 100000 | 83000 |

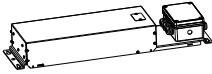
Unit: hrs

Please read the relevant data carefully, which may be helpful for your installation

Driver Box Mount

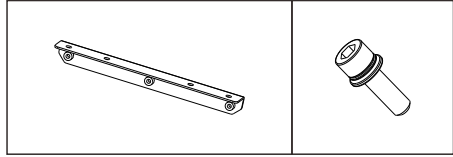


Lamp Body

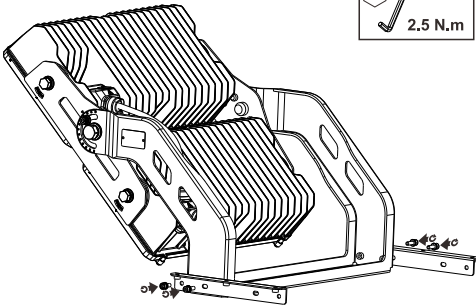


Power Supply

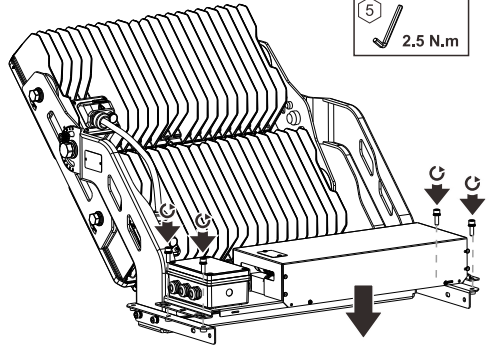
Accessories



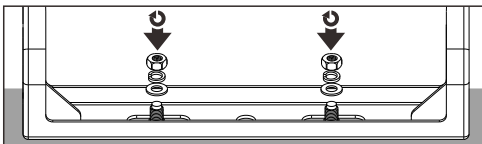
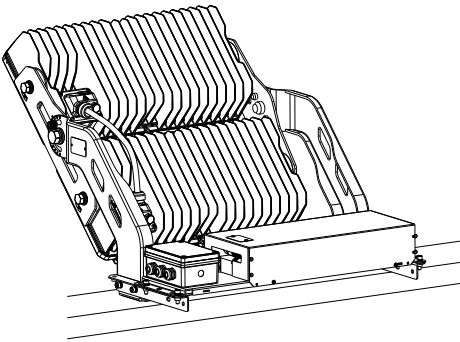
1.



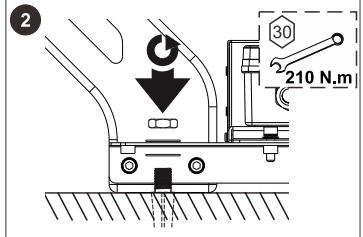
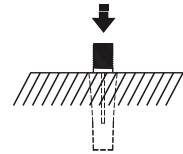
2.



Installation

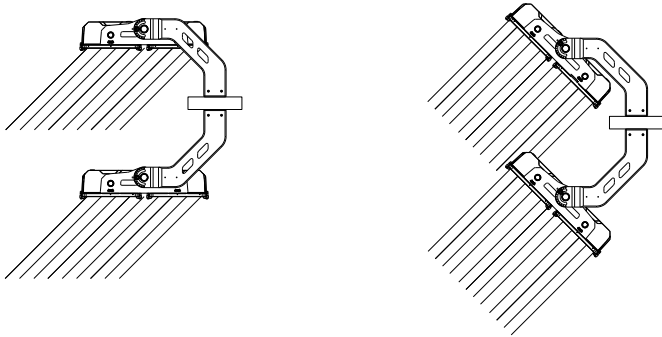


1 Recommended screw size: M20

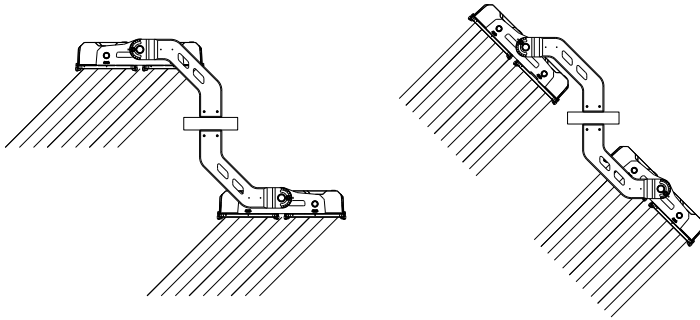


Positions Not Allowed

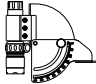
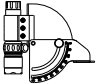
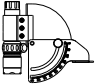
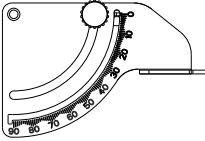
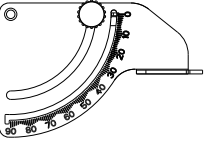
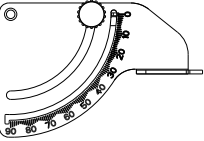
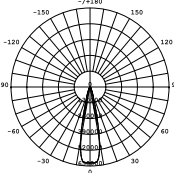
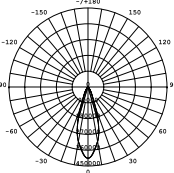
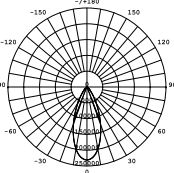
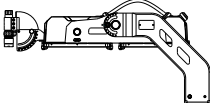
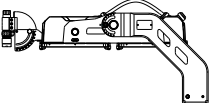
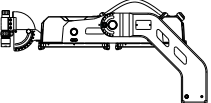
X

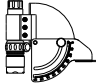
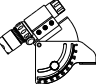
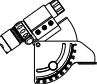
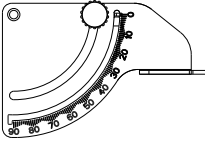
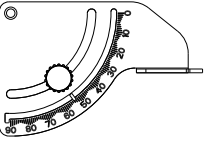
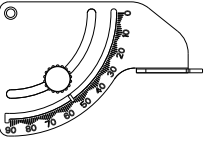
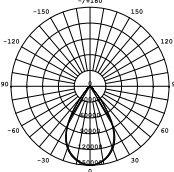
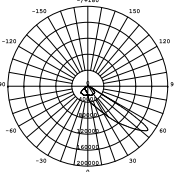
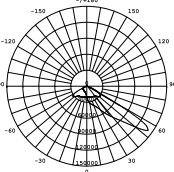
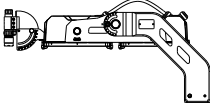
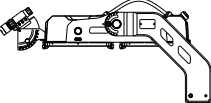
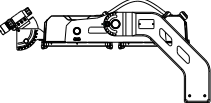


✓



| Lens Type | F04001X | F04001Z | F04002 |
|---------------------------------------------------|---------|---------|--------|
| Mounting Angle (Aiming Devise Bracket) | 49.5° | 45° | 9° |
| Photometric Data (For Mounting Angle) | | | |
| | | | |
| Photometric Data (For Lens) | | | |
| Luminaire mounting type | | | |

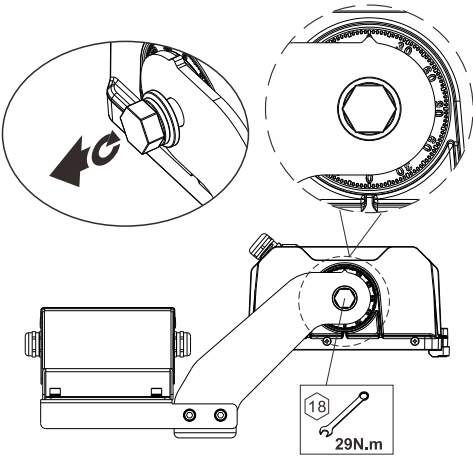
| Lens Type | F04003X | F04003Z | F04004 |
|---------------------------------------------------|-----------------------------------------------------------------------------------|-----------------------------------------------------------------------------------|------------------------------------------------------------------------------------|
| Mounting Angle (Aiming Devise Bracket) | 0° | 0° | 0° |
| Photometric Data (For Mounting Angle) |  |  |  |
| |  |  |  |
| Photometric Data (For Lens) |  |  |  |
| Luminaire mounting type |  |  |  |

| Lens Type | F04006 | F04013 | F04014 |
|---------------------------------------------------|-------------------------------------------------------------------------------------|-------------------------------------------------------------------------------------|--------------------------------------------------------------------------------------|
| Mounting Angle (Aiming Devise Bracket) | 0° | 53.5° | 54.5° |
| Photometric Data (For Mounting Angle) |  |  |  |
| |  |  |  |
| Photometric Data (For Lens) |  |  |  |
| Luminaire mounting type |  |  |  |

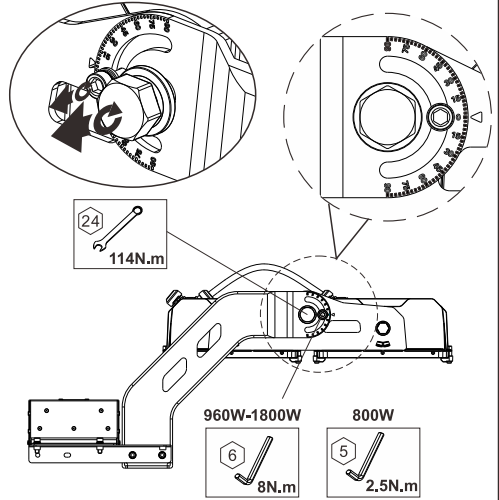
Rotatable Modules

Whole LED Modules Rotatable

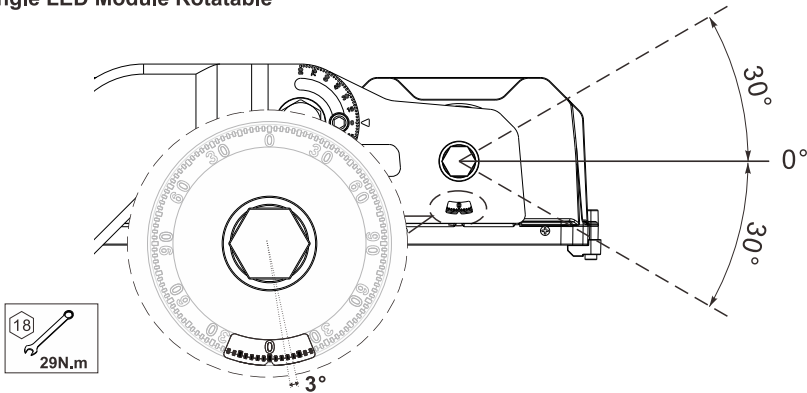
400W-600W



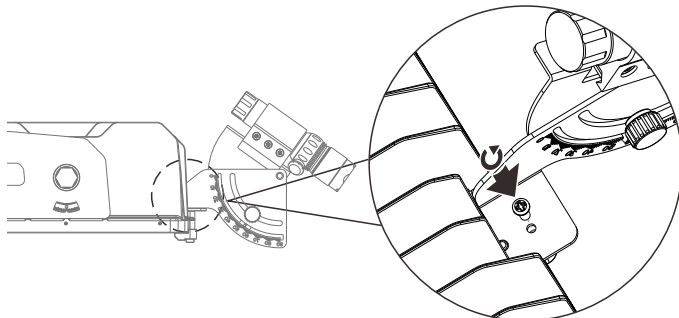
800W-1800W



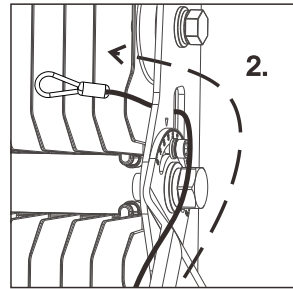
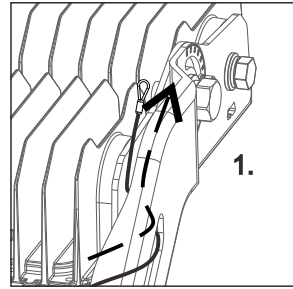
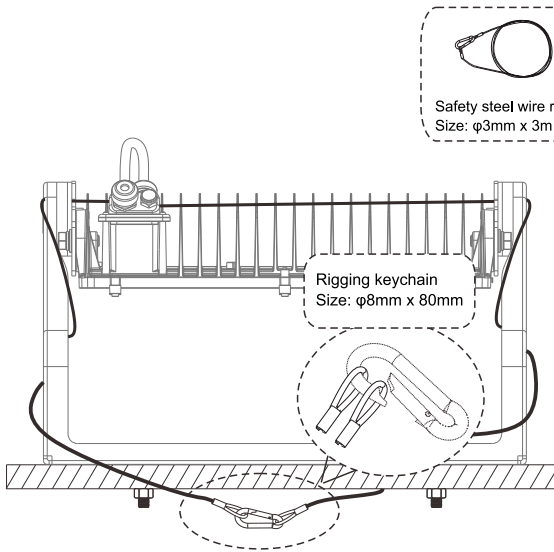
Single LED Module Rotatable



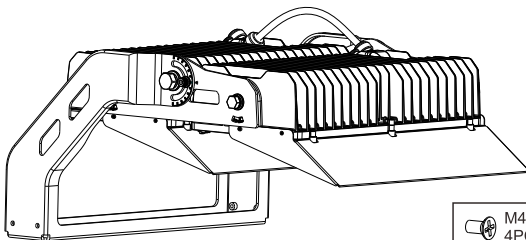
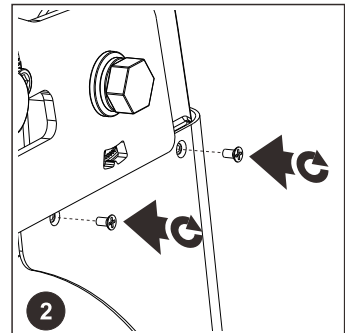
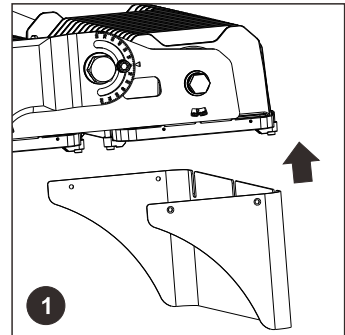
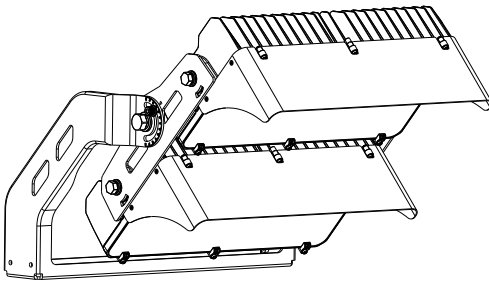
Aiming Device Mount



Safety Rope Mount

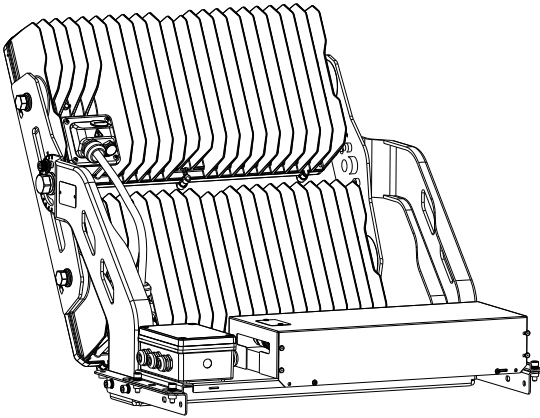


Visor Mount

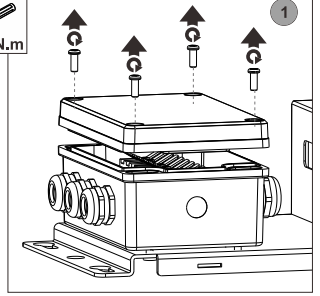


| EPA (Unit: mm/ inch) | | | | | | | |
|-------------------------------|----|---|-----------------------------------------|-----------------------------------------|-----------------------------------------|-----------------------------------------|-------|
| | S | a | a=0° | a=30° | a=60° | | a=90° |
| 400W | S1 | | 0.02m ² /0.26ft ² | 0.05m ² /0.58ft ² | 0.08m ² /0.9ft ² | 0.09m ² /0.96ft ² | ≤22Kg |
| | S2 | | 0.09m ² /0.96ft ² | 0.08m ² /0.9ft ² | 0.05m ² /0.58ft ² | 0.02m ² /0.26ft ² | |
| | S3 | | 0.02m ² /0.21ft ² | 0.02m ² /0.21ft ² | 0.02m ² /0.21ft ² | 0.02m ² /0.21ft ² | |
| 480W | S1 | | 0.02m ² /0.26ft ² | 0.07m ² /0.72ft ² | 0.09m ² /1.10ft ² | 0.11m ² /1.15ft ² | ≤27Kg |
| | S2 | | 0.11m ² /1.15ft ² | 0.09m ² /1.10ft ² | 0.07m ² /0.72ft ² | 0.02m ² /0.26ft ² | |
| | S3 | | 0.02m ² /0.26ft ² | 0.02m ² /0.26ft ² | 0.02m ² /0.26ft ² | 0.02m ² /0.26ft ² | |
| 600W | S1 | | 0.02m ² /0.26ft ² | 0.07m ² /0.78ft ² | 0.11m ² /1.16ft ² | 0.12m ² /1.29ft ² | ≤30Kg |
| | S2 | | 0.12m ² /1.29ft ² | 0.11m ² /1.16ft ² | 0.07m ² /0.78ft ² | 0.02m ² /0.26ft ² | |
| | S3 | | 0.03m ² /0.37ft ² | 0.03m ² /0.37ft ² | 0.03m ² /0.37ft ² | 0.03m ² /0.37ft ² | |
| 800W | S1 | | 0.03m ² /0.3ft ² | 0.11m ² /1.19ft ² | 0.17m ² /1.83ft ² | 0.19m ² /2.0ft ² | ≤46kg |
| | S2 | | 0.19m ² /2.0ft ² | 0.17m ² /1.83ft ² | 0.11m ² /1.19ft ² | 0.03m ² /0.3ft ² | |
| | S3 | | 0.05m ² /0.59ft ² | 0.05m ² /0.59ft ² | 0.05m ² /0.59ft ² | 0.05m ² /0.59ft ² | |
| 960W | S1 | | 0.03m ² /0.3ft ² | 0.13m ² /1.39ft ² | 0.2m ² /2.17ft ² | 0.22m ² /2.42ft ² | ≤55Kg |
| | S2 | | 0.22m ² /2.42ft ² | 0.2m ² /2.17ft ² | 0.13m ² /1.39ft ² | 0.03m ² /0.3ft ² | |
| | S3 | | 0.06m ² /0.69ft ² | 0.06m ² /0.69ft ² | 0.06m ² /0.69ft ² | 0.06m ² /0.69ft ² | |
| 1200W | S1 | | 0.03m ² /0.3ft ² | 0.15m ² /1.59ft ² | 0.24m ² /2.55ft ² | 0.26m ² /2.82ft ² | ≤65Kg |
| | S2 | | 0.26m ² /2.82ft ² | 0.24m ² /2.55ft ² | 0.15m ² /1.59ft ² | 0.03m ² /0.3ft ² | |
| | S3 | | 0.07m ² /0.76ft ² | 0.07m ² /0.76ft ² | 0.07m ² /0.76ft ² | 0.07m ² /0.76ft ² | |
| 1500W | S1 | | 0.03m ² /0.3ft ² | 0.19m ² /2.04ft ² | 0.3m ² /3.28ft ² | 0.34m ² /3.71ft ² | ≤85Kg |
| | S2 | | 0.34m ² /3.71ft ² | 0.3m ² /3.28ft ² | 0.19m ² /2.04ft ² | 0.03m ² /0.3ft ² | |
| | S3 | | 0.11m ² /1.15ft ² | 0.11m ² /1.15ft ² | 0.11m ² /1.15ft ² | 0.11m ² /1.15ft ² | |
| 1800W | S1 | | 0.03m ² /0.3ft ² | 0.22m ² /2.36ft ² | 0.35m ² /3.79ft ² | 0.4m ² /4.28ft ² | ≤98Kg |
| | S2 | | 0.4m ² /4.28ft ² | 0.35m ² /3.79ft ² | 0.22m ² /2.36ft ² | 0.03m ² /0.3ft ² | |
| | S3 | | 0.11m ² /1.21ft ² | 0.11m ² /1.21ft ² | 0.11m ² /1.21ft ² | 0.11m ² /1.21ft ² | |

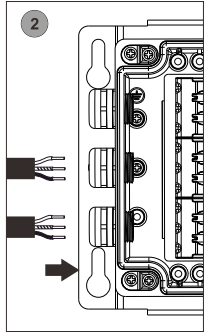
Junction Box Wiring



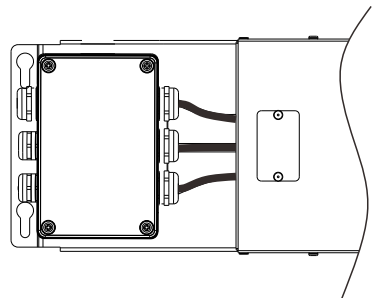
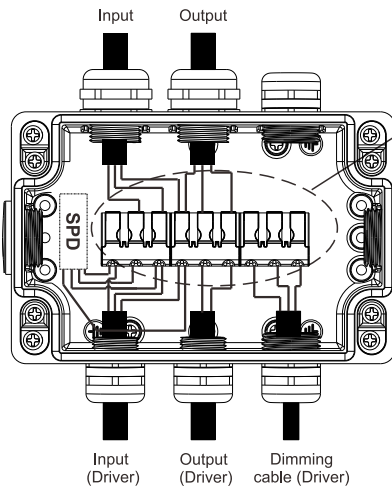
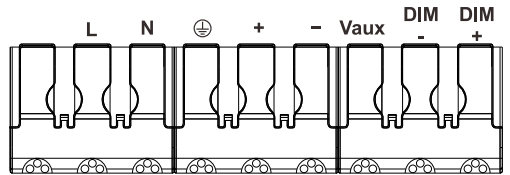
1.2 N.m



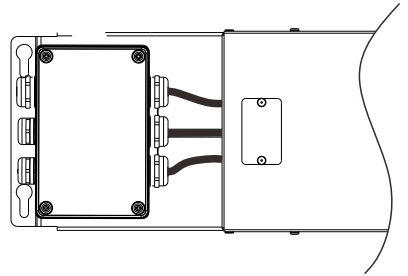
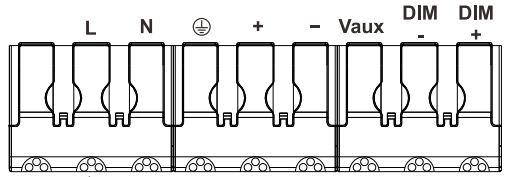
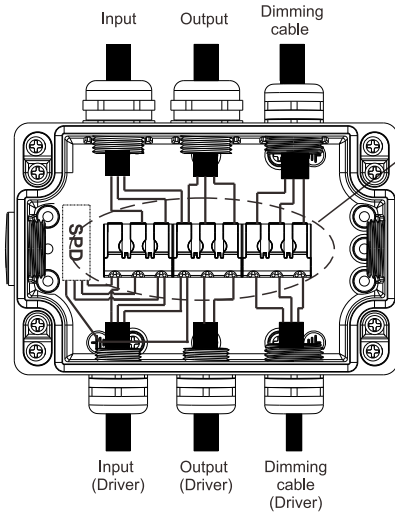
Dimming cable : Ø4-8mm
Output cable & Input cable: Ø8-12mm



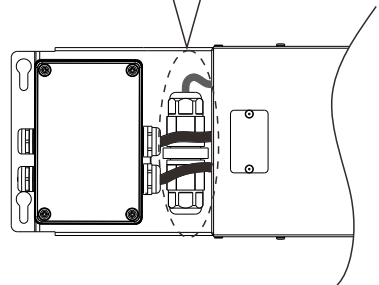
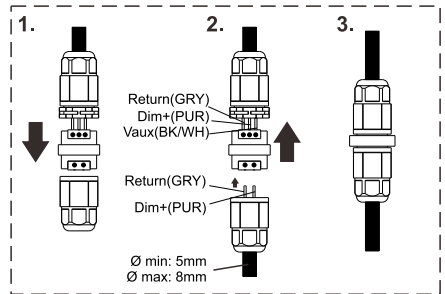
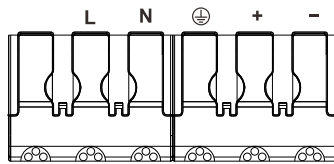
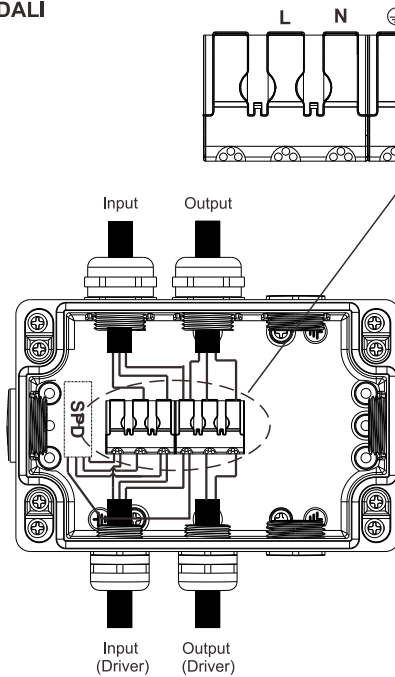
400W-1200W Non-dimmable



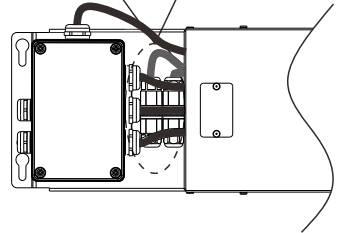
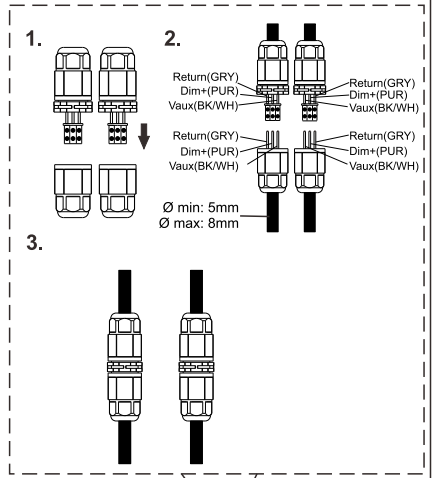
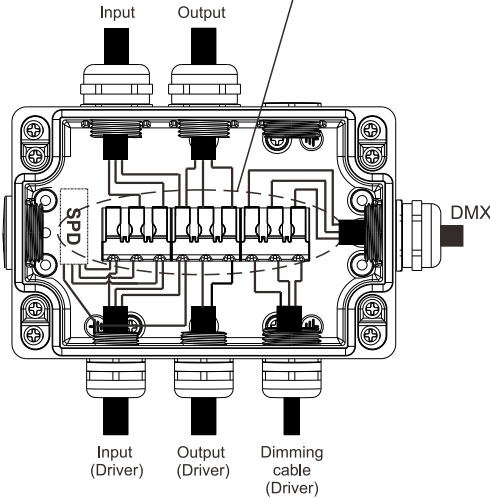
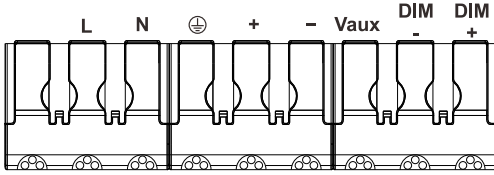
0-10V Dimmable



DALI



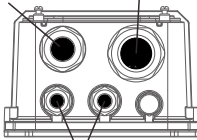
DMX



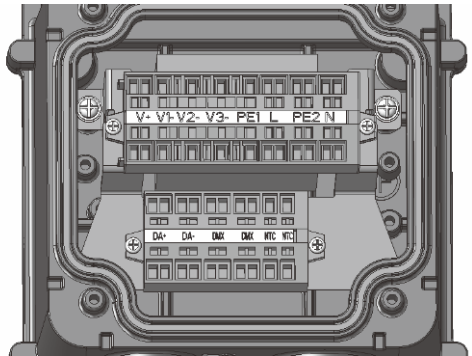
1500W/1800W

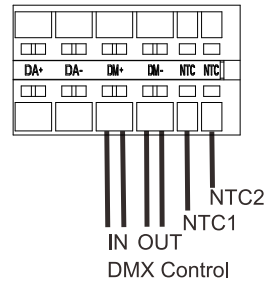
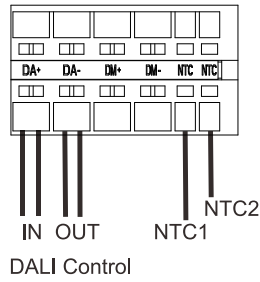
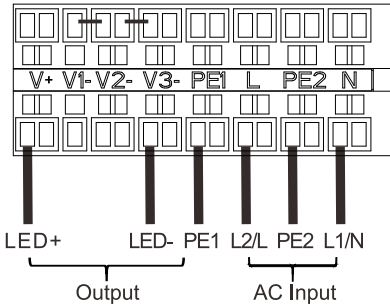
Output Section
M32 Cable gland
Clamping range: 10-13mm
or 8-10mm(3X)
Tightening force: 8NM

Input Section
M25 Cable gland
Clamping range: 13-18mm
Tightening force: 7.5NM

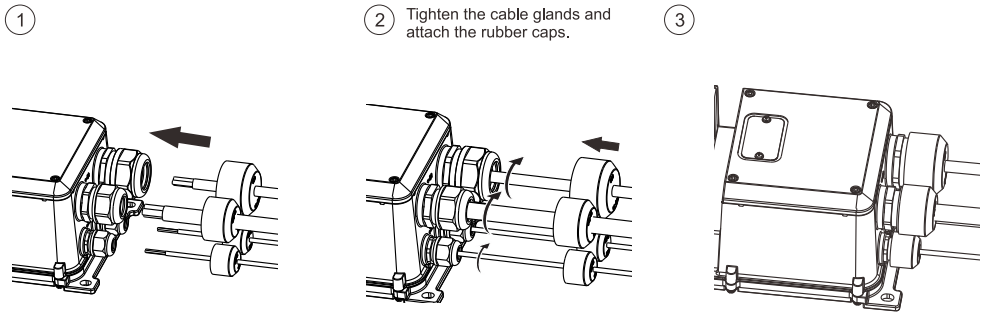


DIM Control Section
M16 Cable gland(2X)
Clamping range: 6-10mm
Tightening force: 2.5NM





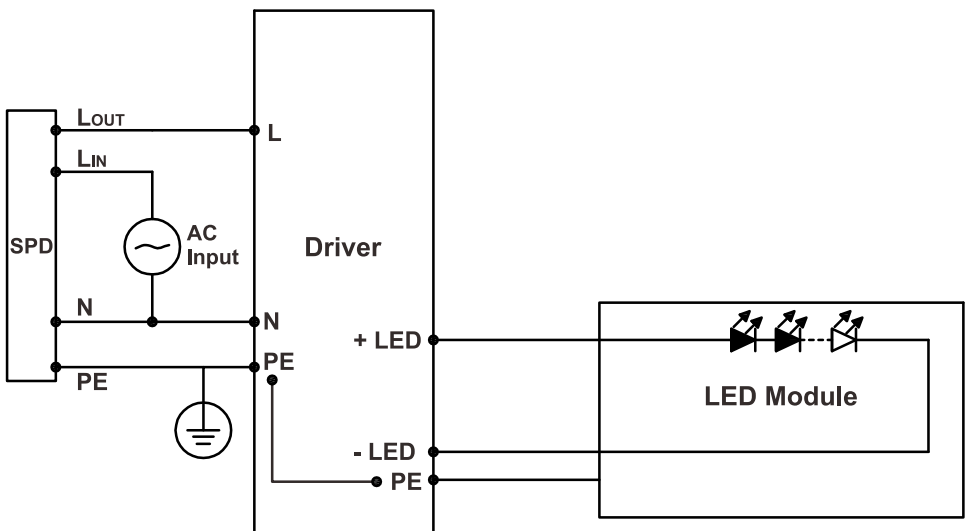
Add rubber caps to improve the waterproof reliability of the cable glands



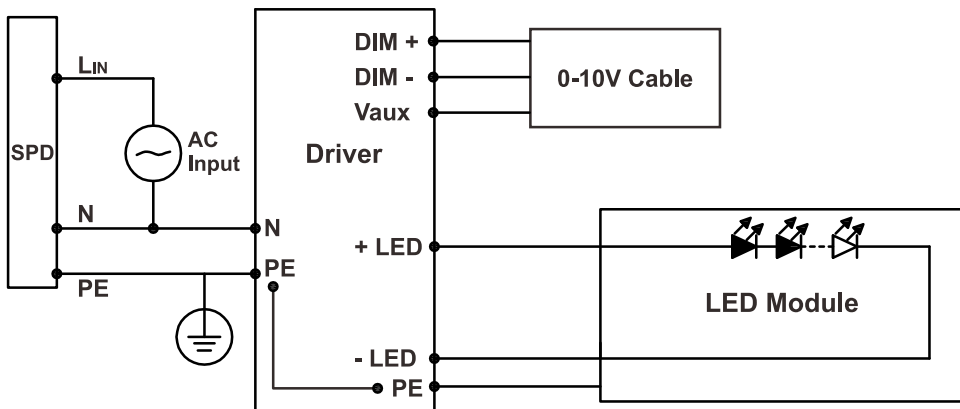
Circuit Schematic Diagram

400W-1200W

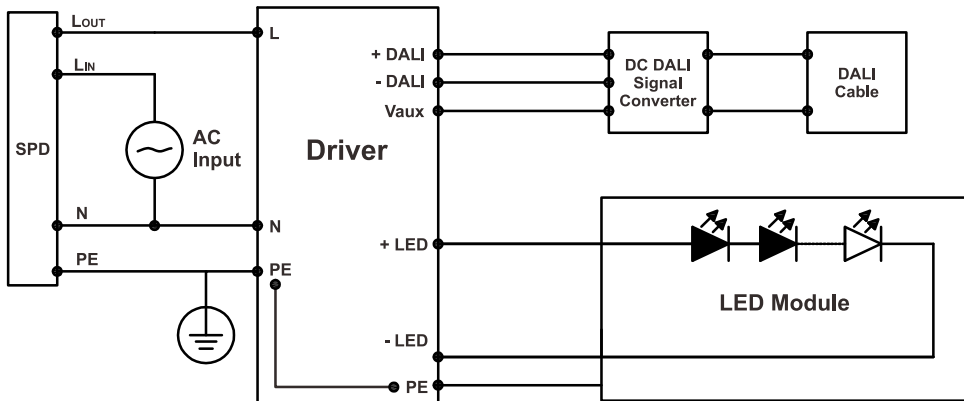
Non-Dimmable



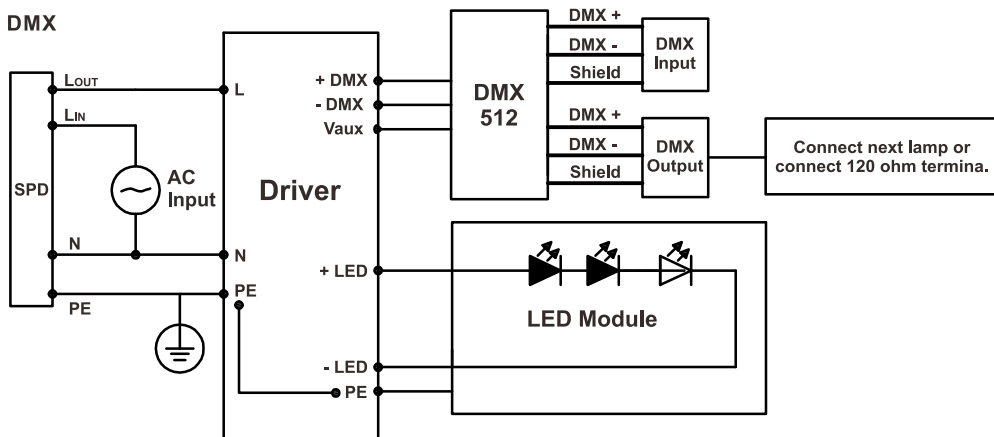
0-10V Dimming



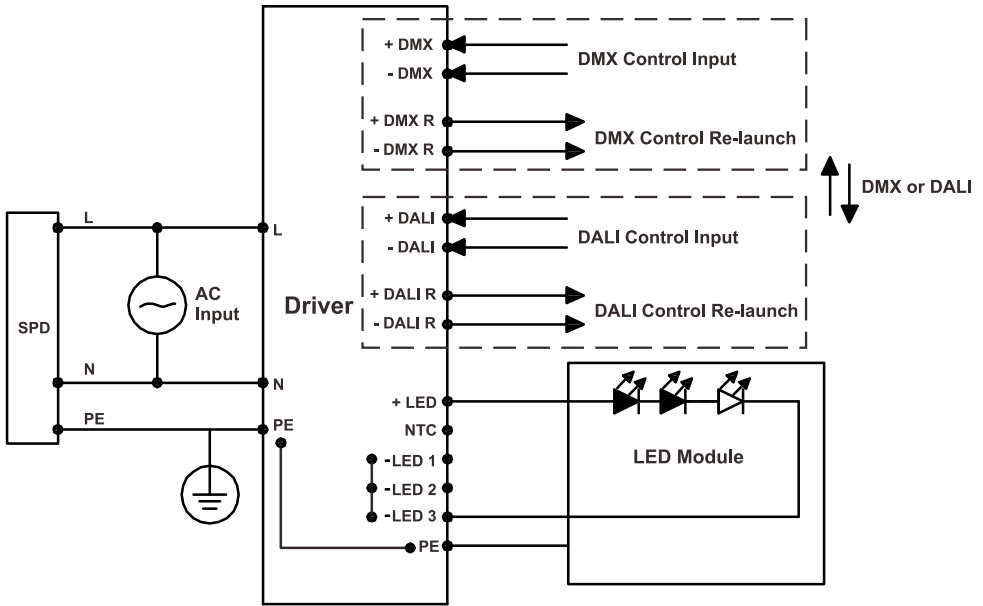
DALI



DMX

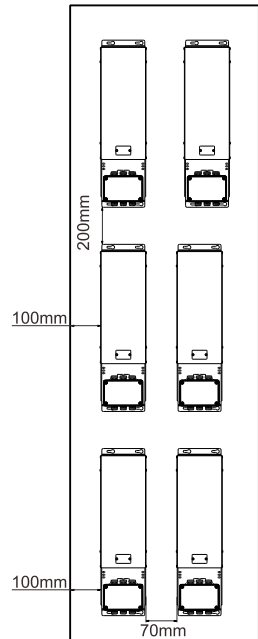


1500W-1800W



Clearance Distance

When the driver boxes are installed in a confined space, the minimum installation clearance must be ensured. Make sure that the measured temperature (at 5 cm far away from the driver box) is not higher than the T_a max temperature of the lamp. Please refer to the mounting distance instruction on the right.



| Lamp Type | MCB Type | Input Voltage | Quantity |
|-----------|---------------|---------------|----------|
| 400W | MCB B 16 Type | 120-240VAC | 4 |
| | MCB B 32 Type | 120-240VAC | 8 |
| | MCB C 16 Type | 120-240VAC | 6 |
| | MCB C 32 Type | 120-240VAC | 13 |

| Lamp Type | MCB Type | Input Voltage | Quantity |
|-----------|---------------|---------------|----------|
| 480W | MCB B 16 Type | 120-240VAC | 4 |
| | MCB B 32 Type | 120-240VAC | 9 |
| | MCB C 16 Type | 120-240VAC | 5 |
| | MCB C 32 Type | 120-240VAC | 11 |

| Lamp Type | MCB Type | Input Voltage | Quantity |
|-----------|---------------|---------------|----------|
| 600W | MCB B 16 Type | 120-240VAC | 2 |
| | MCB B 32 Type | 120-240VAC | 5 |
| | MCB C 16 Type | 120-240VAC | 4 |
| | MCB C 32 Type | 120-240VAC | 9 |

| Lamp Type | MCB Type | Input Voltage | Quantity |
|-----------|---------------|---------------|----------|
| 800W | MCB B 16 Type | 120-240VAC | 2 |
| | MCB B 32 Type | 120-240VAC | 5 |
| | MCB C 16 Type | 120-240VAC | 3 |
| | MCB C 32 Type | 120-240VAC | 7 |

| Lamp Type | MCB Type | Input Voltage | Quantity |
|-----------|---------------|---------------|----------|
| 960W | MCB B 16 Type | 220-240VAC | 1 |
| | MCB B 32 Type | 220-240VAC | 3 |
| | MCB C 16 Type | 220-240VAC | 1 |
| | MCB C 32 Type | 220-240VAC | 3 |

| Lamp Type | MCB Type | Input Voltage | Quantity |
|-----------|---------------|---------------|----------|
| 1200W | MCB B 16 Type | 220-240VAC | 1 |
| | MCB B 32 Type | 220-240VAC | 3 |
| | MCB C 16 Type | 220-240VAC | 1 |
| | MCB C 32 Type | 220-240VAC | 3 |

| Lamp Type | MCB Type | Input Voltage | Quantity |
|-----------|---------------|---------------|----------|
| 1500W | MCB B 16 Type | 200-420VAC | 1 |
| | MCB B 32 Type | 200-420VAC | 3 |
| | MCB C 16 Type | 200-420VAC | 1 |
| | MCB C 32 Type | 200-420VAC | 3 |

| Lamp Type | MCB Type | Input Voltage | Quantity |
|-----------|---------------|---------------|----------|
| 1800W | MCB B 16 Type | 200-420VAC | 1 |
| | MCB B 32 Type | 200-420VAC | 3 |
| | MCB C 16 Type | 200-420VAC | 1 |
| | MCB C 32 Type | 200-420VAC | 3 |

* Maximum number of luminaires connected.

Disclaimer: For reference only. The quantity of luminaires per circuit breaker must be based on the electrical design that prepared(& approved)by qualified electrical system design engineer.

Reminder

We appreciate your purchase!

Please read the entire instruction manual before installation and keep it for future reference.

1. Please do not modify or dismantle the luminaire or replace accessories without confirming with the supplier first.
2. Please authorize only qualified personnel to install the lamp and ensure they follow the instruction manual. Any improper installation might cause falling, electric shock, fire, or other injury, damage or hazard.
3. Please disconnect power before installation or any maintenance of the lamp. Do not touch the power supply when the lamp is operating.
4. If the luminaire begins to smoke or emit odors, please disconnect power since fire or electric shock may occur. And ask qualified person to inspect and maintain the luminaire.
5. If the external flexible cable or cord of this luminaire is damaged, it shall be exclusively replaced by the manufacturer or his service agent or a similar qualified person in order to avoid a hazard.
6. The light source contained in this luminaire shall only be replaced by the manufacturer or his service agent or a similar qualified person.
7. We suggest you adding a separate surge protection device in distribution box to extend luminaire lifespan.

Applications

1. The product is designed for square, stadium, exhibition center, soccer field, tennis court and similar applications. For other special applications, please consult your salesperson to confirm firstly.
2. Too much dust or oil accumulation on PC lens will stop the lighting emit and heat dissipation, it will change lighting distribution, and cause high heat inside to affect LED chips performance. For such environments, we suggest you to clean the luminaire regularly to ensure longer lifespan. Or you need to use product with glass cover and better heat performance instead.
3. The suggested mounting height of the luminaire is 6-30m.