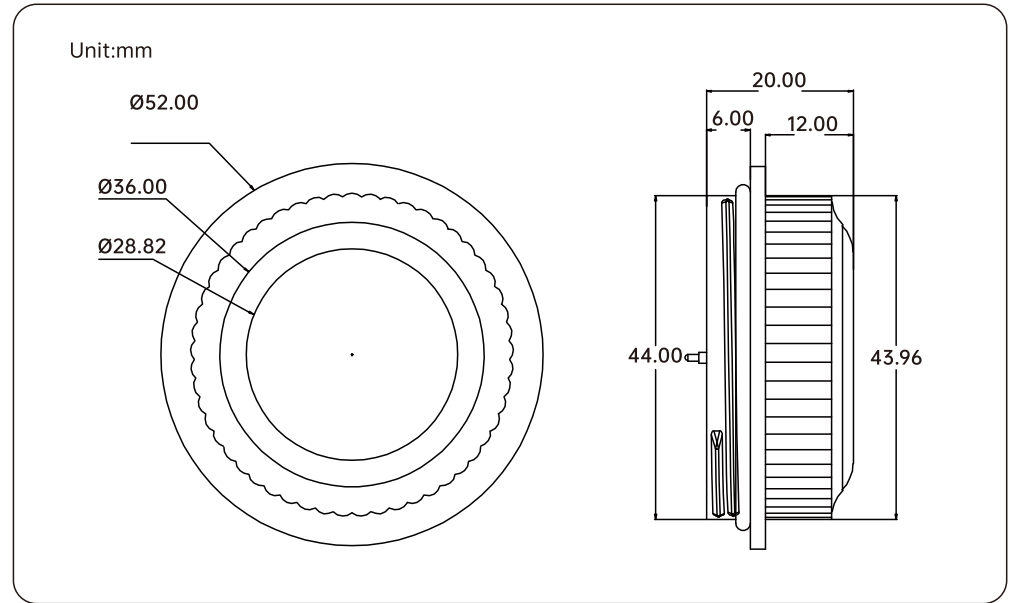


LUZENSE®

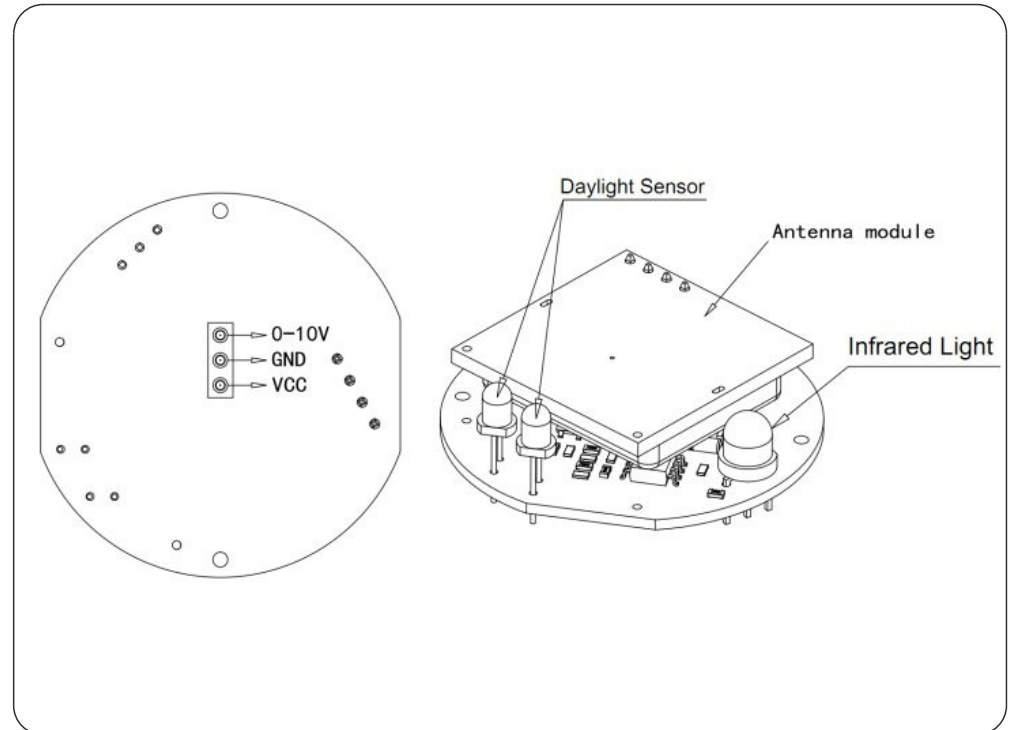
High Bay Sensor USER'S MANUAL

Model No.: 33 366 94

Mechanical structure



Function diagram



EN

Instruction

INITIALIZATION

Sensor turns light on at 100% brightness when first power on and turns down the brightness of light in ten second. During the initialization, sensor do not detect movement signals.

FEATURES

- (1) New patented high-gain antenna; better adaptability to metal warehouse; completely solve the problem of self-excitation and false trigger of microwave products used in metal warehouse.
- (2) Small cut size; suitable for many different installation environments.
- (3) 12V DC input; matching DC system and LED power supply with 12V DC auxiliary supply.
- (4) Dimming port (0-10V): 2-step dimming function or 3-step dimming function.
- (5) Mounting height: 12m Max
- (6) All parameters can be changed by infrared remote control.

SPECIFICATIONS

DC Input Voltage	11-13VDC
Operating Voltage	12V DC
Operating Current	<30mA
0-10V Dimming	Yes
Operating Frequency	5.8 GHz \pm 75 MHz, ISM wave.
Transmitting power	3mW Max.
Hold time	5s/30s/1min/3min/5min/10min/20min/30min
Stand-by DIM Level	10%/20%/30%/50%
Stand-by Period	0s/10s/1min/3min/5min/10min/30min/+ ∞
Detection Area	100%/75%/50%/25%
Daylight Sensor	5lux/15Lux/30Lux/50Lux/100lux/150lux/Disable
Mounting Height	10m (12m Max)
Detecting Angle	360°(ceiling mounting)
Motion detection Area	\geq 3m
Operating Temperature	-25°C~+60°C
IP Rating	IP65
Protection Class	Class II

APPLICATION NOTICE

- (1)The sensor should be installed by a professional electrician. Please turn off the power before installing, wiring and changing parameters.
- (2)Microwaves cannot penetrate metal. Do not place the product in a closed metal lamp or a half-closed metal lamp and metal or glass are not allowed to cover above the product. If antenna needs to pass through the metal plate, please ensure that the top of the sensor is close to the metal plate.
- (3)The distance between any inductive sensors should be greater than three meters. Keep sensor away from switches, routers and other wireless devices to avoid radio interference, more than three meters. The antenna surface of the microwave module should not be directly facing input AC and output DC to avoid low or high frequency signals affect the normal operation of microwave sensor's antenna.
- (4)Vibration signals will be regarded as moving signals to trigger the sensor. Avoid using objects that vibrate for a long time around the sensor, such as large metal equipment, pipes, air conditioning outlets, exhaust vents, smoke exhaust machine ports, shaking fans, etc. Pets in detecting area may trigger sensing.
- (5)Sensor is for indoor use only. The waterproof effect for outdoor use will be affected. Wind, rain, and moving objects around will cause false triggering. When the sensor is installed in a metal lamp, metal reflective surface, or a narrow enclosed environment, the microwave will be reflected repeatedly and cause false triggering. Please reduce the sensitivity or contact the manufacturer for technical support.
- (6)Due to continuous improvement, the contents of this instruction could be changed without prior notice.
- (7)Different 0-10V drivers, different low brightness. The daylight threshold is measured in a sunny environment without shadow and ambient light diffuse reflection. Ambient lux level could be different in different environment, weather, climate, time-of-day and season.
- (8)Sensitivity distance is related to moving speed of objects, size of moving objects, mounting height, mounting angle, working environment, reflecting materials and etc.
- (9)Given detecting area is typical value that was measured by 165cm high testers in an indoor open environment.
- (10)This product have to use with voltage-stabilized DC power supply whose input voltage is stable and ripple factor is low(ripple factor is lower than 100mV; load current is greater than 25mA).
- (11)When installing in new environment, please install and test at least 5pcs product firstly before mass installation.