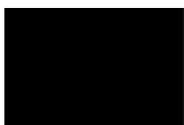




Base module;100 mm aluminum tube

Part no. SL7-CB-T-100
Catalog No. 171452
Alternate Catalog No. SL7-CB-T-100
EL-Nummer (Norway) 0004137707

Delivery program

| | | |
|----------------------------|--|--|
| Product range | | SL signal towers |
| Basic function | | Base module |
| Connection technique | | Spring-loaded terminals |
| Mounting type | | for horizontal mounting |
| Fitted with | | Base with aluminum tube and banjo bolt including cover |
| Tube length | | 100 mm |
| Number of modules | | max. 5 modules |
| Colour | | |
| | | black Aluminum color tube |
| | |  |
| For use with | | SL7-L-... SL7-BL-... SL7-FL-... SL7-AP-... |
| Connection to SmartWire-DT | | no |

Technical data

| | | | |
|---|--|-----------------|---|
| General | | | |
| Standards | | | IEC/EN 60947-5-1 |
| Climatic proofing | | | Damp heat, cyclic, to IEC 60068-2-30 |
| Mounting position | | | As required |
| Mechanical shock resistance | | g | > 15 according to IEC 60068-2-27 Shock duration 11 ms Sinusoidal |
| IEC degree of protection | | | IP66 IEC/EN 60529 |
| Protection type UL | | | Type 4, 4X, 13 |
| Cap colour | | | black Aluminum color tube |
| Ambient temperature | | °C | -30 - +60 |
| Number of signal elements | | | Max. 5 with standard base Max. 10 with base for mounting on both sides |
| Terminal capacity | | | |
| Solid or flexible conductor | | mm ² | 0.13 - 2.5 |
| Flexible with ferrule with plastic collar | | mm ² | 0.25 - 1.5 |
| | | | AWG 24 - AWG 14 |

Contacts

| | | | |
|---------------------------------------|------------------|------|-------|
| Rated impulse withstand voltage | U _{imp} | V AC | 4000 |
| Rated insulation voltage | U _i | V | 250 |
| Overvoltage category/pollution degree | | | III/3 |

modules

| | | | |
|---------------|--|--|---|
| Voltage range | | | 24 V AC/DC ± 10 % 110/120 V AC ± 10 % 230/240 V AC ± 10 % |
|---------------|--|--|---|

Design verification as per IEC/EN 61439

| | | | |
|--|--|----|-----|
| Technical data for design verification | | | |
| Operating ambient temperature min. | | °C | -30 |
| Operating ambient temperature max. | | °C | 60 |

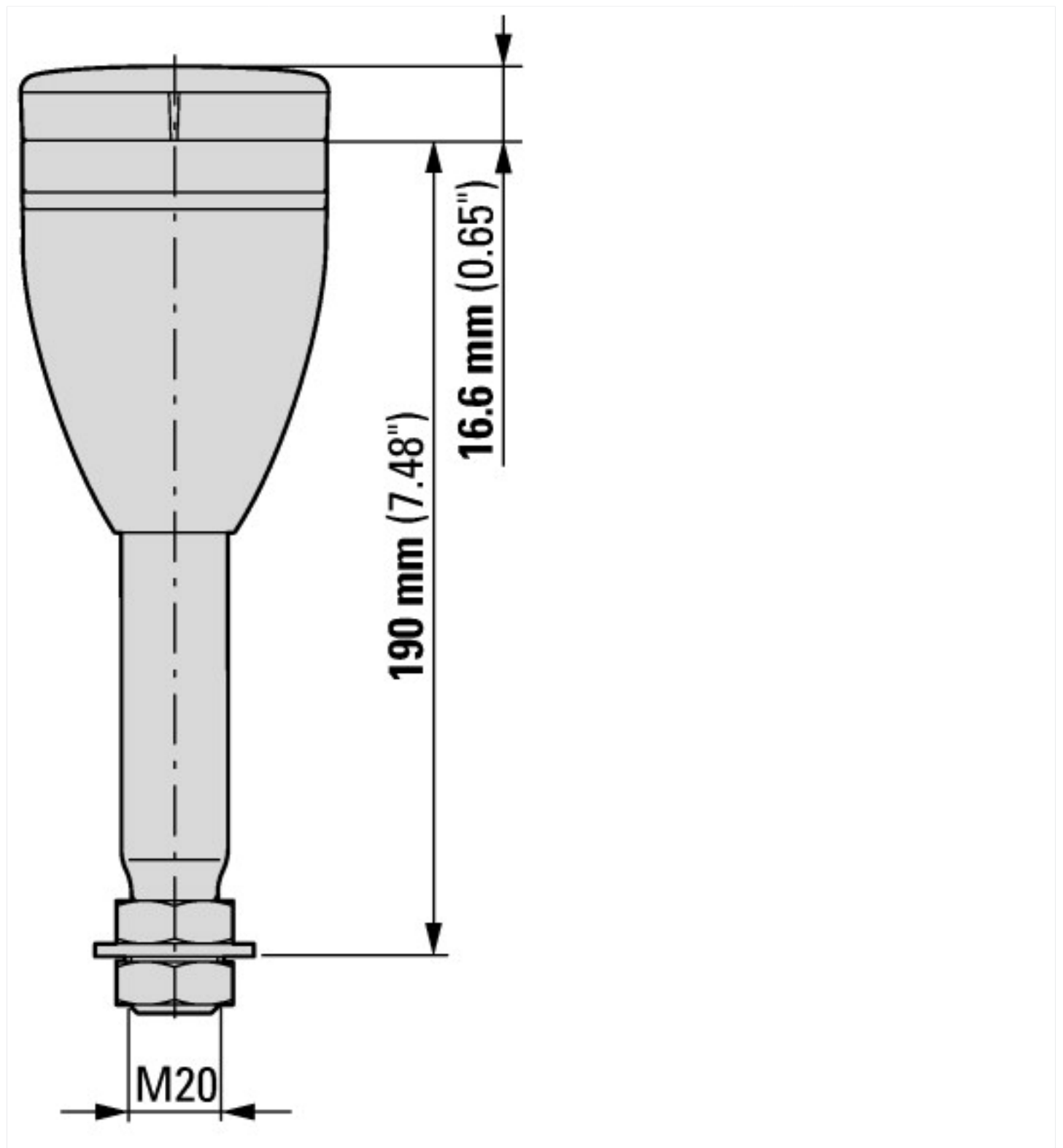
Technical data ETIM 7.0

| | | | |
|---|--|--|-------------------------|
| Low-voltage industrial components (EG000017) / Connection module for signal tower (EC001152) | | | |
| Electric engineering, automation, process control engineering / Low-voltage switch technology / Command and alarm device / Signal column element, connection module (ecl@ss10.0.1-27-37-12-32 [AKF050014]) | | | |
| Connection type auxiliary circuit | | | Spring clamp connection |
| Tube mounting possible | | | Yes |
| Bracket mounting possible | | | Yes |
| Floor mounting possible | | | Yes |
| Colour | | | Other |
| Suitable for AS interface | | | No |

Approvals

| | | | |
|-----------------------------|--|--|--|
| Product Standards | | | IEC/EN 60947-5-1; UL 508; CSA-C22.2 No. 14-10; CSA-C22.2 No. 94-91; CE marking |
| UL File No. | | | E29184 |
| UL Category Control No. | | | NKCR |
| CSA File No. | | | UL report applies to both US and Canada |
| CSA Class No. | | | NKCR7 |
| North America Certification | | | UL listed, certified by UL for use in Canada |
| Degree of Protection | | | UL Type 4, 4X, 13 |

Dimensions



Assets (links)

[Declaration of CE Conformity](#)

00002899

[Instruction Leaflets](#)

IL047003ZU2018_06