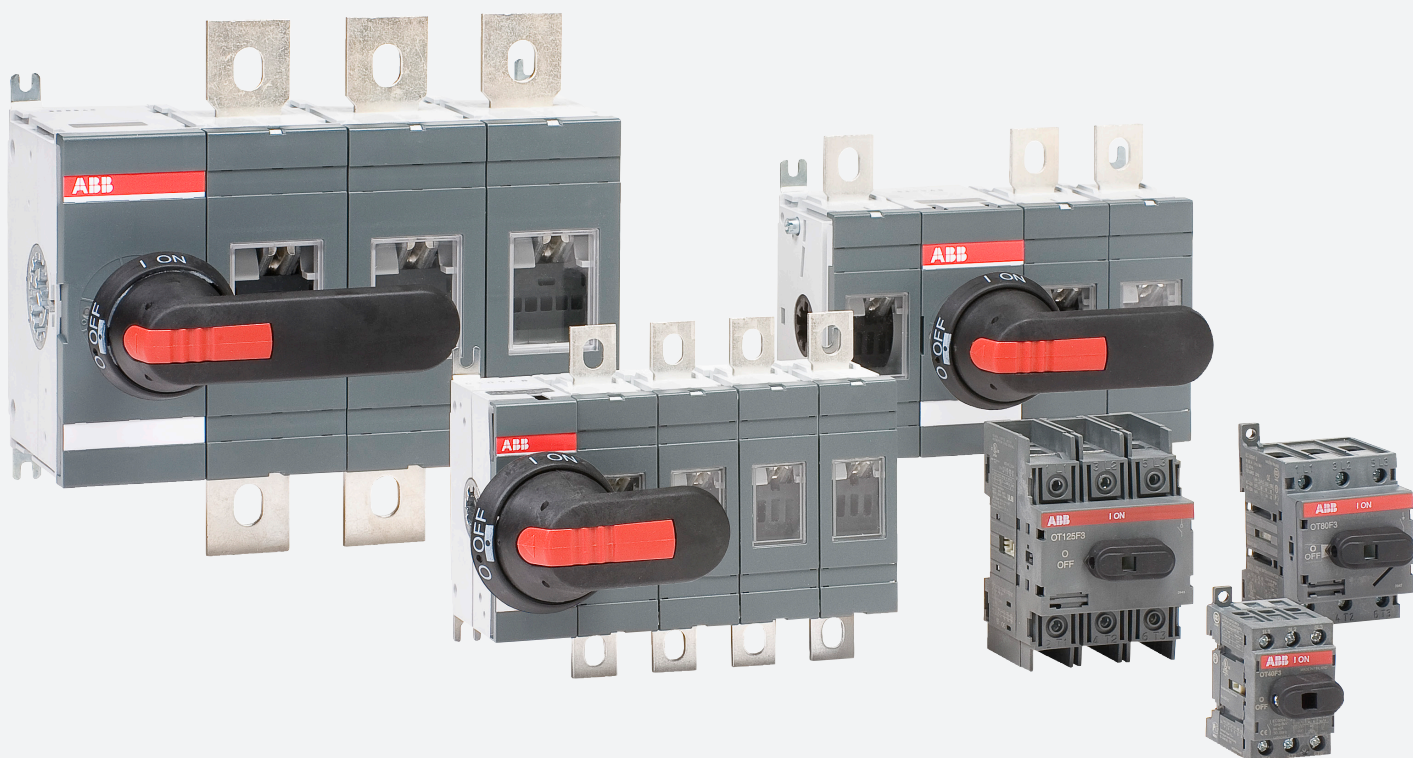


CATALOG

# Switch-disconnectors

High performance, compact solution



- **Reliable in extreme conditions**
- **Space saving**
- **Safety and protection**



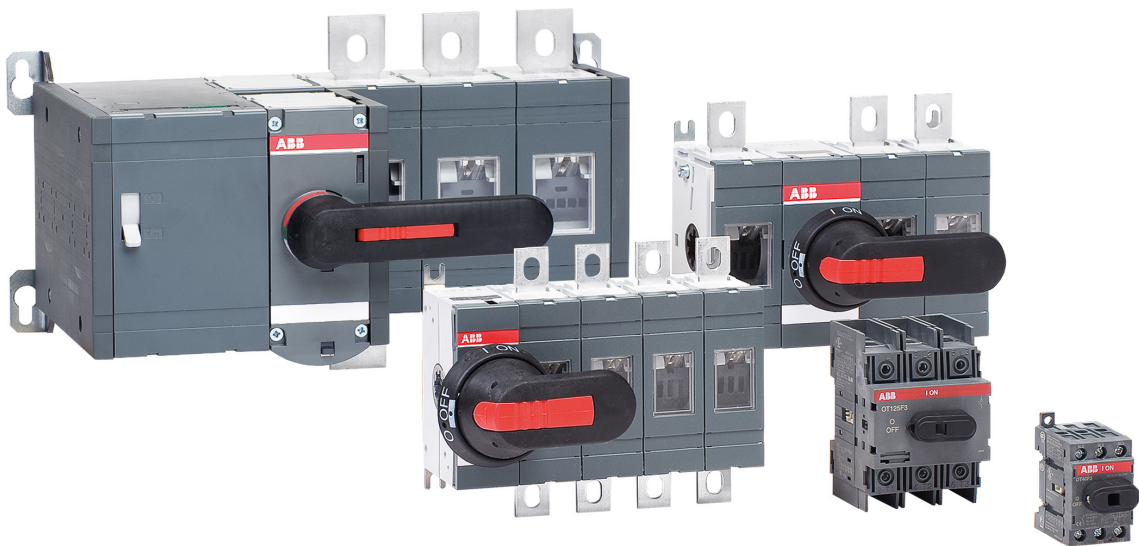
---

# Table of contents

|   |     |
|---|-----|
| <b>01. Introduction to manual switch-disconnectors OT160...4000</b> | 4   |
| <b>02. Manual switch-disconnectors OT16...160</b>                   | 6   |
| <b>03. Manual switch-disconnectors OT160...4000</b>                 | 88  |
| <b>04. Motorized switch-disconnectors</b>                           | 184 |

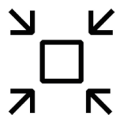
# Switch-disconnectors 16 to 4000 Amperes

ABB offers switch-disconnectors suitable for diverse applications such as machinery, power distribution, switchboards, motor control centers or photovoltaic installations. These devices are globally available and always supported by our skilled and dedicated worldwide service network. ABB also offers a complete range of enclosed switch-disconnectors in various enclosure materials.



## Reliable in extreme conditions

ABB switch-disconnectors are designed, built and tested for the best possible performance. They are designed to be virtually maintenance-free across their entire extended lifespan and offer reliable performance in any and all possible circumstances. Durability has been ensured by testing switches against the IEC609473, UL508, UL98 and CSA standards.



## Space saving

All our switches have been designed for easy and cost-efficient installation, maintenance and use. Their modular design and smaller dimensions enable installation into even the smallest enclosures saving precious space and significantly reducing material, handling and installation costs. The simple design also makes use easy, even without previous experience or training.



## Safety and protection

ABB switch-disconnectors come equipped with a comprehensive range of inbuilt safety features. All motorized switches can also be operated manually in emergency situations, but can also be padlocked when the handle is removed to prevent unwanted manual or remote operations or enable safe maintenance work.

## ABB switch-disconnectors are suited for a wide variety of demanding applications.

Whether it is for demanding motor load disconnecting or simple isolation applications, we offer a market-leading product portfolio of switch-disconnectors ranging from 16 to 4000 Amperes.

Thanks to their modular structure, our switches can serve both manual and motorized applications. These devices also help create purpose-built solutions from directly busbar mountable wide phase models to floor mounted earthing switches. All this with the highest level of performance and reliability.

### Typical switch-disconnector applications:



#### Switching of mixed loads for basically any application:

- Control panels
- Low-voltage switchgears
- Low-voltage substations



#### Motor disconnecting in various applications:

- Machine builders
- Motor control centers
- HVAC, pumps and conveyors



#### Heavy industries:

- Pulp & Paper
- Food & Beverage
- Refining & petrochemicals



#### Power generation and renewables:

- Wind turbines
- Solar plants
- Generating sets
- Power plants



# Manual switch-disconnectors OT16...160

## Compact and reliable performance

|  |    |
|--|----|
| <b>Manual switch-disconnectors</b>                         |    |
| Product overview   | 8  |
| Product range  | 9  |
| Type designation key for the types OT16...160              | 10 |
| <b>Technical data</b>                                      |    |
| Manual switch-disconnectors OT160, IEC and OT100...125, UL | 11 |
| <b>Ordering information</b>                                |    |
| Manual switch-disconnectors OT16...160                     | 16 |
| Manual switch-disconnectors OT16...160, IEC                | 18 |
| Manual switch-disconnectors OT16...160, UL                 | 20 |
| Accessory guide for OT160G                                 | 22 |
| Manual switch-disconnectors OT16...160, IEC/UL             | 23 |
| <b>Dimensional drawings</b>                                |    |
| Manual switch-disconnectors OT16...160                     | 24 |
| <b>OT Plus Switch disconnectors</b>                        |    |
| One giant leap to progress                                 | 34 |
| Type designation key                                       | 35 |
| Exploded view  | 36 |
| Product range  | 37 |
| Technical data IEC   | 39 |
| Technical data   | 42 |
| Ordering information                                       | 46 |
| <b>Ordering information for accessories</b>                |    |
| Handle accessories   | 64 |
| Handles  | 65 |
| Legend plates  | 70 |
| Legend plates and labelling accessories                    | 71 |
| Shafts   | 72 |
| Shaft accessories  | 73 |
| Auxiliary contacts   | 74 |
| Fourth poles   | 77 |
| Neutral and earth terminals                                | 78 |
| Terminal shrouds   | 79 |
| Terminal clamps  | 80 |
| Conversion kits  | 81 |
| Conversion kit accessories                                 | 84 |
| Locking accessories  | 85 |

# Manual switch-disconnectors OT16...160

## Compact and reliable performance

Manual switch-disconnectors by ABB are suitable for a wide range of demanding applications ranging from machinery to entire photovoltaic installations. They have been designed to be compact and reliable, offering high performance in even the most demanding environments.



### Easy to install

ABB switch-disconnectors are designed, built and tested for the best possible performance. They are designed to be virtually maintenance-free across their entire extended lifespan and offer reliable performance in any and all possible circumstances. Durability has been ensured by testing switches against the IEC60947-3, UL508, UL98 and CSA standards.



### Optimized logistics

All our switches have been designed for easy and cost-efficient installation, maintenance and use. Their modular design and smaller dimensions enable installation into even the smallest enclosures saving precious space and significantly reducing material, handling and installation costs. The simple design also makes use easy, even without previous experience or training.



### Safety and protection

ABB switch-disconnectors come equipped with a comprehensive range of inbuilt safety features. All motorized switches can also be operated manually in emergency situations, but can also be padlocked when the handle is removed to prevent unwanted manual or remote operations or enable safe maintenance work.



## Manual switch-disconnectors OT16...160

### Product range



| Manual operation     |  |       |       |        |
|----------------------|--|-------|-------|--------|
| IEC                  |  | OT16F | OT63F | OT100F |
|                      |  | OT25F | OT80F | OT125F |
|                      |  | OT40F |       |        |
| UL 508 file # E63822 |  | OT16F | OT63F |        |
|                      |  | OT25F | OT80F |        |
|                      |  | OT40F |       |        |
| UL 98 file # E101914 |  |       |       | OT30F  |
|                      |  |       |       | OT60F  |
|                      |  |       |       | OT100F |

| Switch size |                                     | 16   | 25   | 40   | 63   | 80   | 30   | 60   | 100   | 125   |
|-------------|-------------------------------------|------|------|------|------|------|------|------|-------|-------|
| IEC         | I <sub>th</sub>                     | 25 A | 32 A | 40 A | 63 A | 80 A | 40 A | 63 A | 115 A | 125 A |
|             | I <sub>e</sub> / AC22A, 400...415 V | 16 A | 25 A | 40 A | 63 A | 80 A | 40 A | 63 A | 100 A | 125 A |
|             | I <sub>e</sub> / AC23A, 400...415 V | 16 A | 20 A | 23 A | 63 A | 75 A | 40 A | 63 A | 80 A  | 90 A  |
| UL          | Ampere rating, 600 V                | 20 A | 30 A | 40 A | 60 A | 80 A | 30 A | 60 A | 100 A |       |



| Manual operation     |        |
|----------------------|--------|
| IEC                  | OT160G |
| UL 98 file # E101914 | OT160G |

| Switch size |                                     | 100   | 125   | 160   |
|-------------|-------------------------------------|-------|-------|-------|
| IEC         | I <sub>th</sub>                     |       |       | 160 A |
|             | I <sub>e</sub> / AC22A, 400...690 V |       |       | 160 A |
|             | I <sub>e</sub> / AC23A, 400...690 V |       |       | 160 A |
| UL          | Ampere rating, 600 V                | 100 A | 125 A |       |

### The selection of accessories for manual switch-disconnectors OT16...160 include:

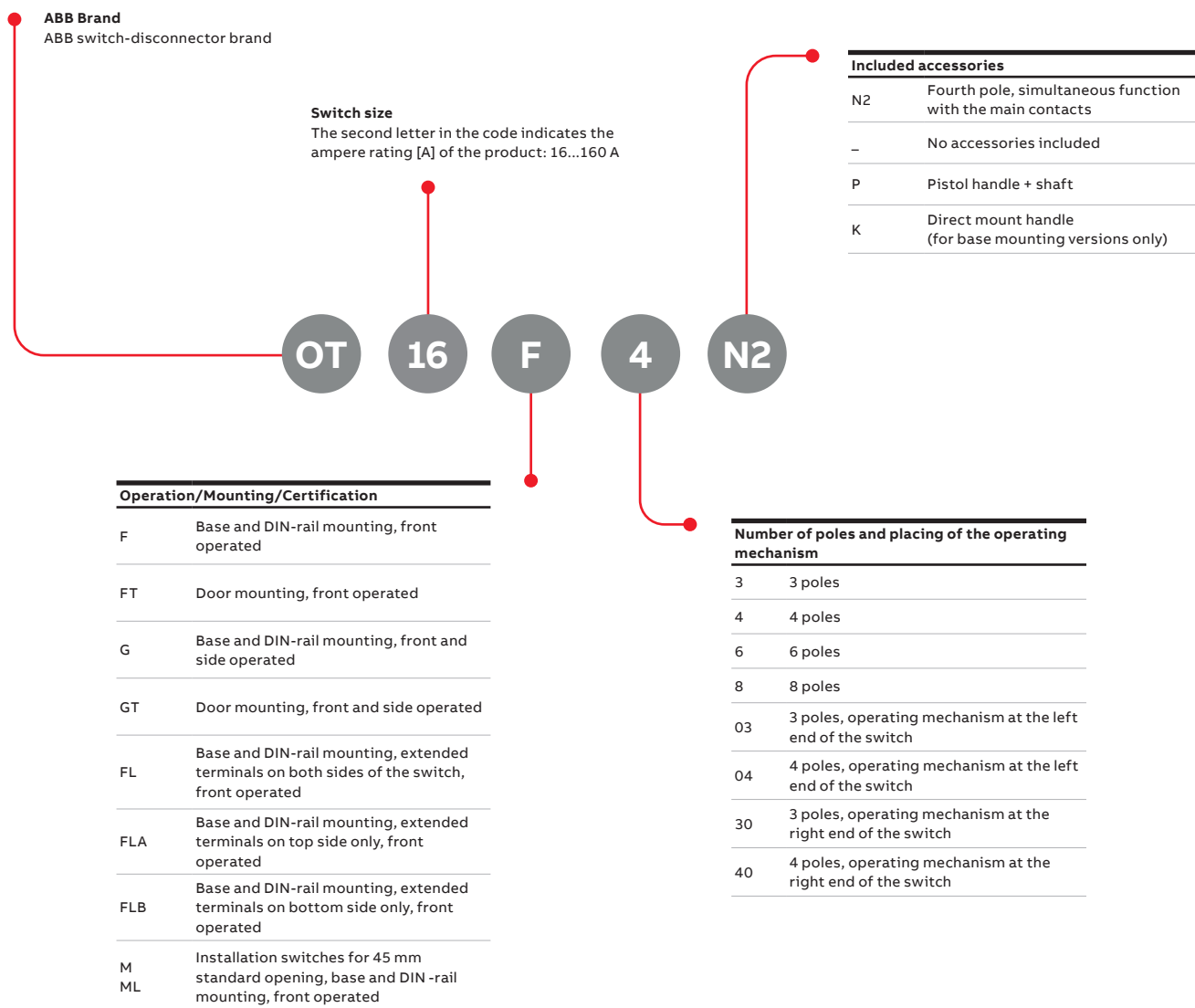
- Handles
- Legend plates
- Labelling accessories
- Shafts
- Auxiliary contacts
- Fourth poles
- N & PE terminals
- Terminal shrouds
- Terminal clamps
- Conversion kits
- Locking accessories

Please note that listed accessories are not automatically included in your order. Ordering information for accessories from page 38-41, 44, 46-48, 51-56 and 59-60.

## Manual switch-disconnectors OT16...160

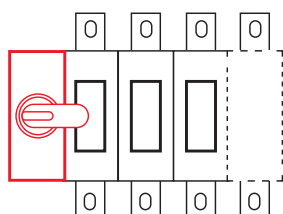
### Type designation key

Understanding the type code keys below will help you quickly identify the correct product for your needs

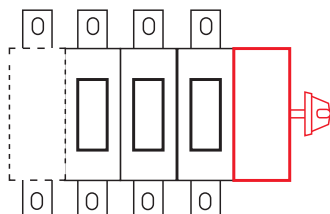


### Pole configuration table, OT160G

**Front operated**  
Configuration 03, 04:



**Side operated**  
Configuration 30, 40 or 03, 04:



# Manual switch-disconnectors OT16...125, IEC

## Technical data

### Technical data according to IEC 60947-3

| Switch type  |   | OT16F                     | OT25F                     | OT40F                     | OT63F                    | OT80F                    | OT100F                  | OT125F                  |              |
|--|---|---------------------------|---------------------------|---------------------------|--------------------------|--------------------------|-------------------------|-------------------------|--------------|
| Rated insulation voltage and rated operational voltage AC20/DC20   | Pollution degree 3                        | 750 V                     | 750 V                     | 750 V                     | 750 V                    | 750 V                    | 750 V                   | 750 V                   |              |
| Dielectric strength  | 50 Hz<br>1 min.                           | 6 kV                      | 6 kV                      | 6 kV                      | 6 kV                     | 6 kV                     | 6 kV                    | 6 kV                    |              |
| Rated impulse withstand voltage  |   | 8 kV                      | 8 kV                      | 8 kV                      | 8 kV                     | 8 kV                     | 8 kV                    | 8 kV                    |              |
| Rated thermal current and rated operational current AC20/DC20  | Ambient 40 °C <sup>2)</sup>               | In open air               | 25 A                      | 32 A                      | 40 A                     | 63 A                     | 80 A                    | 115 A                   | 125 A        |
|  | Ambient 40 °C <sup>2)</sup>               | In enclosure              | 25 A                      | 32 A                      | 40 A                     | 63 A                     | 80 A                    | 115 A                   | 125 A        |
|  | Ambient 60 °C                             | In enclosure              | 20 A                      | 25 A                      | 32 A                     | 50 A                     | 63 A                    | 80 A                    | 100 A        |
| ...with minimum conductor cross section  | Cu  | 4 mm <sup>2</sup>         | 6 mm <sup>2</sup>         | 10 mm <sup>2</sup>        | 16 mm <sup>2</sup>       | 25 mm <sup>2</sup>       | 35 mm <sup>2</sup>      | 50 mm <sup>2</sup>      |              |
| Rated operational current, AC-21A  | up to 415 V                               | 16 A                      | 25 A                      | 40 A                      | 63 A                     | 80 A                     | 100 A                   | 125 A                   |              |
|  | 440...690 V                               | 16 A                      | 25 A                      | 40 A                      | 63 A                     | 80 A                     | 100 A                   | 125 A                   |              |
| Rated operational current, AC-22A  | up to 415 V                               | 16 A                      | 25 A                      | 40 A                      | 63 A                     | 80 A                     | 100 A                   | 125 A                   |              |
|  | 440...690 V                               | 16 A                      | 25 A                      | 40 A                      | 63 A                     | 80 A                     | 100 A                   | 125 A                   |              |
| Rated operational current, AC-23A  | up to 415 V                               | 16 A                      | 20 A                      | 23 A                      | 63 A                     | 75 A                     | 80 A                    | 90 A                    |              |
|  | 440 V                                     | 16 A                      | 20 A                      | 23 A                      | 63 A                     | 65 A                     | 65 A                    | 78 A                    |              |
|  | 500 V                                     | 16 A                      | 20 A                      | 23 A                      | 45 A                     | 58 A                     | 60 A                    | 70 A                    |              |
|  | 690 V                                     | 10 A                      | 11 A                      | 12 A                      | 20 A                     | 20 A                     | 40 A                    | 50 A                    |              |
|  |   |                           |                           |                           |                          |                          |                         |                         |              |
| Rated operational current / poles in series, DC-21A  | 24...48 V <sup>1)</sup>                   | 16 A/1                    | 25 A/1                    | 32 A/1                    | 63 A/1                   | 80 A/1                   | 100 A/1                 | 125 A/1                 |              |
|  | 110 V                                     | 16 A/2                    | 25 A/2                    | 32 A/2                    | 63 A/2                   | 80 A/2                   | 100 A/2                 | 125 A/2                 |              |
|  | 220 V                                     | 16 A/3                    | 25 A/3                    | 32 A/3                    | 63 A/4                   | 80 A/4                   | 100 A/4                 | 125 A/4                 |              |
|  | 440 V                                     | 16 A/4                    | 16 A/4                    | 16 A/4                    | 16 A/4                   | 16 A/4                   | -                       | -                       |              |
|  | 500 V                                     | 16 A/4                    | 16 A/4                    | 16 A/4                    | 16 A/4                   | 16 A/4                   | -                       | -                       |              |
|  | 750 V                                     | 16 A/8                    | 25 A/8                    | 32 A/8                    | -                        | -                        | -                       | -                       |              |
| Rated operational current / poles in series, DC-22A  | 24...48 V <sup>1)</sup>                   | 16 A/1                    | 25 A/1                    | 32 A/1                    | 63 A/1                   | 80 A/1                   | 100 A/1                 | 125 A/1                 |              |
|  | 110 V                                     | 16 A/2                    | 25 A/2                    | 32 A/2                    | 63 A/2                   | 80 A/2                   | 100 A/2                 | 125 A/2                 |              |
|  | 220 V                                     | 16 A/3                    | 25 A/3                    | 32 A/4                    | 45 A/4                   | 45 A/4                   | 63 A/4                  | 80 A/4                  |              |
|  | 440 V                                     | 10 A/4                    | 10 A/4                    | 10 A/4                    | 10 A/4                   | 10 A/4                   | -                       | -                       |              |
|  | 750 V                                     | 16 A/8                    | 25 A/8                    | 25 A/8                    | -                        | -                        | -                       | -                       |              |
|  |   |                           |                           |                           |                          |                          |                         |                         |              |
| Rated operational current / poles in series, DC-23A  | 24...48 V <sup>1)</sup>                   | 16 A/1                    | 25 A/1                    | 32 A/1                    | 63 A/1                   | 80 A/1                   | 100 A/1                 | 125 A/1                 |              |
|  | 110 V                                     | 16 A/2                    | 25 A/2                    | 32 A/2                    | 63 A/2                   | 80 A/2                   | 100 A/2                 | 125 A/2                 |              |
|  | 220 V                                     | 16 A/4                    | 25 A/4                    | 32 A/4                    | 45 A/4                   | 45 A/4                   | 63 A/4                  | 63 A/4                  |              |
|  | 440 V                                     | 10 A/4                    | 10 A/4                    | 10 A/4                    | 10 A/4                   | 10 A/4                   | -                       | -                       |              |
|  | 750 V                                     | 16 A/8                    | 16 A/8                    | 16 A/8                    | -                        | -                        | -                       | -                       |              |
|  |   |                           |                           |                           |                          |                          |                         |                         |              |
| Rated operational power, AC-23A<br>(These values are given for guidance and may vary acc. to the motor manufacturer)   | 220...240 V                               | 3 kW                      | 4 kW                      | 5.5 kW                    | 11 kW                    | 22 kW                    | 22 kW                   | 22 kW                   |              |
|  | 400...415 V                               | 7.5 kW                    | 9 kW                      | 11 kW                     | 22 kW                    | 37 kW                    | 37 kW                   | 45 kW                   |              |
|  | 440...500 V                               | 7.5 kW                    | 9 kW                      | 11 kW                     | 22 kW                    | 37 kW                    | 37 kW                   | 45 kW                   |              |
|  | 690 V                                     | 7.5 kW                    | 9 kW                      | 11 kW                     | 15 kW                    | 18.5 kW                  | 37 kW                   | 45 kW                   |              |
|  |   |                           |                           |                           |                          |                          |                         |                         |              |
| Rated breaking capacity, AC-23A  | up to 415 V                               | 128 A                     | 160 A                     | 184 A                     | 360 A                    | 640 A                    | 640 A                   | 720 A                   |              |
|  | 440 V                                     | 128 A                     | 160 A                     | 184 A                     | 360 A                    | 448 A                    | 520 A                   | 624 A                   |              |
|  | 500 V                                     | 128 A                     | 160 A                     | 184 A                     | 360 A                    | 464 A                    | 480 A                   | 560 A                   |              |
|  | 690 V                                     | 80 A                      | 88 A                      | 96 A                      | 160 A                    | 160 A                    | 320 A                   | 400 A                   |              |
|  |   |                           |                           |                           |                          |                          |                         |                         |              |
| Rated breaking capacity/<br>poles in series, DC-23A  | 24...48 V                                 | 64 A/1                    | 100 A/1                   | 128 A/1                   | 180 A/1                  | 252 A/1                  | 400 A/1                 | 500 A/1                 |              |
|  | 110 V                                     | 64 A/2                    | 100 A/2                   | 128 A/2                   | 180 A/2                  | 252 A/2                  | 400 A/2                 | 500 A/2                 |              |
|  | 220 V                                     | 64 A/3                    | 100 A/4                   | 128 A/4                   | 180 A/4                  | 180 A/4                  | 252 A/4                 | 252 A/4                 |              |
|  | 440 V                                     | 40 A/4                    | 40 A/4                    | 40 A/4                    | 40 A/4                   | 40 A/4                   | -                       | -                       |              |
|  | 750 V                                     | 64 A/8                    | 64 A/8                    | 64 A/8                    | -                        | -                        | -                       | -                       |              |
|  |   |                           |                           |                           |                          |                          |                         |                         |              |
| Rated conditional short-circuit current I <sub>q</sub> (r.m.s.) and corresponding max. Allowed cut-off current I <sub>c</sub> of fuse. The cut-off current I <sub>c</sub> refers to values listed by fuse manufacturers (single phase test acc. to IEC60269) | I <sub>q</sub> 50kA, ≤415V                | I <sub>c</sub>            | 6.5 kA                    | 6.5 kA                    | 6.5 kA                   | 13 kA                    | 13 kA                   | 16.5 kA                 | 16.5 kA      |
|  | Max. OFA_fuse size                        | gG/aM                     | 40 A/32 A                 | 40 A/32 A                 | 40 A/32 A                | 100 A/80 A               | 100 A/80 A              | 125 A/125 A             | 125 A/125 A  |
|  | I <sub>q</sub> 100kA, 500V                | I <sub>c</sub>            | -                         | -                         | -                        | 17 kA                    | 17 kA                   | -                       | -            |
|  | Max. OFA_fuse size                        | gG/aM                     | -                         | -                         | -                        | 100 A/80 A               | 100 A/80 A              | -                       | -            |
|  | I <sub>q</sub> 10kA, 690V                 | I <sub>c</sub>            | -                         | -                         | -                        | -                        | -                       | 8.2 kA                  | 8.2 kA       |
|  | Max. OFA_fuse size                        | gG/aM                     | -                         | -                         | -                        | -                        | -                       | 125 A/100 A             | 125 A/100 A  |
| I <sub>q</sub> 50kA, 690V  | I <sub>c</sub>                            | 4 kA                      | 4 kA                      | 4 kA                      | 11 kA                    | 11 kA                    | 10 kA                   | 10 kA                   |              |
| Max. OFA_fuse size   | gG/aM                                     | 25 A/16 A                 | 25 A/16 A                 | 25 A/16 A                 | 80 A/63 A                | 80 A/63 A                | 63 A/63 A               | 63 A/63 A               |              |
| Rated short-time withstand current   | r.m.s. -value I <sub>cw</sub>             | 690 V, 1 s                | 0.5 kA                    | 0.5 kA                    | 0.5 kA                   | 1.5 kA                   | 1.5 kA                  | 2.5 kA                  | 2.5 kA       |
| Rated short circuit making capacity  | Peak value I <sub>cm</sub>                | 690 V/500 V               | 0.71 kA                   | 0.71 kA                   | 0.71 kA                  | 2.1 kA                   | 2.1 kA                  | 3.6 kA                  | 3.6 kA       |
| Rated capacitor power (the capacitor ratings are limited by the fuse link.)  |   | 400...415 V               | 6.5 kVAr                  | 10 kVAr                   | 15 kVAr                  | 25 kVAr                  | 30 kVAr                 | 40 kVAr                 | 50 kVAr      |
| Power loss/pole  | At rated operational current              |                           | 0.3 W                     | 0.6 W                     | 1.6 W                    | 2.8 W                    | 4.5 W                   | 4.0 W                   | 6.3 W        |
| Mechanical endurance   | Divide by two for operation cycles        |                           | 20 000 Oper.              | 20 000 Oper.              | 20 000 Oper.             | 20 000 Oper.             | 20 000 Oper.            | 20 000 Oper.            | 20 000 Oper. |
| Weight without accessories   | 3-pole                                    |                           | 0.11 kg                   | 0.11 kg                   | 0.11 kg                  | 0.27 kg                  | 0.27 kg                 | 0.36 kg                 | 0.36 kg      |
|  | 4-pole                                    |                           | 0.15 kg                   | 0.15 kg                   | 0.15 kg                  | 0.35 kg                  | 0.35 kg                 | 0.50 kg                 | 0.50 kg      |
| Cable size   | Cu-wire size suitable for terminal clamps | 0.75...10 mm <sup>2</sup> | 0.75...10 mm <sup>2</sup> | 0.75...10 mm <sup>2</sup> | 1.5...35 mm <sup>2</sup> | 1.5...35 mm <sup>2</sup> | 10...70 mm <sup>2</sup> | 10...70 mm <sup>2</sup> |              |
|  |   | 18-8 AWG                  | 18-8 AWG                  | 18-8 AWG                  | 14-4 AWG                 | 14-4 AWG                 | 8-00 AWG                | 8-00 AWG                |              |
| Terminal tightening torque   | Counter torque required                   |                           | 0.8 Nm                    | 0.8 Nm                    | 0.8 Nm                   | 2 Nm                     | 2 Nm                    | 6 Nm                    | 6 Nm         |
| Operating torque   | 3-pole switch-disconnector                |                           | 1 Nm                      | 1 Nm                      | 1 Nm                     | 1.2 Nm                   | 1.2 Nm                  | 2 Nm                    | 2 Nm         |

<sup>1)</sup> Below 48 V, two poles in parallel up to OT80 are recommended particularly in polluted atmosphere.

<sup>2)</sup> Acc. to IEC 60947-1, § 6.1.1.

## Manual switch-disconnectors OT16...100, UL

Technical data for non fusible disconnect switches

### Technical data according to UL/CSA, AC ratings

| Switch type                                |                   |                          | OT16F                    |              | OT25F                    |              | OT40F                    |              | OT63F                    |              | OT80F                    |   | OT30F                    |   | OT60F                    |              | OT100F                   |  |
|--|-------------------|--------------------------|--------------------------|--------------|--------------------------|--------------|--------------------------|--------------|--------------------------|--------------|--------------------------|---|--------------------------|---|--------------------------|--------------|--------------------------|--|
|  | Approval          | cUL <sub>US</sub> Listed | cUL <sub>US</sub> Listed |              | cUL <sub>US</sub> Listed |              | cUL <sub>US</sub> Listed |              | cUL <sub>US</sub> Listed |              | cUL <sub>US</sub> Listed |   | cUL <sub>US</sub> Listed |   | cUL <sub>US</sub> Listed |              | cUL <sub>US</sub> Listed |  |
|  |                   | E63822                   | E63822                   |              | E63822                   |              | E63822                   |              | E63822                   |              | E63822                   |   | E101914                  |   | E101914                  |              | E101914                  |  |
|  | Compliance        | UL508                    | UL508                    |              | UL508                    |              | UL508                    |              | UL508                    |              | UL508                    |   | UL98                     |   | UL98                     |              | UL98                     |  |
|  |                   | CSA C22.2 No.14          | CSA C22.2 No.14          |              | CSA C22.2 No.14          |              | CSA C22.2 No.14          |              | CSA C22.2 No.14          |              | CSA C22.2 No.14          |   | CSA C22.2 No.4           |   | CSA C22.2 No.4           |              | CSA C22.2 No.4           |  |
| General purpose amp rating                 | pf= 0.7...0.8     | -40° to 40 °C            | 20 A                     |              | 30 A                     |              | 40 A                     |              | 60 A                     |              | 80 A                     |   | 30 A                     |   | 60 A                     |              | 100 A                    |  |
| Max. operating voltage                     |                   |                          | 600 V                    |              | 600 V                    |              | 600 V                    |              | 600 V                    |              | 600 V                    |   | 600 V                    |   | 600 V                    |              | 600 V                    |  |
| Max. horsepower rating / motor FLA current | pf= 0.4...0.5     | 240 V                    | 5 HP/15.2 A              |              | 7.5 HP/22.0 A            |              | 10 HP/28.0 A             |              | 15 HP/42.0 A             |              | 20 HP/54.0 A             |   | 10 HP/28.0 A             |   | 20 HP/54.0 A             |              | 30 HP/80.0 A             |  |
|  |                   | 480 V                    | 10 HP/14.0 A             |              | 15 HP/21.0 A             |              | 20 HP/27.0 A             |              | 30 HP/40.0 A             |              | 40 HP/52.0 A             |   | 20 HP/27.0 A             |   | 40 HP/52.0 A             |              | 50 HP/65.0 A             |  |
|  |                   | 600 V                    | 10 HP/11.0 A             |              | 20 HP/22.0 A             |              | 25 HP/27.0 A             |              | 30 HP/32.0 A             |              | 40 HP/41.0 A             |   | 30 HP/32.0 A             |   | 40 HP/41.0 A             |              | 50 HP/52.0 A             |  |
|  | Single phase      | 120 V                    | 1 HP/16.0 A              |              | 1.5 HP/20.0 A            |              | 2 HP/24.0 A              |              | 2 HP/24.0 A              |              | 2 HP/24.0 A              |   | 2 HP/24.0 A              |   | 3 HP/34.0 A              |              | 5 HP/56.0 A              |  |
|  |                   | 240 V                    | 2 HP/12.0 A              |              | 3 HP/17.0 A              |              | 5 HP/28.0 A              |              | 7.5 HP/40.0 A            |              | 10 HP/50.0 A             |   | 5 HP/28.0 A              |   | 7.5 HP/40.0 A            |              | 15 HP/68.0 A             |  |
|  |                   | 480 V                    | 5 HP/14.0 A              |              | 7.5 HP/21.0 A            |              | 10 HP/26.0 A             |              | 15 HP/34.0 A             |              | 20 HP/44.0 A             |   | -                        |   | -                        |              | 25 HP/55.0 A             |  |
|  | 600 V             | 7.5 HP/16.0 A            |                          | 10 HP/20.0 A |                          | 15 HP/27.0 A |                          | 15 HP/27.0 A |                          | 20 HP/38.5 A |                          | - |                          | - |                          | 20 HP/35.0 A |                          |  |
| Short circuit rating with fuse             | Maximum fuse size |                          | 30 A 60 A                |              | 30 A 60 A                |              | 30 A 60 A                |              | 100 A 150 A              |              | 100 A 150 A              |   | 60 A                     |   | 60 A                     |              | 150 A 100 A              |  |
|  | Fuse type         | J                        | 10 kA 10 kA              |              | 10 kA 10 kA              |              | 10 kA 10 kA              |              | 100 kA -                 |              | 100 kA -                 |   | 200 kA                   |   | 200 kA                   |              | 50 kA 200 kA             |  |
|  | Fuse type         | T                        | 10 kA 10 kA              |              | 10 kA 10 kA              |              | 10 kA 10 kA              |              | 100 kA -                 |              | 100 kA -                 |   | 200 kA                   |   | 200 kA                   |              | 50 kA 200 kA             |  |
|  | Fuse type         | RK1                      | 10 kA -                  |              | 10 kA -                  |              | 10 kA -                  |              | -                        |              | -                        |   | -                        |   | -                        |              | -                        |  |
|  | Fuse type         | RK5*                     | 5 kA 5 kA                |              | 5 kA 5 kA                |              | 5 kA 5 kA                |              | 10 kA 5 kA               |              | 10 kA 5 kA               |   | -                        |   | -                        |              | -                        |  |
|  | Fuse type         | L                        | -                        |              | -                        |              | -                        |              | -                        |              | -                        |   | -                        |   | -                        |              | -                        |  |
|  | Fuse type         | H                        | -                        |              | -                        |              | -                        |              | 5 kA                     |              | 5 kA                     |   | -                        |   | -                        |              | -                        |  |

### Endurances

|   |  |                 |                |  |                |  |                |  |               |  |               |  |                 |  |                 |  |                 |  |
|---|--|-----------------|----------------|--|----------------|--|----------------|--|---------------|--|---------------|--|-----------------|--|-----------------|--|-----------------|--|
| Min. electrical endurance, pf. 0.75...0.8 |  |                 | 6 000 Oper.    |  | 6 000 Oper.    |  | 6 000 Oper.    |  | 6 000 Oper.   |  | 6 000 Oper.   |  | 6 000 Oper.     |  | 6 000 Oper.     |  | 6 000 Oper.     |  |
| Mechanical endurance                      |  |                 | 20 000 Oper.   |  | 20 000 Oper.   |  | 20 000 Oper.   |  | 20 000 Oper.  |  | 20 000 Oper.  |  | 20 000 Oper.    |  | 20 000 Oper.    |  | 20 000 Oper.    |  |
| Terminal lugs                             |  |                 | integrated     |  | integrated     |  | integrated     |  | integrated    |  | integrated    |  | integrated      |  | integrated      |  | integrated      |  |
| Copper wire range                         |  | 60-75 °C        | 18-8 AWG       |  | 18-8 AWG       |  | 18-8 AWG       |  | 14-4 AWG      |  | 14-4 AWG      |  | 14-4 AWG        |  | 14-4 AWG        |  | 8-1/0 AWG       |  |
| Torque                                    |  | Wire tightening | 0.8 Nm/7 lb.in |  | 0.8 Nm/7 lb.in |  | 0.8 Nm/7 lb.in |  | 2 Nm/18 lb.in |  | 2 Nm/18 lb.in |  | 6.2 Nm/55 lb.in |  | 6.2 Nm/55 lb.in |  | 6.2 Nm/55 lb.in |  |

\* Fuse size 70 A for RK5.

## Manual switch-disconnectors OT16...100, UL

Technical data for non fusible disconnect switches

**Technical data according to IEC 60947-3**

| Switch type   |  | OT16F       | OT25F        | OT40F        | OT63F        | OT80F        | OT30F        | OT60F        | OT100F       |              |
|---|--|-------------|--------------|--------------|--------------|--------------|--------------|--------------|--------------|--------------|
| Rated insulation voltage and rated operational voltage AC20/DC20  | Pollution degree 3                         | 750 V       | 750 V        | 750 V        | 750 V        | 750 V        | 750 V        | 750 V        | 750 V        |              |
| Dielectric strength   | 50 Hz 1 min.                               | 6 kV        | 6 kV         | 6 kV         | 6 kV         | 6 kV         | 6 kV         | 6 kV         | 6 kV         |              |
| Rated impulse withstand voltage   |  | 8 kV        | 8 kV         | 8 kV         | 8 kV         | 8 kV         | 8 kV         | 8 kV         | 8 kV         |              |
| Rated operational current, AC-22A   | up to 415 V                                | 16 A        | 25 A         | 40 A         | 63 A         | 80 A         | 40 A         | 63 A         | 100 A        |              |
|   | 440...500 V                                | 16 A        | 25 A         | 40 A         | 63 A         | 80 A         | 40 A         | 63 A         | 100 A        |              |
|   | 690 V                                      | 16 A        | 25 A         | 40 A         | 63 A         | 80 A         | 40 A         | 63 A         | 100 A        |              |
| Rated operational current, AC-23A   | up to 415 V                                | 16 A        | 20 A         | 23 A         | 63 A         | 75 A         | 40 A         | 63 A         | 80 A         |              |
|   | 440 V                                      | 16 A        | 20 A         | 23 A         | 63 A         | 65 A         | 40 A         | 63 A         | 65 A         |              |
|   | 500 V                                      | 16 A        | 20 A         | 23 A         | 45 A         | 58 A         | 40 A         | 63 A         | 60 A         |              |
|   | 690 V                                      | 10 A        | 11 A         | 12 A         | 20 A         | 20 A         | 40 A         | 40 A         | 40 A         |              |
| Rated conditional short-circuit current $I_q$ (r.m.s.) and corresponding max. Allowed cut-off current $\hat{I}_c$ of fuse. The cut-off current $\hat{I}_c$ refers to values listed by fuse manufacturers (single phase test acc. To IEC60269) | $I_q$ 50kA, 415V<br>Max. OFA_<br>fuse size | $\hat{I}_c$ | 6.5 kA       | 6.5 kA       | 6.5 kA       | 13 kA        | 13 kA        | 16.5 kA      | 16.5 kA      | 16.5 kA      |
|   |  | gG/aM       | 40 A/32 A    | 40 A/32 A    | 40 A/32 A    | 100 A/80 A   | 100 A/80 A   | 125 A/125 A  | 125 A/125 A  | 125 A/125 A  |
|   | $I_q$ 10kA, 690V<br>Max. OFA_<br>fuse size | $\hat{I}_c$ | -            | -            | -            | -            | 8.2 kA       | 8.2 kA       | 8.2 kA       |              |
|   |  | gG/aM       | -            | -            | -            | -            | 125 A/100 A  | 125 A/100 A  | 125 A/100 A  |              |
|   | $I_q$ 50kA, 690V<br>Max. OFA_<br>fuse size | $\hat{I}_c$ | 4 kA         | 4 kA         | 4 kA         | 11 kA        | 11 kA        | 10 kA        | 10 kA        | 10 kA        |
|   |  | gG/aM       | 25 A/16 A    | 25 A/16 A    | 25 A/16 A    | 80 A/63 A    | 80 A/63 A    | 63 A/63 A    | 63 A/63 A    | 63 A/63 A    |
| Rated short-time withstand current  | r.m.s. -value<br>$I_{cw}$                  | 690 V, 1 s  | 0.5 kA       | 0.5 kA       | 0.5 kA       | 1.5 kA       | 1.5 kA       | 2.5 kA       | 2.5 kA       | 2.5 kA       |
| Rated short circuit making capacity   | Peak value $I_{cm}$                        | 690 V/500 V | 0.71 kA      | 0.71 kA      | 0.71 kA      | 2.1 kA       | 2.1 kA       | 3.6 kA       | 3.6 kA       | 3.6 kA       |
| Power loss / pole   | At rated operational current               |             | 0.3 W        | 0.6 W        | 1.6 W        | 2.8 W        | 4.5 W        | 0.7 W        | 1.6 W        | 4.0 W        |
| Mechanical endurance  | Divide by two for operation cycles         |             | 20 000 Oper. | 20 000 Oper. | 20 000 Oper. | 20 000 Oper. | 20 000 Oper. | 20 000 Oper. | 20 000 Oper. | 20 000 Oper. |
| Weight without accessories  | 3-pole                                     |             | 0.11 kg      | 0.11 kg      | 0.11 kg      | 0.27 kg      | 0.27 kg      | 0.36 kg      | 0.36 kg      | 0.36 kg      |
|   | 4-pole                                     |             | 0.15 kg      | 0.15 kg      | 0.15 kg      | 0.35 kg      | 0.35 kg      | 0.50 kg      | 0.50 kg      | 0.50 kg      |

## Manual switch-disconnectors OT160G\_, IEC and UL

### Technical data for non fusible disconnect switches

#### Technical data according to IEC 60947

|   |   |                    |                                   |
|---|---|--------------------|-----------------------------------|
| Rated insulation voltage  |   | Pollution degree 3 | 1 000 V                           |
| Dielectric strength   |   | 50 Hz 1 min.       | 10 kV                             |
| Rated impulse withstand voltage   |   |                    | 12 kV                             |
| Rated thermal current in ambient 35 °C and temporarily 40 °C  |   | In open air        | 160 A                             |
| ...with minimum cable or bar cross section  |   | In enclosure       | 160 A                             |
| Rated operational voltage AC-20 and DC-20   |   | Cu                 | 70 mm <sup>2</sup>                |
| Rated operational current, AC-21A, AC-22A, AC-23A   |   | up to 415 V        | 1 000 V                           |
|   |   | 500 V              | 160 A                             |
|   |   | 690 V              | 160 A                             |
| Rated operational current / poles in series for DC-21A, DC-22A, DC23A   |   | Up to 220 V        | 160 A/2                           |
|   |   | 440 V              | 125 A/3                           |
|   |   | 680 V              | 125 A/4                           |
| Rated operational power, AC-23  | The kW-ratings are accurate for three-phase 1500 R.P.M. standard asynchronous motors. | 230 V              | 45 kW                             |
|   |   | 400 V              | 75 kW                             |
|   |   | 415 V              | 75 kW                             |
|   |   | 500 V              | 90 kW                             |
|   |   | 690 V              | 132 kW                            |
| Rated breaking capacity in category AC-23   |   | up to 500 V        | 1 280                             |
|   |   | 690 V              | 1 280                             |
| Rated conditional short-circuit current $I_c$ (r.m.s.) and corresponding max. Allowed cut-off current $\hat{I}_c$ of fuse. The cut-off current $\hat{I}_c$ refers to values listed by fuse manufacturers (single phase test acc. To IEC60269) | $I_c$ 100kA, 500V<br>Max. OFA_fuse size   | $\hat{I}_c$        | 30 kA                             |
|   | $I_c$ 100kA, 690V<br>Max. fuse size   | gG/aM              | 200 A/200 A                       |
|   |   | $\hat{I}_c$        | 24 kA                             |
|   |   | gG/aM              | -/200A                            |
| Rated short-time withstand current  | R.M.S.-value $I_{cw}$   | 690 V              | 0.25 s                            |
|   |   | 690 V              | 1 s                               |
| Rated short-circuit making capacity   | Peak value $I_{cm}$   | 690 V              | 7 kA                              |
| Rated capacitor power when no initial charge on the capacitor   | Capacitor ratings limited by fuse links   | 415 V              | 4 kA                              |
| Power loss / pole   | With rated current  |                    | 12 kA                             |
| Mechanical endurance  | Divide by two for operation cycles  |                    | 65 kVAr                           |
| Weight without accessories  | 3-pole switch   |                    | 6.5 W                             |
|   | 4-pole switch   |                    | 20 000 Oper.                      |
| Standard shaft and mounting depth   | Square dimension x length of shaft  |                    | 1.1 kg/0.5 lb                     |
|   | Corresponding mounting depth  |                    | 1.3 kg/0.6 lb                     |
| Standard handle   |   |                    | 6X210 mm                          |
| Cu-wire size suitable for terminal  | 60-75 °C  |                    | 230-248 mm/9.2-9.9 in             |
| Terminal tightening torque  |   |                    | OHB65J6 Type                      |
| Operating torque  | Typical for 3 and 4-pole switches   |                    | 10-70 mm <sup>2</sup> / 8-1/0 AWG |
|   |   |                    | 6 Nm/53 lb-in                     |
|   |   |                    | 4 Nm/35.3 lb-in                   |

#### Technical data according to UL98, CSA C22.2 No.4

|  |              |               | cULus Listed | UL Recognized |
|--|--------------|---------------|--------------|---------------|
| General purpose amp rating               | pf=0.7...0.8 | -40° to 40 °C | 100 A        | 125 A         |
| max. operating voltage                   |              |               | 600 V        | 600 V         |
| Max. horsepower rating/motor FLA current | pf=0.4...0.5 | 240 V AC      | 40 HP/104 A  | 40 HP/104 A   |
|  | Three phase  | 480 V AC      | 75 HP/96 A   | 75 HP/96 A    |
|  |              | 600 V AC      | 100 HP/99 A  | 100 HP/99 A   |
|  | Single phase | 240 V AC      | 20 HP/88 A   | 20 HP/88 A    |
|  |              | 480 V AC      | 30 HP/66 A   | 30 HP/66 A    |
|  |              | 250 Vdc       | 20 HP/60 A   | 20 HP/60 A    |
| Fuse size/short circuit rating           | Fuse type    | J             | 150 A/100 kA | 150 A/100 kA  |
|  |              | T             | 150 A/100 kA | 150 A/100 kA  |
|  |              | RK5           | 60 A/100 kA  | 60 A/100 kA   |

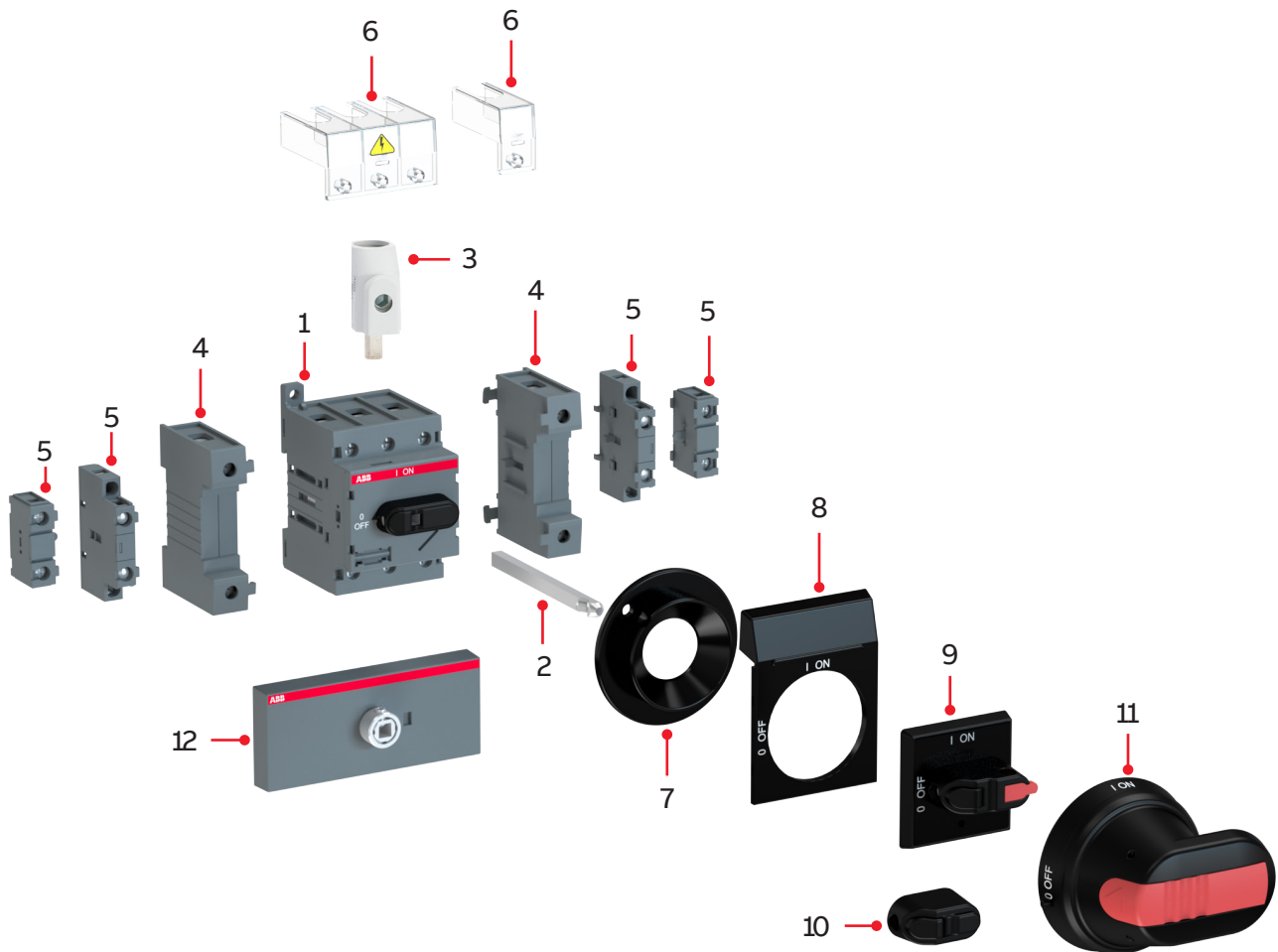
#### Endurances

|   |                            |                 |                         |                    |
|---|----------------------------|-----------------|-------------------------|--------------------|
| Min. electrical endurance, pf. 0.75 - 0.8 |                            |                 | 6 000 Oper. cycles      | 6 000 Oper. cycles |
| Mechanical endurance                      |                            |                 | 20 000 Operations       | 20 000 Operations  |
| Terminal lug kits                         |                            |                 | integrated              | integrated         |
| Wire range                                | Use copper conductors only | 60-75 °C        | 8-1/0 AWG               | 8-1/0 AWG          |
| Torque                                    |                            | Wire tightening | 53 lb.in                | 53 lb.in           |
| Weight without accessories                | 3-pole switch              |                 | 0.5 lb                  | 0.5 lb             |
|   | 4-pole switch              |                 | 0.6 lb                  | 0.6 lb             |
| Minimum enclosure dimensions              | Height x width x depth     |                 | 400 x 600 x 230 mm      | -                  |
|   |                            |                 | 15.75 x 23.62 x 9.06 in | -                  |



## Manual switch-disconnectors OT16...160

### Ordering information



### Accessory guide for OT16F...125F (base and DIN-rail mounted switch-disconnectors)

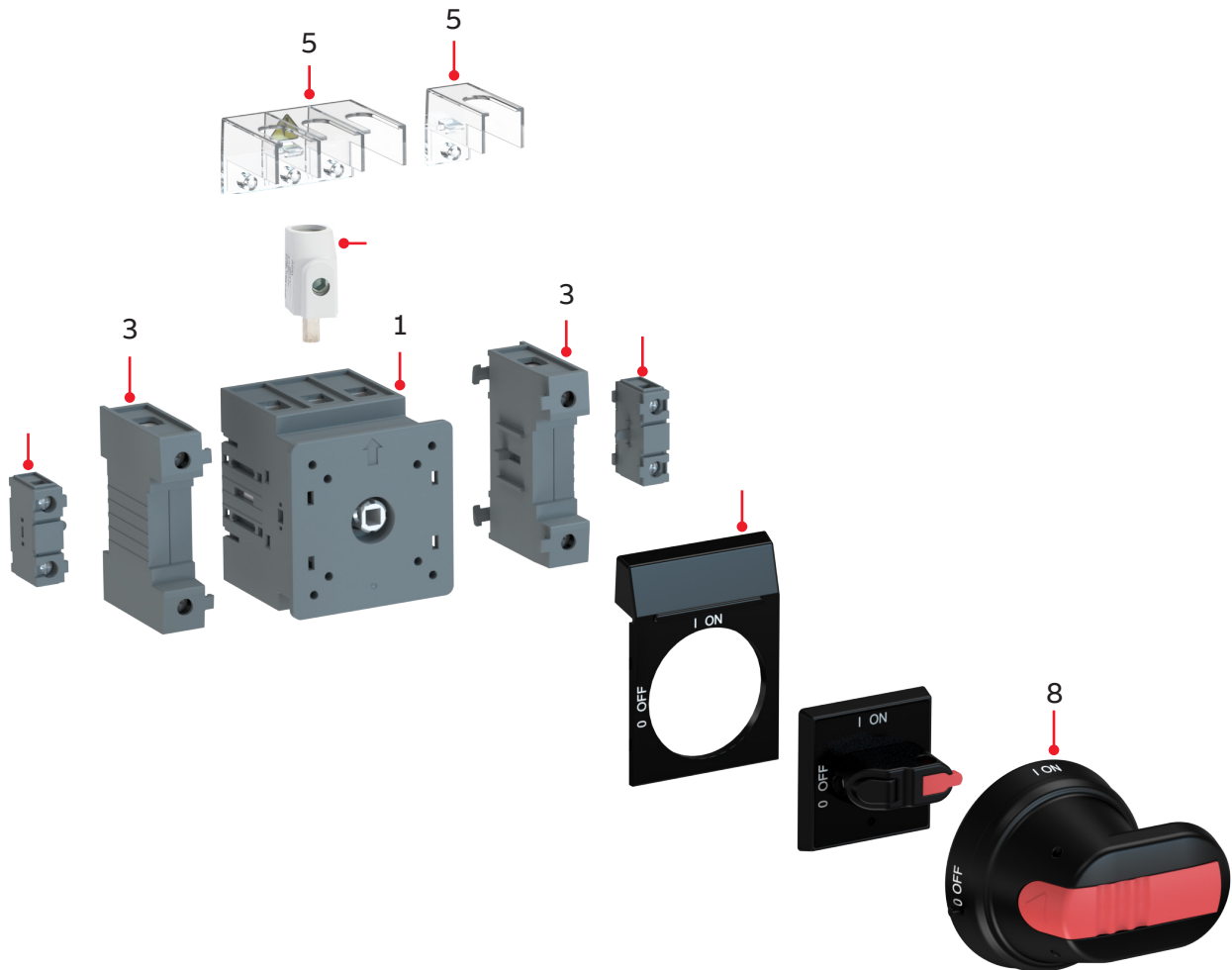
- |  |                           |
|--|---------------------------|
| 1. Switch-disconnector                 | 7. Shaft alignment ring   |
| 2. Extended shaft                      | 8. Legend plate           |
| 3. Terminal clamp                      | 9. Selector handle        |
| 4. Fourth pole,<br>N- and PE-terminals | 10. Handle knob           |
| 5. Auxiliary contact                   | 11. Pistol handle         |
| 6. Terminal shroud                     | 12. Conversion kit        |
|  | 13. Labelling accessories |

Please note that listed accessories are not automatically included in your order.



## Manual switch-disconnectors OT16...160

### Ordering information



### Accessory guide for OT16F...125F (door mounted switch-disconnectors)

- |  |                    |
|--|--------------------|
| 1. Switch-disconnector                 | 5. Terminal shroud |
| 2. Terminal clamp                      | 6. Legend plate    |
| 3. Fourth pole,<br>N- and PE-terminals | 7. Selector handle |
| 4. Auxiliary contact                   | 8. Pistol handle   |

Please note that listed accessories are not automatically included in your order.

## Manual switch-disconnectors OT16...160, IEC

### Ordering information



OT16...40F3



OT63...80F3



OT100...125F3



OT125FLB3



OT40M3



OT63ML4



OT125M4

### Front operated switch-disconnectors, base and DIN-rail mounting, IEC

Including protected terminal clamps IP20, except OT125FL\_ types.  
Handle and shaft are not included.

| Number of poles | Open air thermal current $I_{th}$ | Copper cable cross section | Rated operat. currents AC22A/AC23A 400...415 V | Type                    | Order code      | Weight/unit kg |
|-----------------|-----------------------------------|----------------------------|--|-------------------------|-----------------|----------------|
|                 | A                                 | mm <sup>2</sup>            | A/A  |                         |                 |                |
| 3               | 25                                | 0.75...10                  | 16/16  | OT16F3                  | 1SCA104811R1001 | 0.11           |
| 4               | 25                                | 0.75...10                  | 16/16  | OT16F4N2                | 1SCA104829R1001 | 0.14           |
| 3               | 32                                | 0.75...10                  | 25/20  | OT25F3                  | 1SCA104857R1001 | 0.11           |
| 4               | 32                                | 0.75...10                  | 25/20  | OT25F4N2                | 1SCA104886R1001 | 0.14           |
| 3               | 40                                | 0.75...10                  | 40/23  | OT40F3                  | 1SCA104902R1001 | 0.11           |
| 4               | 40                                | 0.75...10                  | 40/23  | OT40F4N2                | 1SCA104932R1001 | 0.14           |
| 3               | 63                                | 1.5...35                   | 63/63  | OT63F3                  | 1SCA105332R1001 | 0.27           |
| 4               | 63                                | 1.5...35                   | 63/63  | OT63F4N2                | 1SCA105365R1001 | 0.30           |
| 3               | 80                                | 1.5...35                   | 80/75  | OT80F3                  | 1SCA105798R1001 | 0.27           |
| 4               | 80                                | 1.5...35                   | 80/75  | OT80F4N2                | 1SCA105413R1001 | 0.30           |
| 3               | 115                               | 10...70                    | 100/80   | OT100F3                 | 1SCA105004R1001 | 0.36           |
| 4               | 115                               | 10...70                    | 100/80   | OT100F4N2               | 1SCA105018R1001 | 0.50           |
| 3               | 125                               | 10...70                    | 125/90   | OT125F3                 | 1SCA105033R1001 | 0.36           |
| 4               | 125                               | 10...70                    | 125/90   | OT125F4N2               | 1SCA105051R1001 | 0.50           |
| 3               | 125                               |                            | 125/90   | OT125FL3 <sup>1)</sup>  | 1SCA112372R1001 | 0.43           |
| 3               | 125                               |                            | 125/90   | OT125FLA3 <sup>2)</sup> | 1SCA114832R1001 | 0.43           |
| 3               | 125                               |                            | 125/90   | OT125FLB3 <sup>3)</sup> | 1SCA114833R1001 | 0.43           |

<sup>1)</sup> Extended terminals on both sides of the switch

<sup>2)</sup> Extended terminals on top side only

<sup>3)</sup> Extended terminals on bottom side only

### Front operated switch-disconnectors, installation switch, base and DIN-rail mounting, IEC

Including a black knob handle and protected terminal clamps IP20. For standard 45 mm opening. OT16...125M: padlockable in OFF-position with one padlock (bail dia 5 mm). For switches OT16M...40M, 45 mm adapter handles are available.

| Number of poles / modules | Open air thermal current $I_{th}$ | Copper cable cross section | Rated operat. currents AC22A/AC23A 400...415 V | Type    | Order code      | Weight/unit kg |
|---------------------------|-----------------------------------|----------------------------|--|---------|-----------------|----------------|
|                           | A                                 | mm <sup>2</sup>            | A/A  |         |                 |                |
| 3/2                       | 16                                | 0.75...10                  | 16/16  | OT16M3  | 1SCA022497R0220 | 0.11           |
| 4/3                       | 16                                | 0.75...10                  | 16/16  | OT16M4  | 1SCA022497R0730 | 0.14           |
| 3/2                       | 25                                | 0.75...10                  | 25/20  | OT25M3  | 1SCA022497R0310 | 0.11           |
| 4/3                       | 25                                | 0.75...10                  | 25/20  | OT25M4  | 1SCA022497R0650 | 0.14           |
| 3/2                       | 40                                | 0.75...10                  | 40/23  | OT40M3  | 1SCA022497R0490 | 0.11           |
| 4/3                       | 40                                | 0.75...10                  | 40/23  | OT40M4  | 1SCA022497R0570 | 0.14           |
| 3/3                       | 80                                | 1.5...35                   | 80/75  | OT63ML3 | 1SCA022530R5770 | 0.27           |
| 4/4                       | 80                                | 1.5...35                   | 80/75  | OT63ML4 | 1SCA022530R6400 | 0.30           |
| 3/4                       | 125                               | 10...70                    | 125/90   | OT125M3 | 1SCA022429R9140 | 0.4            |
| 4/6                       | 125                               | 10...70                    | 125/90   | OT125M4 | 1SCA022429R9220 | 0.5            |

## Manual switch-disconnectors OT16...160, IEC

### Ordering information



OT16...40F6



OT63...80F8



OT100...125F8



OT16...40FT3



OT63...80FT3



OT100...125FT3

### Front operated 6- and 8-pole switch-disconnectors, base and DIN-rail mounting, IEC

Including protected terminal clamps, IP20. Handle and shaft are not included.

| Number of poles | Open air thermal current $I_{th}$ | Copper cable cross section<br>mm <sup>2</sup> | Rated operat. currents<br>AC22A/AC23A<br>400...415 V | Type    | Order code      | Weight/<br>unit<br>kg |
|-----------------|-----------------------------------|---|--|---------|-----------------|-----------------------|
|                 | A                                 |   | A/A  |         |                 |                       |
| 6               | 25                                | 0.75...10                                     | 16/16  | OT16F6  | 1SCA104834R1001 | 0.25                  |
| 6               | 32                                | 0.75...10                                     | 25/20  | OT25F6  | 1SCA104880R1001 | 0.25                  |
| 6               | 40                                | 0.75...10                                     | 40/23  | OT40F6  | 1SCA104936R1001 | 0.25                  |
| 6               | 63                                | 1.5...35                                      | 63/63  | OT63F6  | 1SCA105379R1001 | 0.61                  |
| 6               | 80                                | 1.5...35                                      | 80/75  | OT80F6  | 1SCA105427R1001 | 0.61                  |
| 6               | 115                               | 10...70                                       | 100/80   | OT100F6 | 1SCA105021R1001 | 0.81                  |
| 6               | 125                               | 10...70                                       | 125/90   | OT125F6 | 1SCA105057R1001 | 0.81                  |
| 8               | 25                                | 0.75...10                                     | 16/16  | OT16F8  | 1SCA104836R1001 | 0.31                  |
| 8               | 32                                | 0.75...10                                     | 25/20  | OT25F8  | 1SCA104882R1001 | 0.31                  |
| 8               | 40                                | 0.75...10                                     | 40/23  | OT40F8  | 1SCA104938R1001 | 0.31                  |
| 8               | 63                                | 1.5...35                                      | 63/63  | OT63F8  | 1SCA105381R1001 | 0.67                  |
| 8               | 80                                | 1.5...35                                      | 80/75  | OT80F8  | 1SCA105429R1001 | 0.67                  |
| 8               | 115                               | 10...70                                       | 100/80   | OT100F8 | 1SCA105022R1001 | 1.10                  |
| 8               | 125                               | 10...70                                       | 125/90   | OT125F8 | 1SCA105059R1001 | 1.10                  |

### Front operated switch-disconnectors, door mounting, IEC

Including protected terminal clamps, IP20. Handle and shaft are not included.

| Number of poles | Open air thermal current $I_{th}$ | Copper cable cross section<br>mm <sup>2</sup> | Rated operat. currents<br>AC22A/AC23A<br>400...415 V | Type       | Order code      | Weight/<br>unit<br>kg |
|-----------------|-----------------------------------|---|--|------------|-----------------|-----------------------|
|                 | A                                 |   | A/A  |            |                 |                       |
| 3               | 25                                | 0.75...10                                     | 16/16  | OT16FT3    | 1SCA104838R1001 | 0.13                  |
| 4               | 25                                | 0.75...10                                     | 16/16  | OT16FT4N2  | 1SCA105711R1001 | 0.16                  |
| 3               | 32                                | 0.75...10                                     | 25/20  | OT25FT3    | 1SCA104884R1001 | 0.13                  |
| 4               | 32                                | 0.75...10                                     | 25/20  | OT25FT4N2  | 1SCA104900R1001 | 0.16                  |
| 3               | 40                                | 0.75...10                                     | 40/23  | OT40FT3    | 1SCA104940R1001 | 0.13                  |
| 4               | 40                                | 0.75...10                                     | 40/23  | OT40FT4N2  | 1SCA104956R1001 | 0.16                  |
| 3               | 63                                | 1.5...35                                      | 63/63  | OT63FT3    | 1SCA105382R1001 | 0.28                  |
| 4               | 63                                | 1.5...35                                      | 63/63  | OT63FT4N2  | 1SCA105393R1001 | 0.35                  |
| 3               | 80                                | 1.5...35                                      | 80/75  | OT80FT3    | 1SCA105431R1001 | 0.28                  |
| 4               | 80                                | 1.5...35                                      | 80/75  | OT80FT4N2  | 1SCA105499R1001 | 0.35                  |
| 3               | 115                               | 10...70                                       | 100/80   | OT100FT3   | 1SCA105023R1001 | 0.40                  |
| 4               | 115                               | 10...70                                       | 100/80   | OT100FT4N2 | 1SCA105031R1001 | 0.54                  |
| 3               | 125                               | 10...70                                       | 125/90   | OT125FT3   | 1SCA105060R1001 | 0.40                  |
| 4               | 125                               | 10...70                                       | 125/90   | OT125FT4N2 | 1SCA105066R1001 | 0.54                  |

## Manual switch-disconnectors OT16...160, UL

Ordering information for non-fusible disconnect switches



OT16...40F3



OT63...80F3



OT30...100F3

### Front operated non-fusible disconnect switches, base and DIN-rail mounting, UL/CSA

Handle and shaft are not included.

| Number of poles | Ampere rating<br>A | Horsepower rating<br>3-phase |                |                | Type      | Order code      | Weight/<br>unit |      |
|-----------------|--------------------|------------------------------|----------------|----------------|-----------|-----------------|-----------------|------|
|                 |                    | 240 V AC<br>HP               | 480 V AC<br>HP | 600 V AC<br>HP |           |                 | kg              | lb   |
| 3               | 20                 | 5                            | 10             | 10             | OT16F3    | 1SCA104811R1001 | 0.11            | 0.24 |
| 4               | 20                 | 5                            | 10             | 10             | OT16F4N2  | 1SCA104829R1001 | 0.14            | 0.31 |
| 3               | 30                 | 7.5                          | 15             | 20             | OT25F3    | 1SCA104857R1001 | 0.11            | 0.24 |
| 4               | 30                 | 7.5                          | 15             | 20             | OT25F4N2  | 1SCA104886R1001 | 0.14            | 0.31 |
| 3               | 40                 | 10                           | 20             | 25             | OT40F3    | 1SCA104902R1001 | 0.11            | 0.24 |
| 4               | 40                 | 10                           | 20             | 25             | OT40F4N2  | 1SCA104932R1001 | 0.14            | 0.31 |
| 3               | 60                 | 15                           | 30             | 30             | OT63F3    | 1SCA105332R1001 | 0.27            | 0.60 |
| 4               | 60                 | 15                           | 30             | 30             | OT63F4N2  | 1SCA105365R1001 | 0.3             | 0.66 |
| 3               | 80                 | 20                           | 40             | 40             | OT80F3    | 1SCA105798R1001 | 0.27            | 0.60 |
| 4               | 80                 | 20                           | 40             | 40             | OT80F4N2  | 1SCA105413R1001 | 0.3             | 0.66 |
| 3               | 30                 | 10                           | 20             | 30             | OT30F3    | 1SCA105068R1001 | 0.36            | 0.79 |
| 4               | 30                 | 10                           | 20             | 30             | OT30F4N2  | 1SCA108347R1001 | 0.5             | 1.10 |
| 3               | 60                 | 20                           | 40             | 40             | OT60F3    | 1SCA105076R1001 | 0.36            | 0.79 |
| 4               | 60                 | 20                           | 40             | 40             | OT60F4N2  | 1SCA108348R1001 | 0.5             | 1.10 |
| 3               | 100                | 30                           | 50             | 50             | OT100F3   | 1SCA105004R1001 | 0.36            | 0.79 |
| 4               | 100                | 30                           | 50             | 50             | OT100F4N2 | 1SCA105018R1001 | 0.5             | 1.10 |

Approvals:

- OT16,25,40,63,80: UL 508. CSA 22-2 No.14
- OT30,60,100: UL 98. CSA 22-2 No.4
- IEC 60947-3



OT16...40F6



OT63...80F8



OT100F8

### Front operated 6- and 8-pole non-fusible disconnect switches, base and DIN-rail mounting, UL/CSA

Handle and shaft are not included.

| Number of poles | Ampere rating<br>A | Horsepower rating<br>3-phase |                |                | Type    | Order code      | Weight/<br>unit |      |
|-----------------|--------------------|------------------------------|----------------|----------------|---------|-----------------|-----------------|------|
|                 |                    | 240 V AC<br>HP               | 480 V AC<br>HP | 600 V AC<br>HP |         |                 | kg              | lb   |
| 6               | 20                 | 5                            | 10             | 10             | OT16F6  | 1SCA104834R1001 | 0.25            | 0.55 |
| 6               | 30                 | 7.5                          | 15             | 20             | OT25F6  | 1SCA104880R1001 | 0.25            | 0.55 |
| 6               | 40                 | 10                           | 20             | 25             | OT40F6  | 1SCA104936R1001 | 0.25            | 0.55 |
| 6               | 60                 | 15                           | 30             | 30             | OT63F6  | 1SCA105379R1001 | 0.61            | 1.35 |
| 6               | 80                 | 20                           | 40             | 40             | OT80F6  | 1SCA105427R1001 | 0.61            | 1.35 |
| 6               | 100                | 30                           | 50             | 50             | OT100F6 | 1SCA105021R1001 | 0.81            | 1.79 |
| 6               | 100                | 30                           | 50             | 50             | OT125F6 | 1SCA105057R1001 | 0.81            | 1.79 |
| 8               | 20                 | 5                            | 10             | 10             | OT16F8  | 1SCA104836R1001 | 0.31            | 0.68 |
| 8               | 30                 | 7.5                          | 15             | 20             | OT25F8  | 1SCA104882R1001 | 0.31            | 0.68 |
| 8               | 40                 | 10                           | 20             | 25             | OT40F8  | 1SCA104938R1001 | 0.31            | 0.68 |
| 8               | 60                 | 15                           | 30             | 30             | OT63F8  | 1SCA105381R1001 | 0.67            | 1.48 |
| 8               | 80                 | 20                           | 40             | 40             | OT80F8  | 1SCA105429R1001 | 0.67            | 1.48 |
| 8               | 100                | 30                           | 50             | 50             | OT100F8 | 1SCA105022R1001 | 1.10            | 2.43 |

## Manual switch-disconnectors OT16...160, UL

Ordering information for non-fusible disconnect switches



OT16...40FT3



OT63...80FT3



OT30...100FT3



OT30...100FT4N2

### Front operated non-fusible disconnect switches, door mounting, UL/CSA

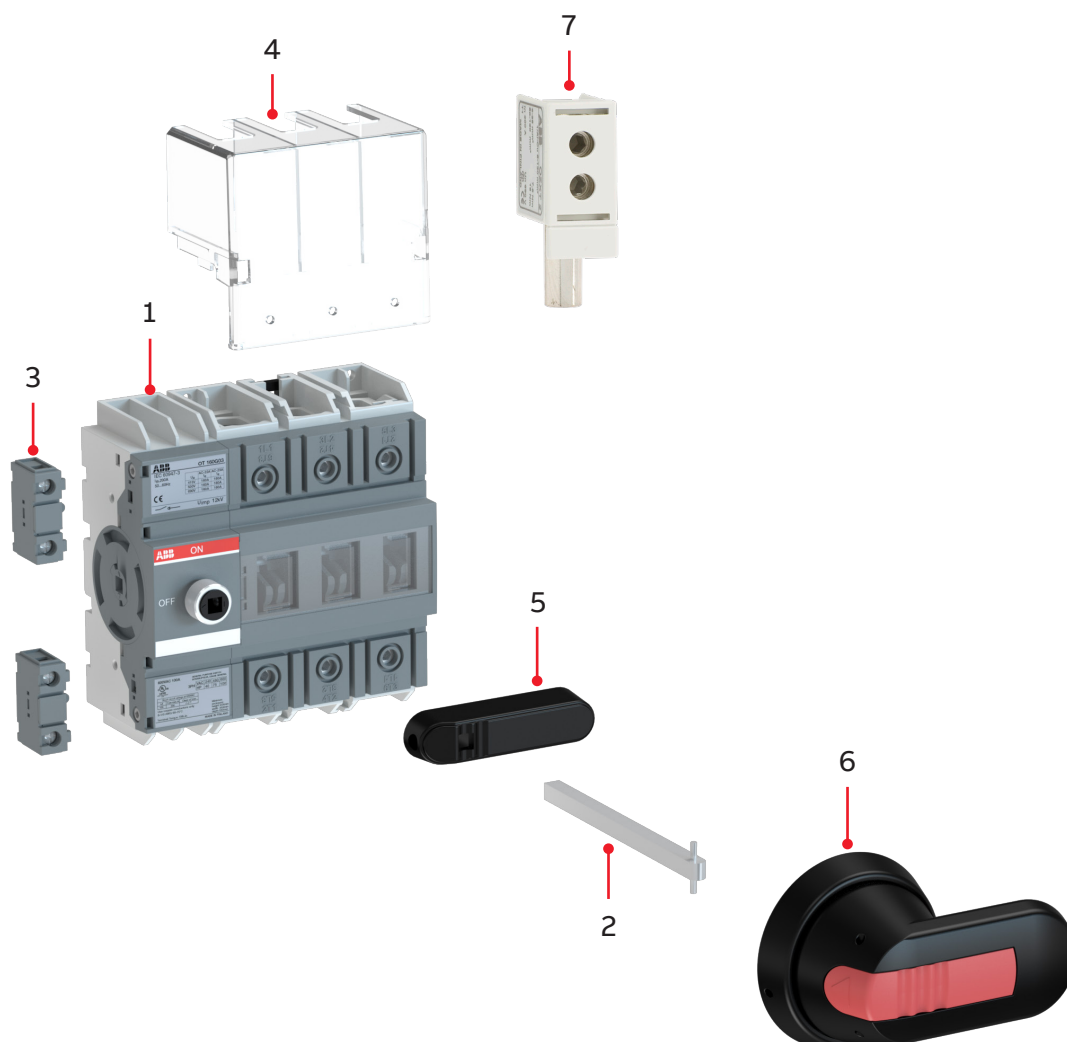
Handle and shaft not included.

| Number of poles | Ampere rating | Horsepower rating 3-phase |          |          | Type       | Order code      | Weight/unit |      |
|-----------------|---------------|---------------------------|----------|----------|------------|-----------------|-------------|------|
|                 |               | 240 V AC                  | 480 V AC | 600 V AC |            |                 | kg          | lb   |
| 3               | 20            | 5                         | 10       | 10       | OT16FT3    | 1SCA104838R1001 | 0.13        | 0.29 |
| 4               | 20            | 5                         | 10       | 10       | OT16FT4N2  | 1SCA105711R1001 | 0.16        | 0.35 |
| 3               | 30            | 7.5                       | 15       | 20       | OT25FT3    | 1SCA104884R1001 | 0.13        | 0.29 |
| 4               | 30            | 7.5                       | 15       | 20       | OT25FT4N2  | 1SCA104900R1001 | 0.16        | 0.35 |
| 3               | 40            | 10                        | 20       | 25       | OT40FT3    | 1SCA104940R1001 | 0.13        | 0.29 |
| 4               | 40            | 10                        | 20       | 25       | OT40FT4N2  | 1SCA104956R1001 | 0.16        | 0.35 |
| 3               | 60            | 15                        | 30       | 30       | OT63FT3    | 1SCA105382R1001 | 0.28        | 0.62 |
| 4               | 60            | 15                        | 30       | 30       | OT63FT4N2  | 1SCA105393R1001 | 0.35        | 0.77 |
| 3               | 80            | 20                        | 40       | 40       | OT80FT3    | 1SCA105431R1001 | 0.28        | 0.62 |
| 4               | 80            | 20                        | 40       | 40       | OT80FT4N2  | 1SCA105499R1001 | 0.35        | 0.77 |
| 3               | 30            | 10                        | 20       | 30       | OT30FT3    | 1SCA105074R1001 | 0.44        | 0.97 |
| 4               | 30            | 10                        | 20       | 30       | OT30FT4N2  | 1SCA109443R1001 | 0.56        | 1.23 |
| 3               | 60            | 20                        | 40       | 40       | OT60FT3    | 1SCA105081R1001 | 0.44        | 0.97 |
| 4               | 60            | 20                        | 40       | 40       | OT60FT4N2  | 1SCA109444R1001 | 0.56        | 1.23 |
| 3               | 100           | 30                        | 50       | 50       | OT100FT3   | 1SCA105023R1001 | 0.44        | 0.97 |
| 4               | 100           | 30                        | 50       | 50       | OT100FT4N2 | 1SCA105031R1001 | 0.56        | 1.23 |

Approvals:  
 - OT16,25,40,63,80: UL 508. CSA 22-2 No.14  
 - OT30,60,100: UL 98. CSA 22-2 No.4  
 - IEC 60947-3

## Manual switch-disconnectors OT16...160

### Ordering information



### Accessory guide for OT160G (base and DIN-rail mounted switch-disconnectors)

- |                        |                   |
|------------------------|-------------------|
| 1. Switch-disconnector | 5. Handle knob    |
| 2. Extended shaft      | 6. Pistol handle  |
| 3. Auxiliary contact   | 7. Terminal clamp |
| 4. Terminal shroud     |                   |

Please note that listed accessories are not automatically included in your order.

## Manual switch-disconnectors OT16...160, IEC/UL

### Ordering information



OT160G03K



OT160G03KL



OT160G04P



OT160GT03P



OT160GT04

### OT160G switch-disconnectors, base and DIN-rail mounting, IEC Non-fusible disconnect switches, base and DIN-rail mounting, UL/CSA

The types with K at the end include direct mount non-lockable handle YAST1. The type with KL includes an lockable direct type handle OHBS16. The base mounted types with P at the end include external handle OHB65J6 and shaft OXP6X210. Front and side operation is possible with the same handle and shaft.

| Number of poles | Rated operational currents |                         |                    | Type code  | Order code      | Weight/unit |      |
|-----------------|----------------------------|-------------------------|--------------------|------------|-----------------|-------------|------|
|                 | UL98 Listed, 600 V         | UL 98 Recognized, 600 V | AC22A/AC23A, 690 V |            |                 | kg          | lb   |
|                 | A                          | A                       | A                  |            |                 |             |      |
| 3               | 100                        | 125                     | 160/160            | OT160G03   | 1SCA135134R1001 | 1.1         | 2.43 |
| 3               | 100                        | 125                     | 160/160            | OT160G03K  | 1SCA138208R1001 | 1.2         | 2.65 |
| 3               | 100                        | 125                     | 160/160            | OT160G03KL | 1SCA150028R1001 | 1.1         | 2.43 |
| 3               | 100                        | 125                     | 160/160            | OT160G03P  | 1SCA135139R1001 | 1.3         | 2.87 |
| 4               | 100                        | 125                     | 160/160            | OT160G04   | 1SCA135135R1001 | 1.3         | 2.87 |
| 4               | 100                        | 125                     | 160/160            | OT160G04K  | 1SCA138215R1001 | 1.4         | 3.09 |
| 4               | 100                        | 125                     | 160/160            | OT160G04KL | 1SCA150184R1001 | 1.3         | 2.65 |
| 4               | 100                        | 125                     | 160/160            | OT160G04P  | 1SCA135140R1001 | 1.4         | 3.09 |
| 3               | 100                        | 125                     | 160/160            | OT160G30   | 1SCA138207R1001 | 1.1         | 2.43 |
| 3               | 100                        | 125                     | 160/160            | OT160G30K  | 1SCA138209R1001 | 1.2         | 2.65 |
| 3               | 100                        | 125                     | 160/160            | OT160G30KL | 1SCA150185R1001 | 1.1         | 2.43 |
| 3               | 100                        | 125                     | 160/160            | OT160G30P  | 1SCA135138R1001 | 1.2         | 2.65 |
| 4               | 100                        | 125                     | 160/160            | OT160G40   | 1SCA138213R1001 | 1.3         | 2.87 |
| 4               | 100                        | 125                     | 160/160            | OT160G40K  | 1SCA138214R1001 | 1.4         | 3.09 |
| 4               | 100                        | 125                     | 160/160            | OT160G40KL | 1SCA150186R1001 | 1.3         | 2.65 |
| 4               | 100                        | 125                     | 160/160            | OT160G40P  | 1SCA138216R1001 | 1.4         | 3.09 |

Approvals:  
- UL98, CSA 22-2 No.4  
- IEC 60947-3

### OT160G switch-disconnectors, door mounting, IEC Non-fusible disconnect switches, door mounting, UL/CSA

The door mounted types with P at the end include external handle OHB65J6, shaft OXP6X50 and mounting kit OHZX6. Front and side operation is possible with the same handle and shaft.

| Number of poles              | Rated operational currents |                         |                    | Type code  | Order code      | Weight/unit |      |
|------------------------------|----------------------------|-------------------------|--------------------|------------|-----------------|-------------|------|
|                              | UL98 Listed, 600 V         | UL 98 Recognized, 600 V | AC22A/AC23A, 690 V |            |                 | kg          | lb   |
|                              | A                          | A                       | A                  |            |                 |             |      |
| <b>Door mounted versions</b> |                            |                         |                    |            |                 |             |      |
| 3                            | 100                        | 125                     | 160/160            | OT160GT03  | 1SCA135136R1001 | 1.2         | 2.65 |
| 3                            | 100                        | 125                     | 160/160            | OT160GT03P | 1SCA135141R1001 | 1.2         | 2.65 |
| 4                            | 100                        | 125                     | 160/160            | OT160GT04  | 1SCA135137R1001 | 1.3         | 2.87 |
| 4                            | 100                        | 125                     | 160/160            | OT160GT04P | 1SCA135142R1001 | 1.3         | 2.87 |
| 3                            | 100                        | 125                     | 160/160            | OT160GT30  | 1SCA138220R1001 | 1.2         | 2.65 |
| 3                            | 100                        | 125                     | 160/160            | OT160GT30P | 1SCA135143R1001 | 1.2         | 2.65 |
| 4                            | 100                        | 125                     | 160/160            | OT160GT40  | 1SCA138221R1001 | 1.3         | 2.87 |
| 4                            | 100                        | 125                     | 160/160            | OT160GT40P | 1SCA135144R1001 | 1.3         | 2.87 |

Approvals:  
- UL98, CSA 22-2 No.4  
- IEC 60947-3

# Manual switch-disconnectors OT16...160

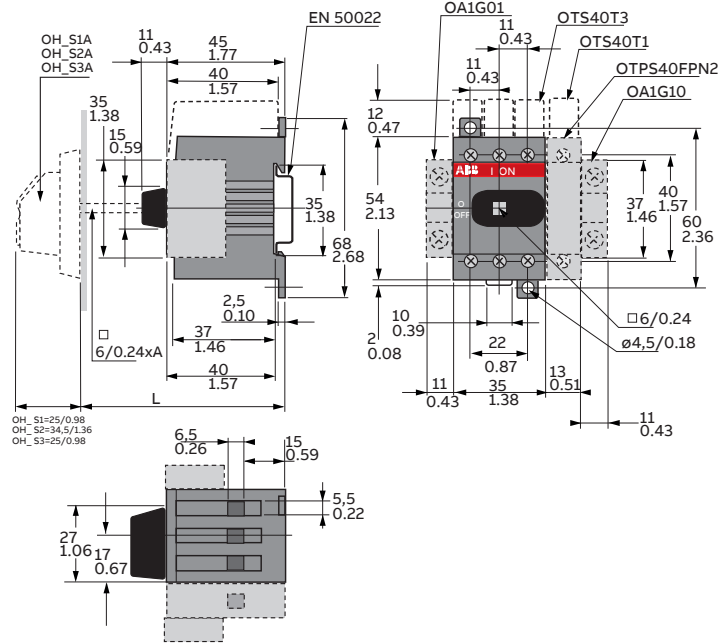
## Dimensional drawings

### Front operated switch-disconnectors, base and DIN-rail mounting, IEC and UL/CSA

#### OT16...40F3, \_F4

| Shafts OXS | Handle OH_S1        | Handle OH_S2        |
|------------|---------------------|---------------------|
| A          | L min-max           | L min-max           |
| mm/in      | mm/in               | mm/in               |
| 85/3.35    | 107-126/4.22-4.96   | 93-110/3.66-4.33    |
| 105/4.14   | 127-146/5-5.75      | 113-130/4.45-5.12   |
| 120/4.73   | 142-161/5.59-6.34   | 128-145/5.04/5.71   |
| 130/5.13   | 152-171/5.99-6.74   | 138-155/5.44-6.11   |
| 160/6.3    | 182-201/7.17-7.92   | 168-185/6.62-7.29   |
| 180/7.09   | 202-221/7.96-8.71   | 188-205/7.4-8.08    |
| 250/9.85   | 272-291/10.71-11.46 | 258-275/10.16-10.83 |
| 330/13     | 352-371/13.87-14.62 | 338-355/13.32-13.99 |

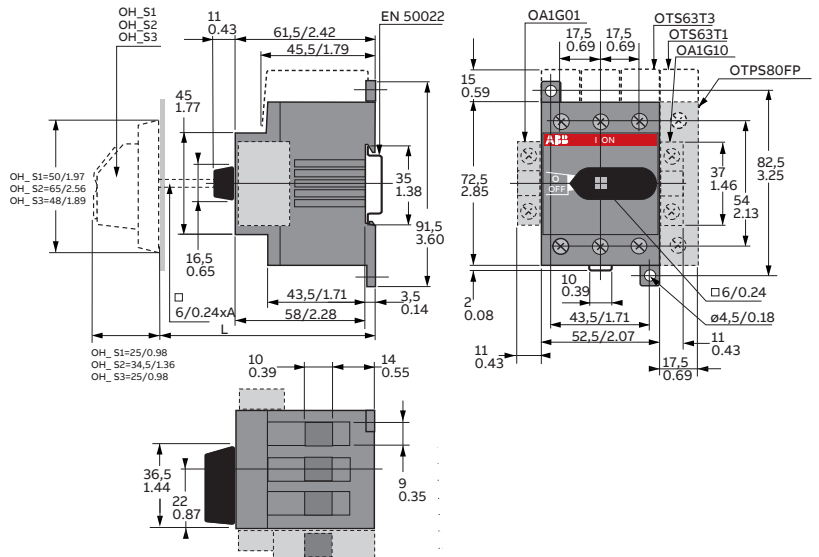
| Shafts OX | Handle OZ331_P      |
|-----------|---------------------|
| A         | L min-max           |
| mm/in     | mm/in               |
| 60/2.36   | 92-120/3.62-4.73    |
| 85/3.35   | 117-145/4.61-5.71   |
| 105/4.14  | 137-165/5.4/6.5     |
| 115/4.53  | 147-175/5.79-6.89   |
| 130/5.12  | 162-190/6.38-7.48   |
| 155/6.11  | 187-215/7.37-8.47   |
| 200/7.88  | 232-260/9.14-10.24  |
| 300/11.82 | 332-360/13.08-14.18 |



#### OT63...80F3, \_F4

| Shafts OXS | Handle OH_S1            | Handle OH_S2            |
|------------|-------------------------|-------------------------|
| A          | L min-max               | L min-max               |
| mm/in      | mm/in                   | mm/in                   |
| 85/3.35    | 123.5-142.5/4.87-5.61   | 109.5-126.5/4.31-4.98   |
| 105/4.14   | 143.5-162.5/5.65-6.4    | 129.5-146.5/5.1-5.77    |
| 120/4.73   | 158.5-177.5/6.24-6.99   | 144.5-161.5/5.69-6.36   |
| 130/5.13   | 168.5-187.5/6.64-7.38   | 154.5-171.5/6.09-6.75   |
| 160/6.3    | 198.5-217.5/7.82-8.57   | 184.5-201.5/7.27-7.94   |
| 180/7.09   | 218.5-237.5/8.61-9.36   | 204.5-221.5/8.06-8.73   |
| 250/9.85   | 288.5-307.5/11.36-12.12 | 274.5-291.5/10.81-11.48 |
| 330/13     | 368.5-398.5/14.52-15.7  | 354.5-371.5/13.97-14.63 |

| Shafts OX | Handle OZ331_P          |
|-----------|-------------------------|
| A         | L min-max               |
| mm/in     | mm/in                   |
| 60/2.36   | 108.5-136.5/4.27-5.38   |
| 85/3.35   | 133.5-161.5/5.26-6.36   |
| 105/4.14  | 153.5-181.5/6.05-7.15   |
| 115/4.53  | 163.5-191.5/6.44-7.54   |
| 130/5.12  | 178.5-206.5/7.03-8.14   |
| 155/6.11  | 203.5-231.5/8.02-9.12   |
| 200/7.88  | 248.5-276.5/9.79-10.89  |
| 300/11.82 | 348.5-376.5/13.73-14.83 |



| Shafts OXP | Handle OHB45J6 |              |
|------------|----------------|--------------|
| A          | L min-max      |              |
| mm/in      | mm/in          |              |
| 150/5.91   | 177.5/69.88    | 196.5/77.36  |
| 170/6.70   | 197.5/77.76    | 216.5/85.24  |
| 265/10.43  | 292.5/115.16   | 311.5/122.64 |
| 400/15.75  | 427.5/168.31   | 446.5/175.79 |



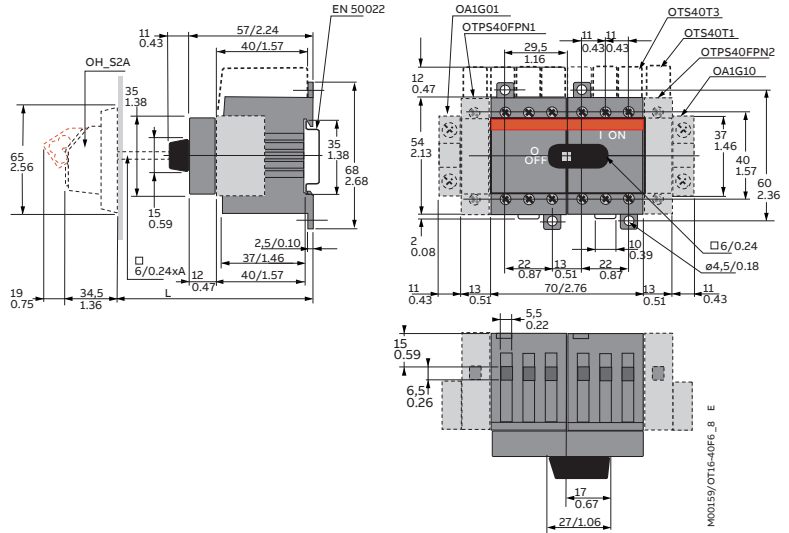
# Manual switch-disconnectors OT16...160

## Dimensional drawings

### Front operated 6- and 8-pole switch-disconnectors, base and DIN-rail mounting, IEC and UL/CSA

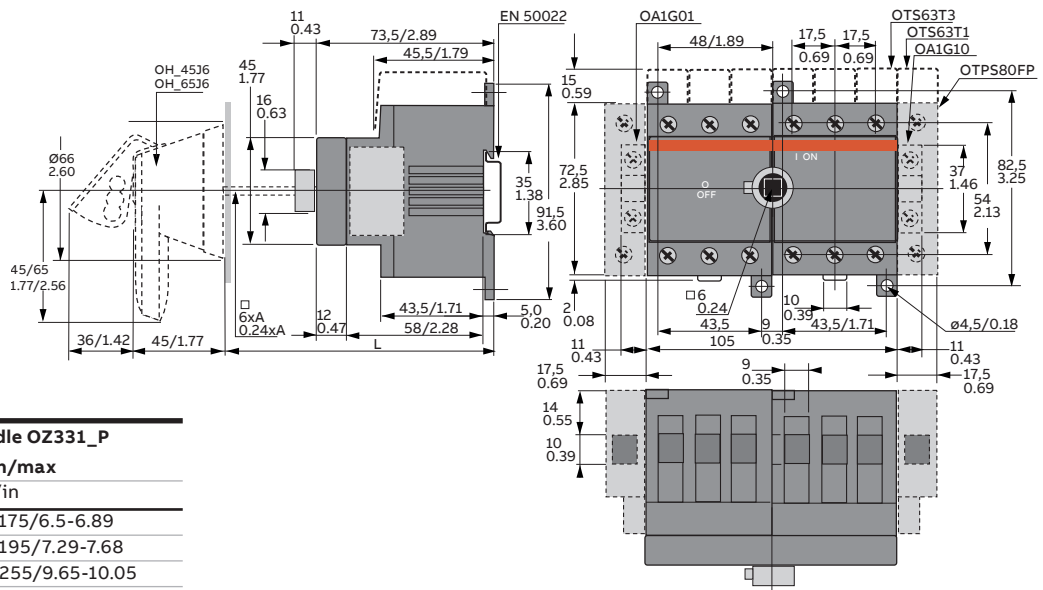
#### OT16...40F6, \_F8

| Shafts OXS | Handle OH_S1         | Handle OH_S2         |
|------------|----------------------|----------------------|
| A          | L min/max            | L min/max            |
| mm/in      | mm/in                | mm/in                |
| 85/3.35    | 110-120/4.33-4.73    | 124-136/4.88-5.36    |
| 105/4.14   | 130-140/ 5.12-5.51   | 144-156/5.67-6.14    |
| 120/4.73   | 145-155/ 5.71-6.11   | 159-171/ 6.26-6.74   |
| 130/5.13   | 155-165/ 6.11-6.5    | 169-181/ 6.66-7.13   |
| 160/6.3    | 185-195/ 7.29-7.69   | 199-211/7.84-8.31    |
| 180/7.09   | 205-215/ 8.08-8.47   | 219-231/8.63-9.1     |
| 250/9.85   | 272-285/ 10.71-11.23 | 289-301/ 11.38-11.86 |
| 330/13     | 355-365/ 13.99-14.38 | 369-381/ 14.54-15.01 |



| Shafts OX | Handle OZ331_P      |
|-----------|---------------------|
| A         | L min/max           |
| mm/in     | mm/in               |
| 60/2.36   | 109-130/4.29-5.12   |
| 85/3.35   | 134-155/5.28-6.11   |
| 105/4.14  | 154-175/6.07-6.89   |
| 115/4.53  | 164-185/6.46-7.29   |
| 130/5.12  | 179-200/7.06-7.88   |
| 155/6.11  | 204-225/8.04-8.86   |
| 200/7.88  | 249-270/3.86-10.64  |
| 300/11.82 | 349-370/13.75-14.58 |

### Front operated 6- and 8-pole switch-disconnectors, base and DIN-rail mounting, IEC and UL/CSA



#### OT63...80F6, \_F8

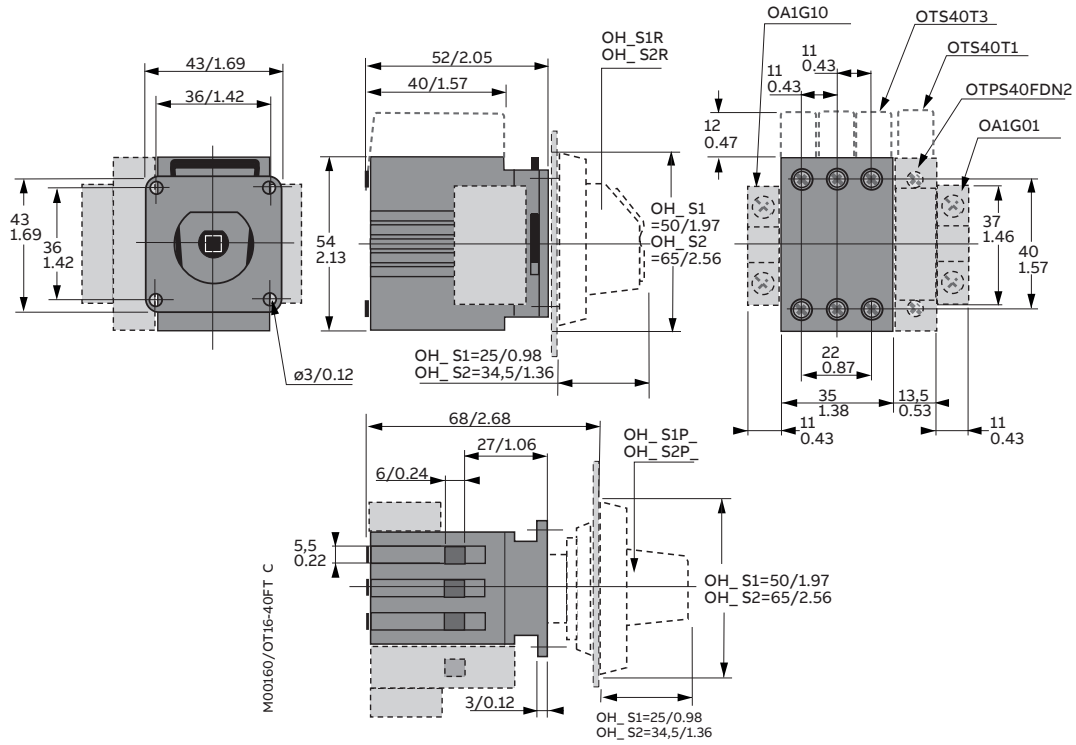
| OH_45J6, OH_65J6 | Handle OZ331_P      |
|------------------|---------------------|
| A                | L min/max           |
| mm/in            | mm/in               |
| 130/5.12         | 165-175/6.5-6.89    |
| 150/5.91         | 185-195/7.29-7.68   |
| 210/8.27         | 245-255/9.65-10.05  |
| 290/11.42        | 325-335/12.8-13.2   |
| 360/14.18        | 395-405/15.56-15.96 |
| 430/16.94        | 465-475/18.32-18.71 |

# Manual switch-disconnectors OT16...160

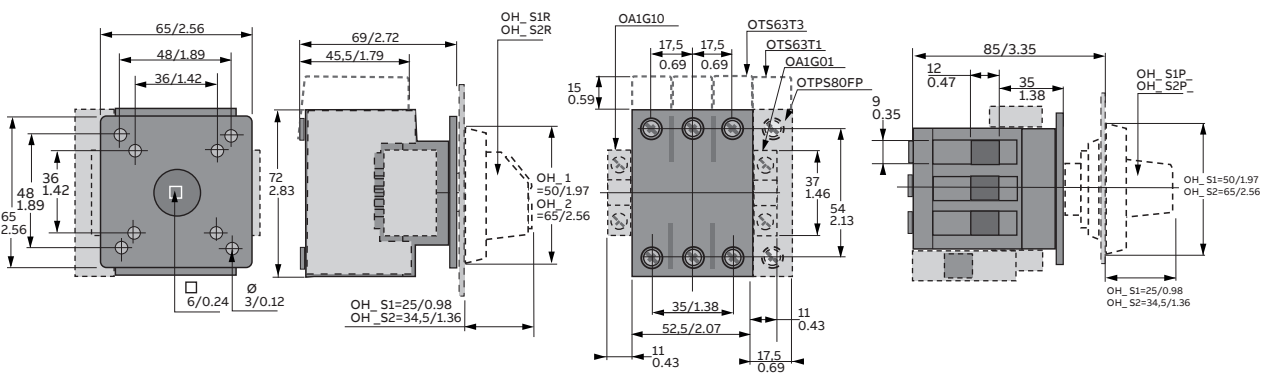
## Dimensional drawings

### Front operated switch-disconnectors, door mounting, IEC

#### OT16...40FT3, \_FT4, door mounting



#### OT63...80FT3, \_FT4, door mounting

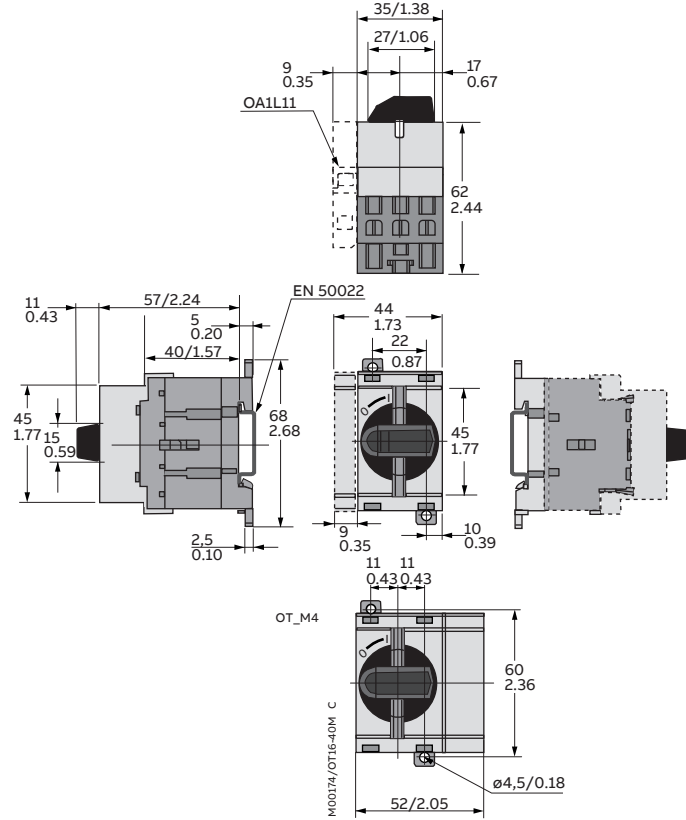


# Manual switch-disconnectors OT16...160

## Dimensional drawings

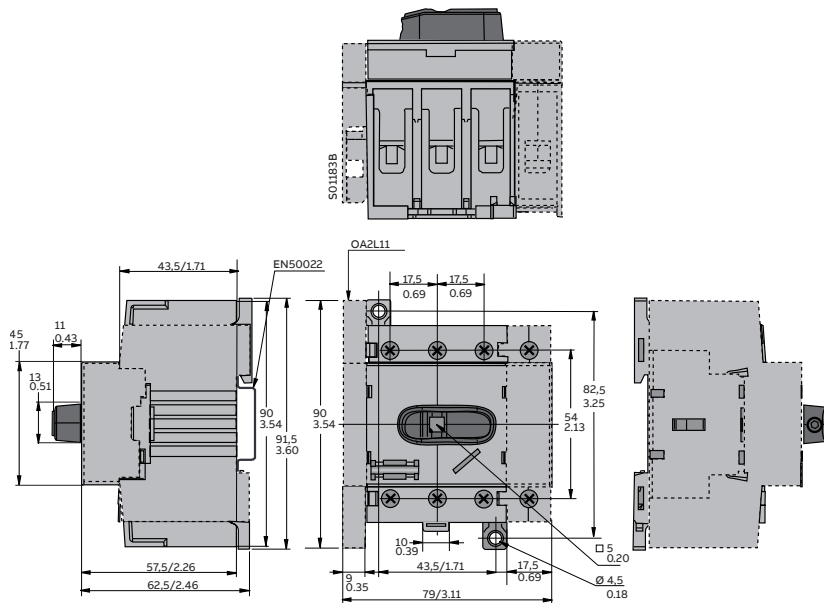
### Front operated switch-disconnectors, installation switches, base and DIN-rail mounting, IEC

#### OT16...40M



### Front operated switch-disconnectors, base and DIN-rail mounting, IEC and UL/CSA

#### OT63ML

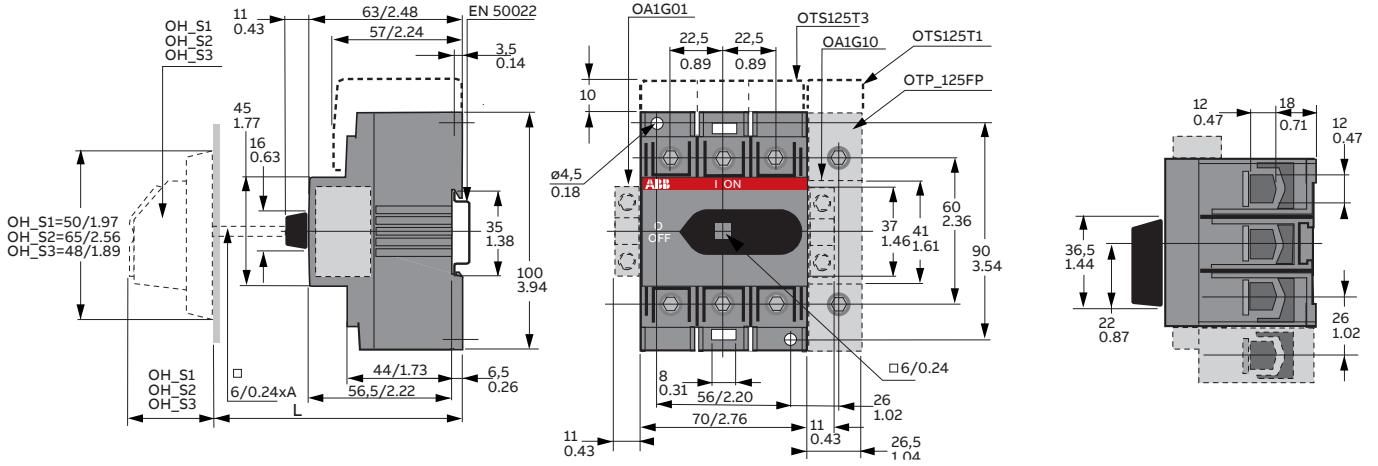


Main dimensions mm, inches

# Manual switch-disconnectors OT16...160

## Dimensional drawings

### OT30, 60, 100, 125F3, \_F4

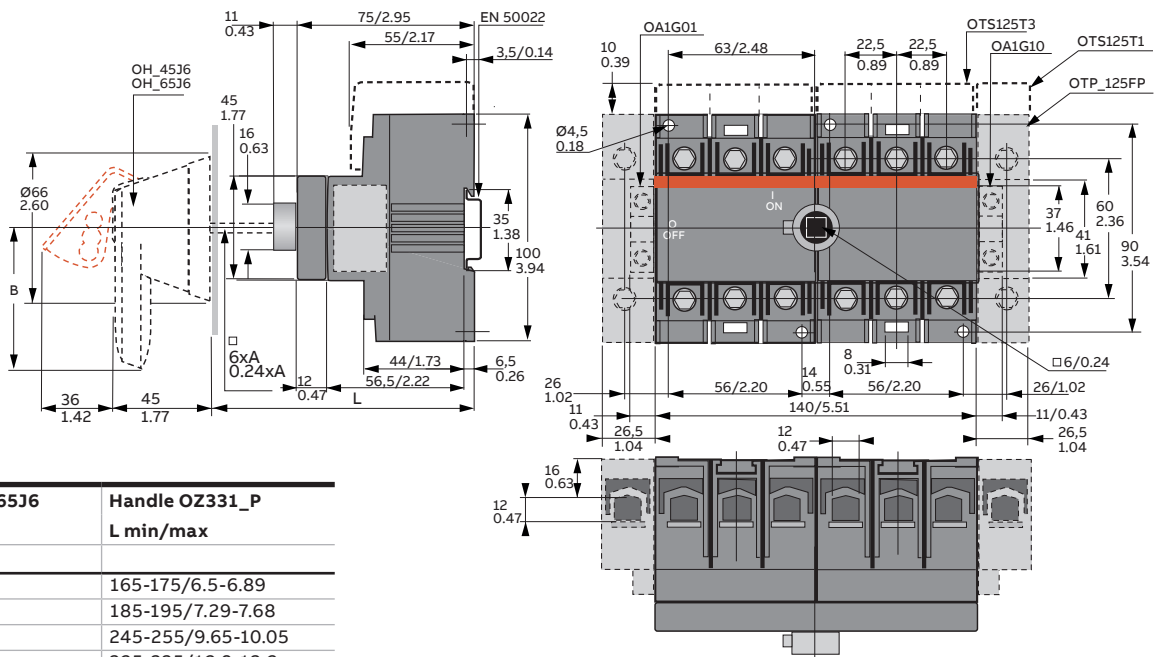


| Shafts OXS | Handle OH_S2        | Handle OH_S1        |
|------------|---------------------|---------------------|
| A          | L min-max           | L min-max           |
| mm/in      |                     |                     |
| 85/3.35    | 127-139/5-5.48      | 113-123/4.45-4.85   |
| 105/4.14   | 147-159/5.79-6.26   | 133-143/5.24-5.63   |
| 120/4.73   | 162-174/6.38-6.85   | 148-158/5.83-6.22   |
| 130/5.13   | 172-184/6.77-7.25   | 158-168/6.22-6.62   |
| 160/6.3    | 202-214/7.96-8.43   | 188-198/7.4-7.8     |
| 180/7.09   | 222-234/8.75-9.22   | 208-218/8.19-8.59   |
| 250/9.85   | 292-304/11.5-11.98  | 278-288/10.95-11.34 |
| 330/13     | 372-384/14.65-15.13 | 358-368/14.1-14.5   |

| Shafts OX | Handle OZ331_P      |
|-----------|---------------------|
| A         | L min-max           |
| mm/in     |                     |
| 60/2.36   | 112-133/4.41-5.24   |
| 85/3.35   | 137-158/5.4-6.22    |
| 105/4.14  | 157-178/6.18-7.01   |
| 115/4.53  | 167-188/6.58-7.4    |
| 130/5.12  | 182-203/7.17-8      |
| 155/6.11  | 207-228/8.16-8.98   |
| 200/7.88  | 252-273/9.93-10.75  |
| 300/11.82 | 352-373/13.87-14.69 |

| Shafts OXP | Handle OHB45J6 |            |
|------------|----------------|------------|
| A          | L min-max      |            |
| mm/in      | mm/in          |            |
| 150/5.91   | 161/63.39      | 180/70.87  |
| 170/6.70   | 181/71.26      | 200/78.74  |
| 265/10.43  | 276/108.66     | 295/116.14 |
| 400/15.75  | 411/161.81     | 430/169.29 |

### OT100...125F6, \_F8



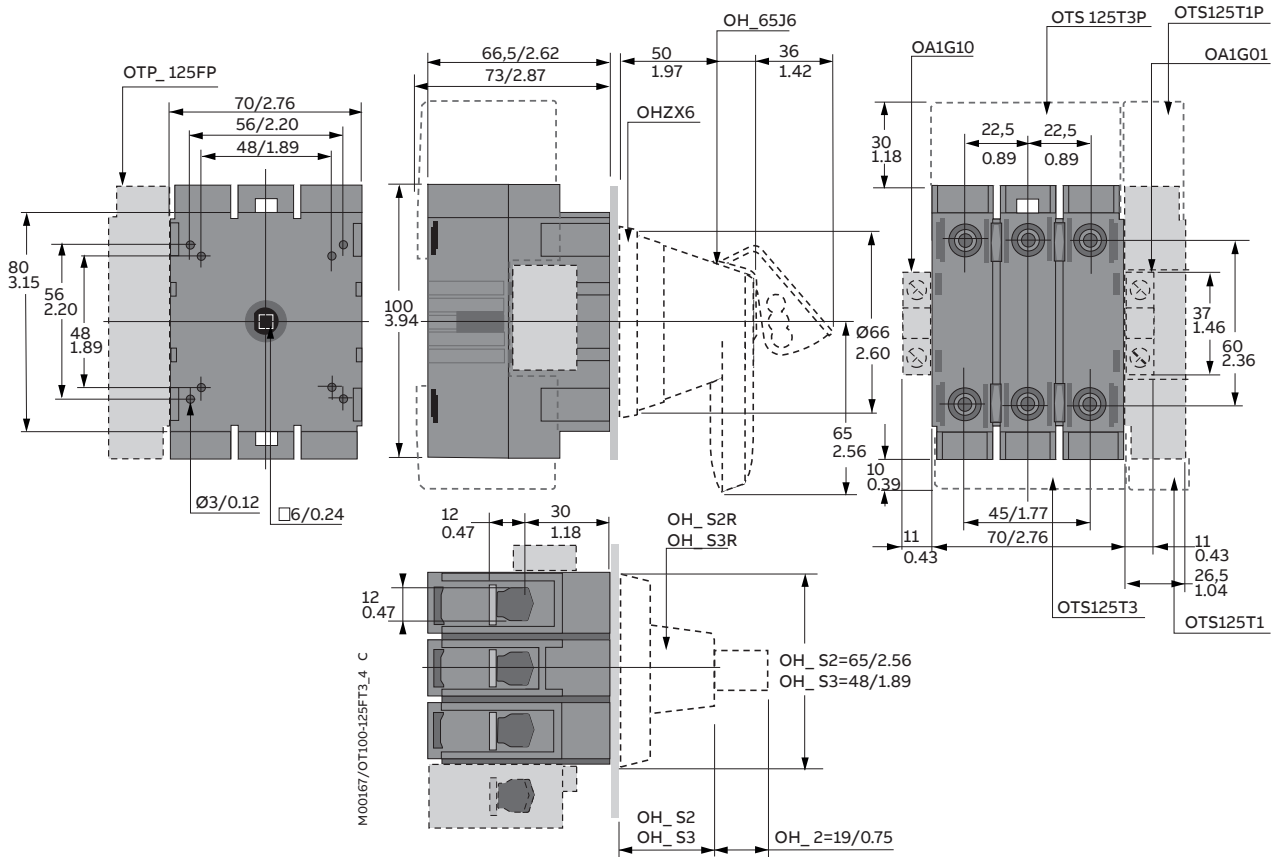
| OH_45J6 OH_65J6 | Handle OZ331_P      |
|-----------------|---------------------|
| A               | L min/max           |
| mm/in           |                     |
| 130/5.12        | 165-175/6.5-6.89    |
| 150/5.91        | 185-195/7.29-7.68   |
| 210/8.27        | 245-255/9.65-10.05  |
| 290/11.42       | 325-335/12.8-13.2   |
| 360/14.18       | 395-405/15.56-15.96 |
| 430/16.94       | 465-475/18.32-18.71 |

# Manual switch-disconnectors OT16...160

## Dimensional drawings

### Front operated switch-disconnectors, door mounting, IEC and UL/CSA

#### OT100...125FT3, \_FT4, door mounting

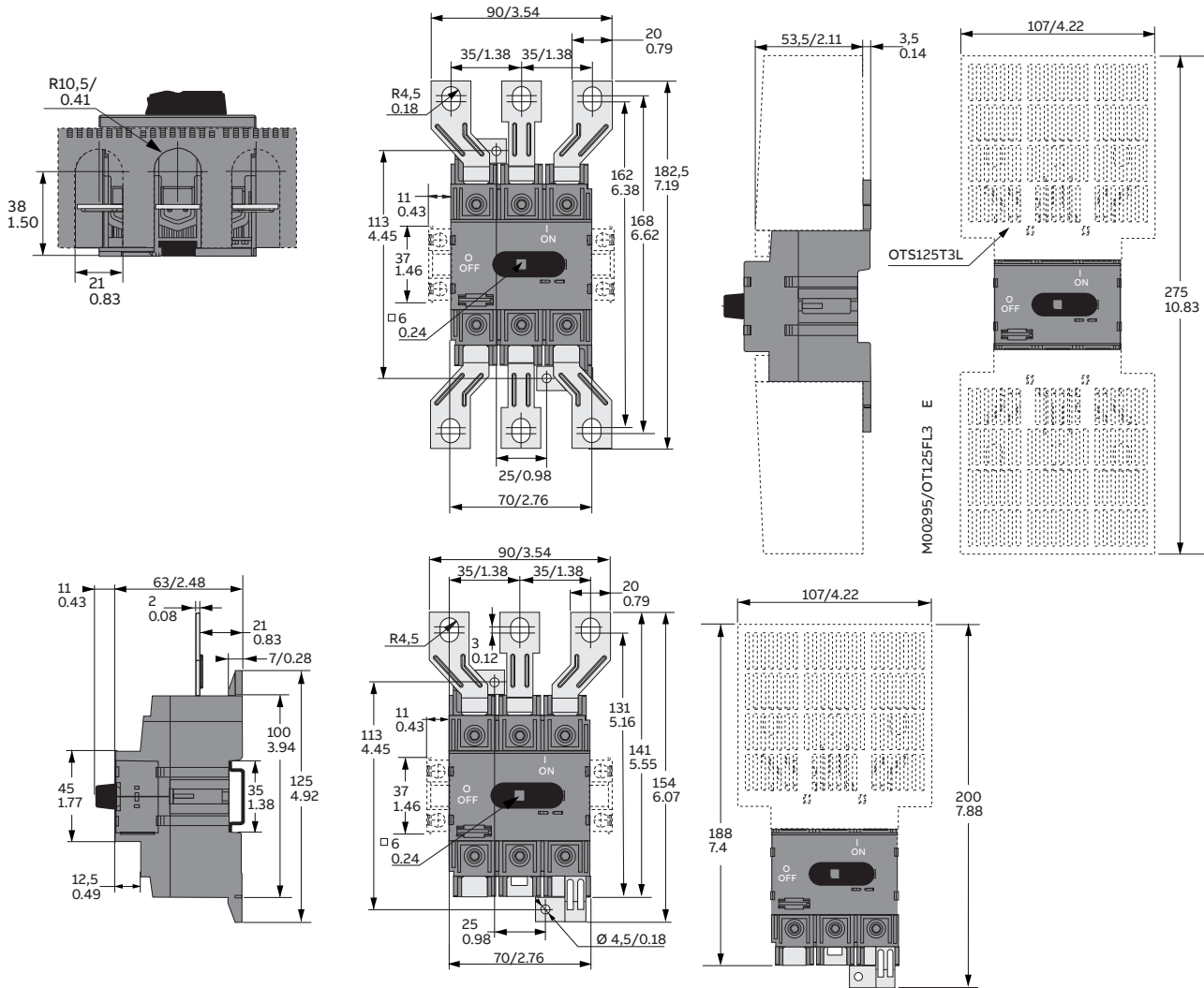


# Manual switch-disconnectors OT16...160

## Dimensional drawings

### Front operated switch-disconnectors, base and DIN-rail mounting, IEC

#### OT125FL3 and OT125FLA3

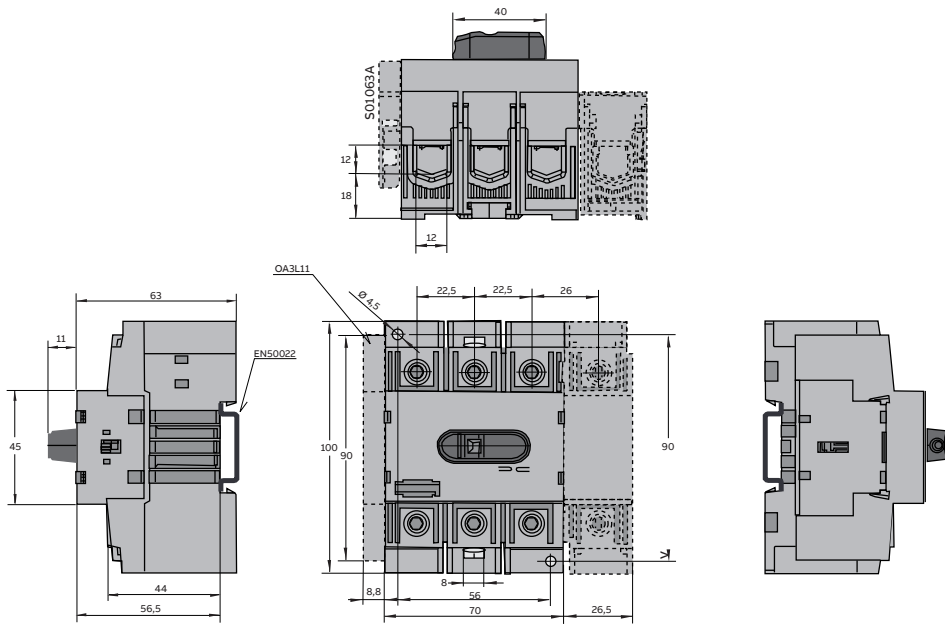


## Manual switch-disconnectors OT16...160

### Dimensional drawings

Front operated switch-disconnectors, installation switches, base and DIN-rail mounting, IEC

OT125M

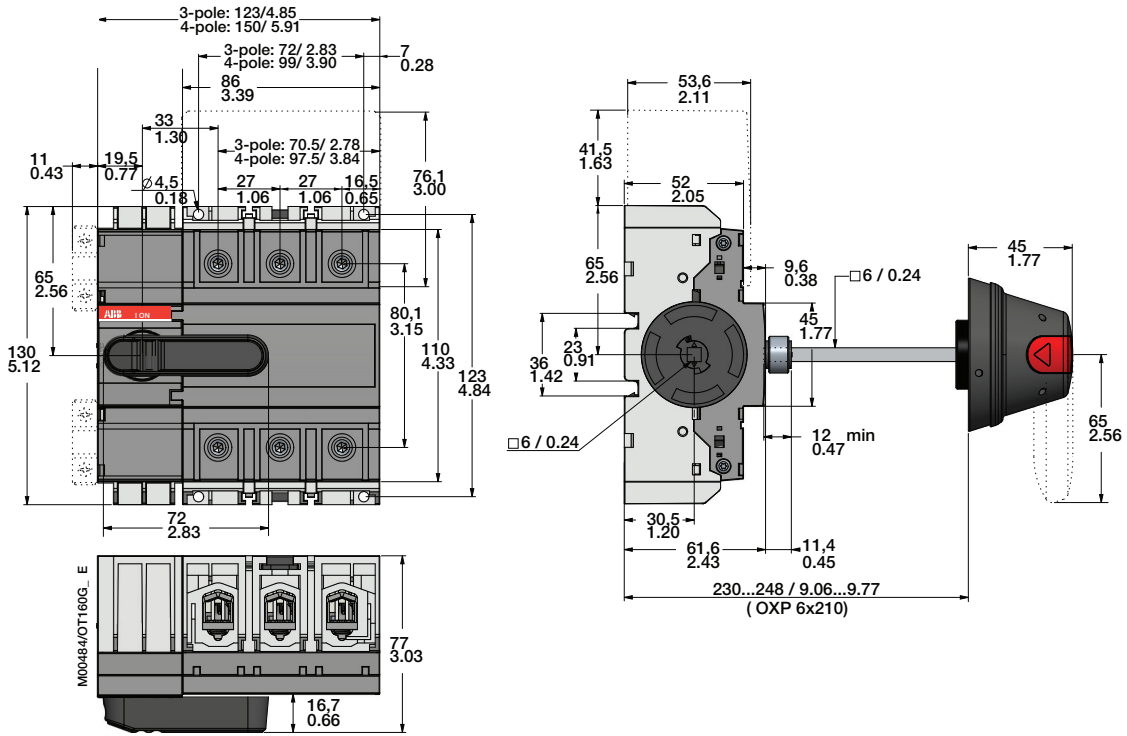


# Manual switch-disconnectors OT16...160

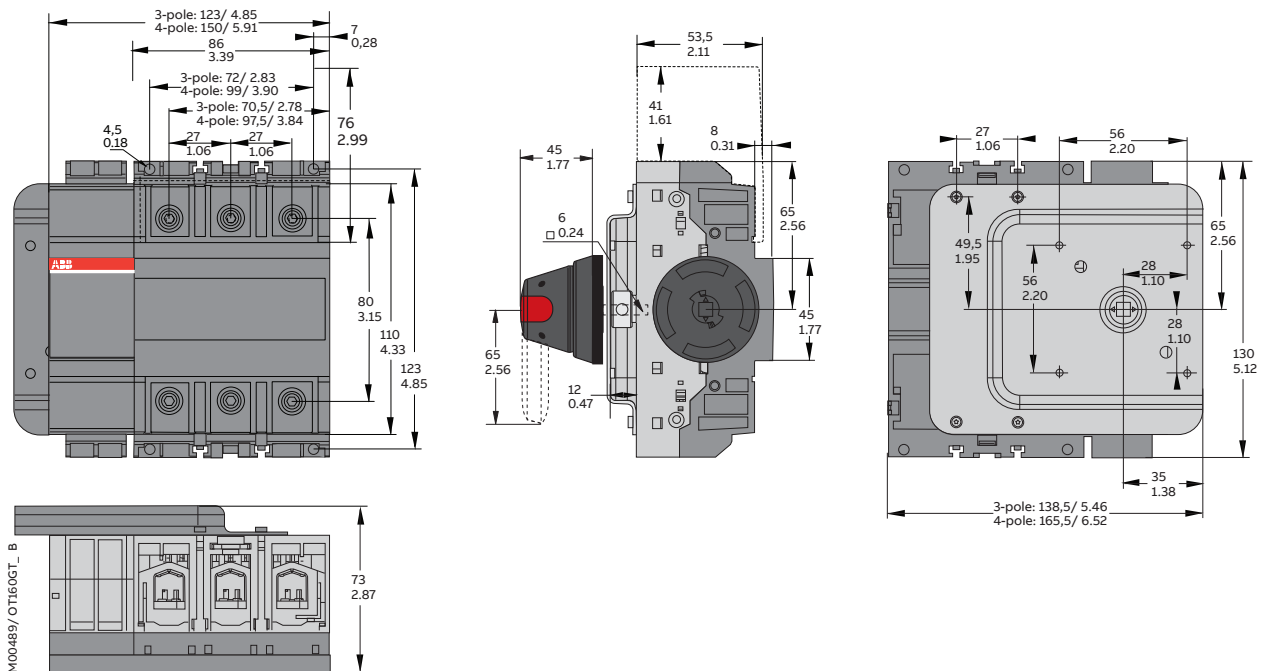
## Dimensional drawings

### OT160G switch-disconnectors, IEC and UL/CSA

#### OT160G03/04\_



#### OT160GT03/04\_





---

# OT Plus Switch disconnectors

---

|           |   |
|-----------|---|
| <b>34</b> | Introduction                                      |
| <b>39</b> | Technical data according to IEC 60947-3           |
| <b>41</b> | Technical data according to UL 60947-4-1 and UL98 |

---

# OT Plus Switch disconnectors

## One giant leap to progress

The all-in-one OT Plus Switch-disconnector range offers supreme protection and cutting-edge innovation for distribution and sub-distribution applications from 16A up to 160A, with 3-, 4-, 6-, and 8-pole options. So, whether your chosen application is low demand or requires the highest levels of continuity and safety, you have more options than ever before.

**\*G1 frame — 16A-63A**



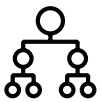
**G2 frame — 63A-100A**



**G3 frame — 30A-160A**



\*Launching in 2024



### Adaptable

Support more applications thanks to adjustable fourth-pole timing, which allows two different time offsets within the same switch: simultaneous or early-make / late-break. Find the right fit and install faster with overlapping current ratings, quick-spring terminals and more mounting positions.



### Sustainable

Go greener with a range that cuts power losses by up 27%, that is designed for a circular economy and made with high portion of recycled materials. Additionally, the OT Plus switch is over 95% recyclable.



### Reliable

Improve safety for people and assets, thanks to our true fourth-pole design, which reduces the risk of faults. Simplify and strengthen security with easier ways to lock and access the operating handle.

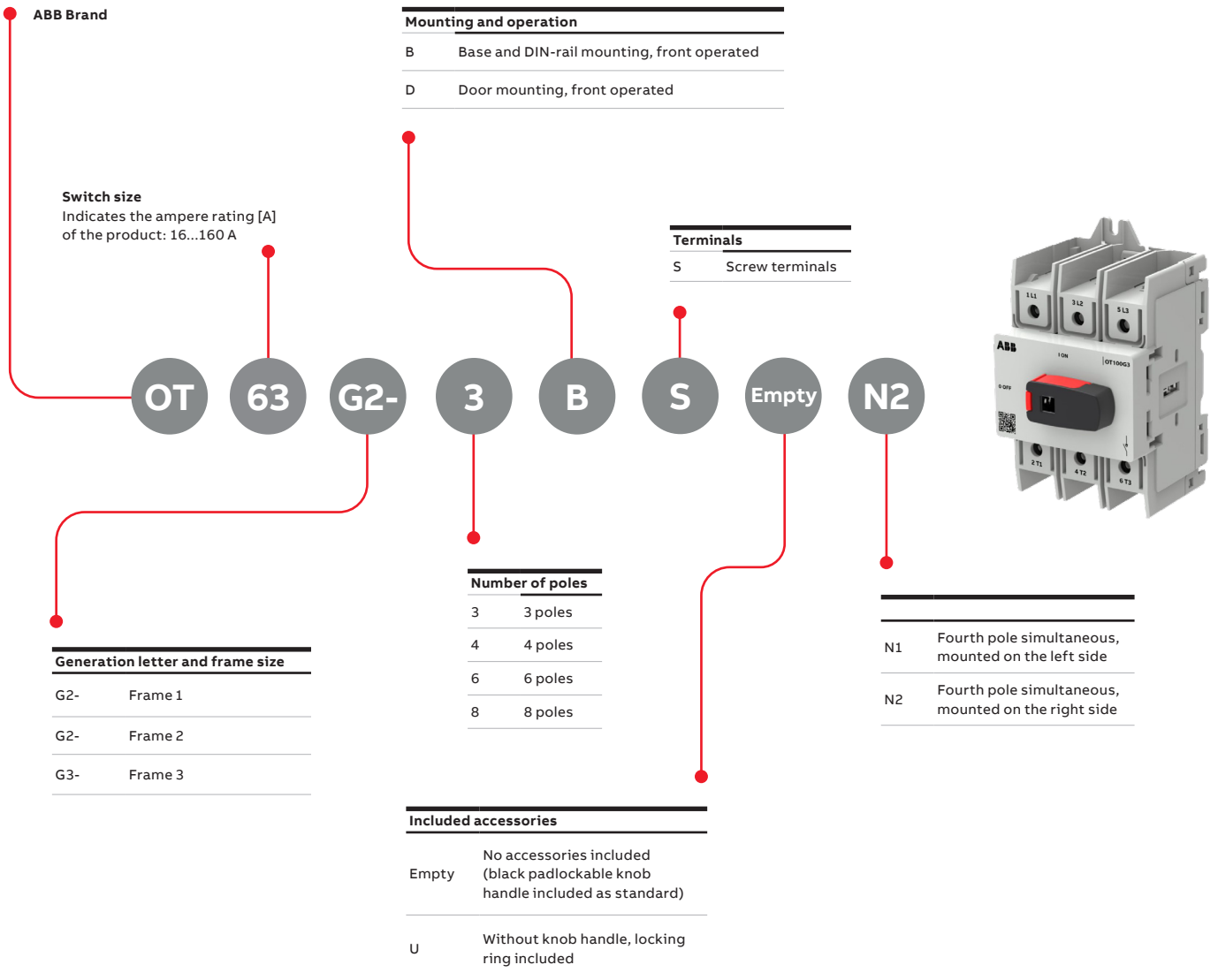


Please note that availability of this product may vary by country. For inquiries regarding availability in your region, please contact your local ABB representative.

# OT Plus

## Type designation key

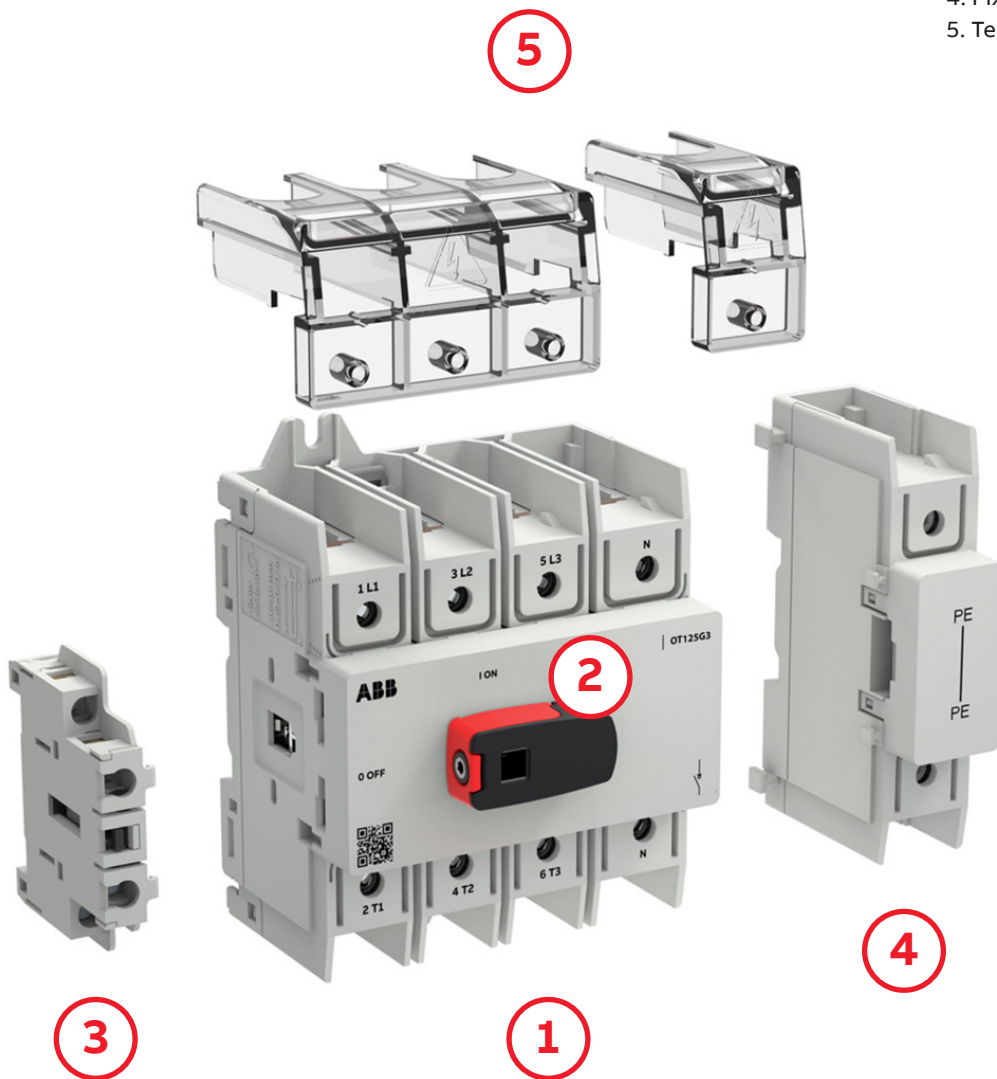
Find your perfect fit, fast. Understanding the type code keys below will help you quickly identify the correct product for your needs.



# OT Plus

## Exploded view

1. OT Plus switch-disconnector
2. Padlockable direct handle
3. Auxiliary contact 1NO + 1NC
4. Fixed PE or N terminal
5. Terminal shrouds



# OT Plus Switch-disconnectors

## Product range



|                              |                         |  |                                |  |
|------------------------------|-------------------------|--|--------------------------------|--|
| IEC60947-3                   |                         | OT16G1-<br>OT25G1-<br>OT40G1-<br>OT63G1- | OT63G2-<br>OT80G2-<br>OT100G2- | OT63G3-<br>OT80G3-<br>OT100G3-<br>OT125G3-<br>OT160G3- |
| UL60947-4-1<br>file # E63822 |                         | OT16G1-<br>OT25G1-<br>OT40G1-<br>OT63G1- | OT63G2-<br>OT80G2-             |  |
| UL98<br>file # E101914       |                         |  |                                | OT30G3-<br>OT60G3-<br>OT100G3-                         |
| <b>Frame size</b>            |                         | <b>G1</b>                                | <b>G2</b>                      | <b>G3</b>  |
| <b>Switch size</b>           |                         |  | 63 80 100                      | 30 60 63 80 100 125 160                                |
| IEC60947-3                   | $I_{th} / I_{the}$      |  | 63 A 80 A 100 A                | 40 A 63 A 63 A 80 A 100 A 125 A 160 A                  |
|                              | AC22A, <415VAC          |  | 63 A 80 A 100 A                | 40 A 63 A 63 A 80 A 100 A 125 A 160 A                  |
|                              | AC23A, <415VAC          |  | 63 A 80 A 80 A                 | 40 A 63 A 63 A 80 A 100 A 125 A 125 A                  |
|                              | AC21A, 800VAC           |  |                                | 40 A 63 A 80 A 80 A                                    |
| UL                           | Ampere rating<br>600VAC |  | 63 A 80 A                      | 30 A 60 A 100 A  |
|                              |                         | UL60947-4-1                              | UL60947-4-1                    | UL98   |



# OT Plus Switch disconnectors

## Technical data IEC

### Technical data according to IEC 60947-3 for 3- / 4-pole

|  |                    | OT63G2                     | OT80G2             | OT100G2            | OT63G3             | OT80G3             | OT100G3            | OT125G3            | OT160G3            |       |
|--|--------------------|----------------------------|--------------------|--------------------|--------------------|--------------------|--------------------|--------------------|--------------------|-------|
| Frame size   |                    | G2                         | G2                 | G2                 | G3                 | G3                 | G3                 | G3                 | G3                 |       |
| Rated insulation voltage and rated operational voltage AC20/DC20           | Pollution degree 3 | 800 V                      | 800 V              | 800 V              | 800 V              | 800 V              | 800 V              | 800 V              | 800 V              |       |
| Dielectric strength  | 50 Hz 1 min.       | 5 kV                       | 5 kV               | 5 kV               | 5 kV               | 5 kV               | 5 kV               | 5 kV               | 5 kV               |       |
| Rated impulse withstand voltage  |                    | 8 kV                       | 8 kV               | 8 kV               | 8 kV               | 8 kV               | 8 kV               | 8 kV               | 8 kV               |       |
| Rated thermal current and rated operational current AC20/DC20              | Ambient 40 °C      | In open air <sup>1)</sup>  | 63 A               | 80 A               | 100 A              | 63 A               | 80 A               | 100 A              | 125 A              | 160 A |
|  | Ambient 50 °C      | In open air                | 63 A               | 80 A               | 100 A              | 63 A               | 80 A               | 100 A              | 125 A              | 160 A |
|  | Ambient 40 °C      | In enclosure <sup>1)</sup> | 63 A               | 80 A               | 100 A              | 63 A               | 80 A               | 100 A              | 125 A              | 160 A |
|  | Ambient 60 °C      | In enclosure               | 55 A               | 55 A               | 55 A               | 63 A               | 80 A               | 90 A               | 90 A               | 90 A  |
| ..with minimum conductor cross section                                     | Cu                 | 16 mm <sup>2</sup>         | 25 mm <sup>2</sup> | 35 mm <sup>2</sup> | 16 mm <sup>2</sup> | 25 mm <sup>2</sup> | 35 mm <sup>2</sup> | 50 mm <sup>2</sup> | 70 mm <sup>2</sup> |       |
| Rated operational current, AC-21A  | 415 V              | 63 A                       | 80 A               | 100 A              | 63 A               | 80 A               | 100 A              | 125 A              | 160 A              |       |
|  | 690 V              | 63 A                       | 80 A               | 80 A               | 63 A               | 80 A               | 100 A              | 125 A              | 125 A              |       |
|  | 800 V              |                            |                    |                    | 40 A               | 63 A               | 80 A               | 80 A               | 80 A               |       |
| Rated operational current, AC-22A  | 415 V              | 63 A                       | 80 A               | 100 A              | 63 A               | 80 A               | 100 A              | 125 A              | 160 A              |       |
|  | 690 V              | 63 A                       | 80 A               | 80 A               | 63 A               | 80 A               | 100 A              | 125 A              | 125 A              |       |
|  | 800 V              |                            |                    |                    | 32 A               | 40 A               | 45 A               | 63 A               | 63 A               |       |
| Rated operational current, AC-23A  | 415 V              | 63 A                       | 80 A               | 80 A               | 63 A               | 80 A               | 100 A              | 125 A              | 125 A              |       |
|  | 690 V              | 32 A                       | 40 A               | 40 A               | 50 A               | 50 A               | 63 A               | 63 A               | 63 A               |       |
| Rated operational current, AC-23Ae   | 415 V              | 50 A                       | 60 A               | 65 A               | 63 A               | 63 A               | 80 A               | 80 A               | 80 A               |       |
|  | 690 V              | 25 A                       | 32 A               | 32 A               | 50 A               | 50 A               | 63 A               | 63 A               | 63 A               |       |
| Rated operational power, AC-23A  | 415 V              | 30 kW                      | 45 kW              | 45 kW              | 30 kW              | 45 kW              | 55 kW              | 55 kW              | 55 kW              |       |
|  | 690 V              | 30 kW                      | 37 kW              | 37 kW              | 45 kW              | 45 kW              | 55 kW              | 55 kW              | 55 kW              |       |
| Rated operational power, AC-23Ae   | 415 V              | 25 kW                      | 30 kW              | 30 kW              | 30 kW              | 30 kW              | 45 kW              | 45 kW              | 45 kW              |       |
|  | 690 V              | 22 kW                      | 30 kW              | 30 kW              | 45 kW              | 45 kW              | 55 kW              | 55 kW              | 55 kW              |       |
| Rated conditional short-circuit current                                    | Max. Fuse gG       | Iq 5kA / 415V              |                    |                    | 100 A              |                    |                    |                    | 160 A              |       |
|  | Max. Fuse gG/aM    | Iq 50 kA / 415 V           | 80 A / 80 A        | 80 A / 80 A        | 80 A / 80 A        | 80 A / 80 A        | 100A / 80 A        | 125 A / 125 A      | 125 A / 125 A      |       |
|  | Max. Fuse gG/aM    | Iq 50 kA / 690 V           | 80 A / 63 A        | 80 A / 63 A        | 80 A / 63 A        | 80 A / 80 A        | 80 A / 80 A        | 80 A / 80 A        | 80 A / 80 A        |       |
|  | Max. Fuse gR       | Iq 50 kA / 800 V           |                    |                    |                    | 80 A               | 80 A               | 80 A               | 80 A               |       |
|  | MCCB XT2L_         | Iq 5 kA / 690 V            |                    |                    |                    | 80 A               | 100 A              | 125 A              | 160 A              |       |
|  | MCB S800           | Iq 6 kA / 415 V            | 80 A               | 100 A              | 125 A              |                    |                    |                    |                    |       |
| Rated short time withstand current   | r.m.s. - value Icw | 690 V, 0,25 s              | 2.5 kA             | 2.5 kA             | 2.5 kA             | 3.3 kA             | 3.3 kA             | 3.3 kA             | 3.3 kA             |       |
|  |                    | 690 V, 1 s                 | 1.5 kA             | 1.5 kA             | 1.5 kA             | 2.5 kA             | 2.5 kA             | 2.5 kA             | 2.5 kA             |       |
| Rated short circuit current making capacity                                | Peak value Icm     | 690 V                      | 3.5 kA             | 3.5 kA             | 3.5 kA             | 4.8 kA             | 4.8 kA             | 4.8 kA             | 4.8 kA             |       |
| Rated capacitor power (the capacitor ratings are limited by the fuse link) |                    | 400...415 V                | 25 kVAr            | 30 kVAr            | 30 kVAr            | 35 kVAr            | 40 kVAr            | 40 kVAr            | 50 kVAr            |       |

<sup>1)</sup> Acc. to IEC 60947-1, § 6.1.1.





# OT Plus Switch disconnectors

## Technical data IEC

### Technical data according to IEC 60947-3 for 6- / 8-pole

|   |  | OT63G2                   | OT80G2                   | OT63G3                   | OT80G3                   | OT100G3                  | OT125G3                  | OT160G3 <sup>2)</sup>    |
|---|--|--------------------------|--------------------------|--------------------------|--------------------------|--------------------------|--------------------------|--------------------------|
| Frame size  |  | G2                       | G2                       | G3                       | G3                       | G3                       | G3                       | G3                       |
| Rated insulation voltage and rated operational voltage AC20/DC20            | Pollution degree 3                                     | 800 V                    | 800 V                    | 800 V                    | 800 V                    | 800 V                    | 800 V                    | 800 V                    |
| Dielectric strength   | 50 Hz 1 min.   | 5 kV                     | 5 kV                     | 5 kV                     | 5 kV                     | 5 kV                     | 5 kV                     | 5 kV                     |
| Rated impulse withstand voltage   |  | 8 kV                     | 8 kV                     | 8 kV                     | 8 kV                     | 8 kV                     | 8 kV                     | 8 kV                     |
| Rated thermal current and rated operational current AC20/DC20               | Ambient 40 °C In open air                              | 63 A                     | 80 A                     | 63 A                     | 80 A                     | 100 A                    | 125 A                    | 160 A                    |
|   | Ambient 40 °C In enclosure                             | 63 A                     | 80 A                     | 63 A                     | 80 A                     | 100 A                    | 125 A                    | 160 A                    |
| Rated operational current, AC-21A<br>..with minimum conductor cross section | Cu   | 16 mm <sup>2</sup>       | 25 mm <sup>2</sup>       | 16 mm <sup>2</sup>       | 25 mm <sup>2</sup>       | 35 mm <sup>2</sup>       | 50 mm <sup>2</sup>       | 70 mm <sup>2</sup>       |
|   | 415 V  | 63 A                     | 80 A                     | 63 A                     | 80 A                     | 100 A                    | 125 A                    | 160 A                    |
|   | 690 V  | 63 A                     | 80 A                     | 63 A                     | 80 A                     | 100 A                    | 125 A                    | 125 A                    |
| Rated operational current, AC-22A   | 800 V  |                          |                          | 40 A                     | 63 A                     | 80 A                     | 80 A                     | 80 A                     |
|   | 415 V  | 63 A                     | 80 A                     | 63 A                     | 80 A                     | 100 A                    | 125 A                    | 160 A                    |
|   | 690 V  | 63 A                     | 80 A                     | 63 A                     | 80 A                     | 100 A                    | 125 A                    | 125 A                    |
| Rated operational current, AC-23A   | 800 V  |                          |                          | 32 A                     | 40 A                     | 45 A                     | 63 A                     | 63 A                     |
|   | 415 V  | 63 A                     | 65 A                     | 63 A                     | 80 A                     | 100 A                    | 125 A                    | 125 A                    |
|   | 690 V  | 32 A                     | 40 A                     | 50 A                     | 50 A                     | 63 A                     | 63 A                     | 63 A                     |
| Rated operational current, AC-23Ae  | 415 V  | 50 A                     | 65 A                     | 63 A                     | 63 A                     | 80 A                     | 80 A                     | 80 A                     |
|   | 690 V  | 25 A                     | 32 A                     | 50 A                     | 50 A                     | 63 A                     | 63 A                     | 63 A                     |
| Rated operational power, AC-23A   | 415 V  | 30 kW                    | 45 kW                    | 30 kW                    | 45 kW                    | 55 kW                    | 55 kW                    | 55 kW                    |
|   | 690 V  | 30 kW                    | 37 kW                    | 45 kW                    | 45 kW                    | 55 kW                    | 55 kW                    | 55 kW                    |
| Rated operational power, AC-23Ae  | 415 V  | 25 kW                    | 30 kW                    | 30 kW                    | 30 kW                    | 45 kW                    | 45 kW                    | 45 kW                    |
|   | 690 V  | 22 kW                    | 30 kW                    | 45 kW                    | 45 kW                    | 55 kW                    | 55 kW                    | 55 kW                    |
| Rated conditional short-circuit current                                     | Max. Fuse gG/aM Iq 25kA / 415V                         |                          |                          | / 63 A <sup>1)</sup>     | / 80 A <sup>1)</sup>     | / 80 A <sup>1)</sup>     | / 80 A <sup>1)</sup>     | / 80 A <sup>1)</sup>     |
|   | Max. Fuse gG/aM Iq 25kA / 690V                         |                          |                          | / 63 A <sup>1)</sup>     | / 80 A <sup>1)</sup>     | / 80 A <sup>1)</sup>     | / 80 A <sup>1)</sup>     | / 80 A <sup>1)</sup>     |
|   | Max. Fuse gG/aM Iq 50kA / 415V                         | 80 A/63 A                | 80 A/63 A                |                          |                          |                          |                          |                          |
|   | Max. Fuse gG/aM Iq 50kA / 690V                         | 80 A/63 A                | 80 A/63 A                |                          |                          |                          |                          |                          |
| Rated short time withstand current  | r.m.s. - value Icw                                     | 690 V, 0.25 s            | 2.5 kA                   | 2.5 kA                   | 3.2 kA                   | 3.2 kA                   | 3.2 kA                   | 3.2 kA                   |
|   | 690 V, 1 s   |                          | 1.5 kA                   | 1.5 kA                   | 2.5 kA                   | 2.5 kA                   | 2.5 kA                   | 2.5 kA                   |
| Rated short circuit current making capacity                                 | Peak value Icm   | 690 V                    | 3.5 kA                   | 3.5 kA                   | 3.5 kA                   | 4.8 kA                   | 4.8 kA                   | 4.8 kA                   |
| Power loss/ pole  | At operational current                                 | 2.2 kA                   | 3.4 kA                   | 1.5 kA                   | 2.5 kA                   | 3.7 kA                   | 4.6 kA                   | 7.3 kA                   |
| Mechanical endurance  | Divide by two for operation cycles                     | 20,000                   | 20,000                   | 20,000                   | 20,000                   | 20,000                   | 20,000                   | 20,000                   |
| Weight without accessories  | 6-pole switch  | 0.56 kg                  | 0.56 kg                  | 0.70 kg                  | 0.70 kg                  | 0.70 kg                  | 0.70 kg                  | 0.70 kg                  |
|   | 8-pole switch  | 0.86 kg                  | 0.86 kg                  | 1.10 kg                  | 1.10 kg                  | 1.10 kg                  | 1.10 kg                  | 1.10 kg                  |
| Cable size  | Single Cu-wire size Min...Max.                         | 1.5...35 mm <sup>2</sup> | 1.5...35 mm <sup>2</sup> | 2.5...70 mm <sup>2</sup> | 2.5...70 mm <sup>2</sup> | 2.5...70 mm <sup>2</sup> | 2.5...70 mm <sup>2</sup> | 2.5...70 mm <sup>2</sup> |
|   | Class 6 - Very flexible, fine stranded with ferrule    | 1.5...4 mm <sup>2</sup>  | 1.5...4 mm <sup>2</sup>  | 2.5...4 mm <sup>2</sup>  | 2.5...4 mm <sup>2</sup>  | 2.5...4 mm <sup>2</sup>  | 2.5...4 mm <sup>2</sup>  | 2.5...4 mm <sup>2</sup>  |
|   | Class 5 - Flexible                                     | 1.5...35 mm <sup>2</sup> | 1.5...35 mm <sup>2</sup> | 4...70 mm <sup>2</sup>   | 4...70 mm <sup>2</sup>   | 4...70 mm <sup>2</sup>   | 4...70 mm <sup>2</sup>   | 4...70 mm <sup>2</sup>   |
|   | Class 2 - Stranded                                     | 1.5...35 mm <sup>2</sup> | 1.5...35 mm <sup>2</sup> | 4...70 mm <sup>2</sup>   | 4...70 mm <sup>2</sup>   | 4...70 mm <sup>2</sup>   | 4...70 mm <sup>2</sup>   | 4...70 mm <sup>2</sup>   |
|   | Class 1 - Solid  | 1.5...6 mm <sup>2</sup>  | 1.5...6 mm <sup>2</sup>  | 2.5...6 mm <sup>2</sup>  | 2.5...6 mm <sup>2</sup>  | 2.5...6 mm <sup>2</sup>  | 2.5...6 mm <sup>2</sup>  | 2.5...6 mm <sup>2</sup>  |
|   | Dual Cu-wire size Min...Max                            | 1.5...16 mm <sup>2</sup> | 1.5...16 mm <sup>2</sup> | 2.5...25 mm <sup>2</sup> | 2.5...25 mm <sup>2</sup> | 2.5...25 mm <sup>2</sup> | 2.5...25 mm <sup>2</sup> | 2.5...25 mm <sup>2</sup> |
|   | 2x Class 6 - Very flexible, fine stranded with ferrule | 1.5...4 mm <sup>2</sup>  | 1.5...4 mm <sup>2</sup>  | 2.5...4 mm <sup>2</sup>  | 2.5...4 mm <sup>2</sup>  | 2.5...4 mm <sup>2</sup>  | 2.5...4 mm <sup>2</sup>  | 2.5...4 mm <sup>2</sup>  |
|   | 2x Class 5 - Flexible                                  | 1.5...16 mm <sup>2</sup> | 1.5...16 mm <sup>2</sup> | 4...25 mm <sup>2</sup>   | 4...25 mm <sup>2</sup>   | 4...25 mm <sup>2</sup>   | 4...25 mm <sup>2</sup>   | 4...25 mm <sup>2</sup>   |
|   | 2x Class 2 - Stranded                                  | 1.5...16 mm <sup>2</sup> | 1.5...16 mm <sup>2</sup> | 4...25 mm <sup>2</sup>   | 4...25 mm <sup>2</sup>   | 4...25 mm <sup>2</sup>   | 4...25 mm <sup>2</sup>   | 4...25 mm <sup>2</sup>   |
|   | 2x Class 1 - Solid                                     | 1.5...6 mm <sup>2</sup>  | 1.5...6 mm <sup>2</sup>  | 2.5...6 mm <sup>2</sup>  | 2.5...6 mm <sup>2</sup>  | 2.5...6 mm <sup>2</sup>  | 2.5...6 mm <sup>2</sup>  | 2.5...6 mm <sup>2</sup>  |
|   | Cu-wire size suitable                                  | 16-2 AWG                 | 16-2 AWG                 | 12-2/0 AWG               | 12-2/0 AWG               | 12-2/0 AWG               | 12-2/0 AWG               | 12-2/0 AWG               |
|   | Double wire (2x)                                       | 16-8 AWG                 | 16-8 AWG                 | 12-4 AWG                 | 12-4 AWG                 | 12-4 AWG                 | 12-4 AWG                 | 12-4 AWG                 |
| Terminal tightening torque  | Counter torque required                                | 2 Nm                     | 2 Nm                     | 6 Nm                     | 6 Nm                     | 6 Nm                     | 6 Nm                     | 6 Nm                     |
|   |  | 18 lb.in                 | 18 lb.in                 | 53 lb.in                 | 53 lb.in                 | 53 lb.in                 | 53 lb.in                 | 53 lb.in                 |
| Operating torque  | 6-pole switch disconnector                             | 4 Nm                     | 4 Nm                     | 4 Nm                     | 4 Nm                     | 4 Nm                     | 4 Nm                     | 4 Nm                     |
|   |  | 36 lb.in                 | 36 lb.in                 | 36 lb.in                 | 36 lb.in                 | 36 lb.in                 | 36 lb.in                 | 36 lb.in                 |

1) Max. Rated fuse size for 6-pole switch disconnector

2) Not available as 8-pole switch disconnector

# OT Plus Switch disconnectors

## Technical data UL

### Technical data according to UL 60947-4-1 and UL98 for 3- / 4-pole

|  |  | OT63G2   | OT80G2       | OT30G3   | OT60G3       | OT100G3                    |        |
|--|--|--|--------------|--|--------------|----------------------------|--------|
| Frame size                                 |  | G2   | G2           | G3   | G3           | G3                         |        |
| Approval Compliance                        |  | cULus Listed<br>E63822<br>UL 60947-4-1<br>CSA C22.2<br>No.14 |              | cULus Listed<br>E101914<br>UL98<br>CSA C22.2<br>No.4 |              |                            |        |
| Max. Operating voltage                     |  | 600 V  | 600 V        | 600 V  | 600 V        | 600 V                      |        |
| General purpose amp rating                 |  | 63 A   | 80 A         | 30 A   | 60 A         | 100 A                      |        |
| Max. Horsepower rating / motor FLA current |  | pf = 0.7...0.8   |              | pf = 0.4...0.5                                       |              |                            |        |
| Three phase                                |  | 120 V  | 5 hp/ 30.4 A | 5 hp/ 30.4 A   | 5 hp/ 30.4 A | 10 hp/56 A                 |        |
| 208 V                                      |  | 15 hp/46.2 A   | 20 hp/59.4 A |  |              |                            |        |
| 240 V                                      |  | 15 hp/42 A   | 20 hp/54 A   | 10 hp/28 A   | 20 hp/54 A   | 30 hp/80 A                 |        |
| 480 V                                      |  | 30 hp/40 A   | 40 hp/52 A   | 20 hp/27 A   | 40 hp/52 A   | 50 hp/65 A                 |        |
| 600 V                                      |  | 30 hp/32 A   | 40 hp/41 A   | 30 hp/32 A   | 50 hp/52 A   | 60 hp/62 A                 |        |
| Single phase                               |  | 120 V  | 2 hp/24 A    | 2 hp/24 A  | 2 hp/24 A    | 3 hp/ 34 A                 |        |
| 208 V                                      |  | 7.5 hp/44 A  | 10 hp/55 A   |  |              |                            |        |
| 240 V                                      |  | 7.5 hp/40 A  | 10 hp/50 A   | 5 hp/28 A  | 7.5 hp/40 A  | 15 hp/68 A                 |        |
| 480 V                                      |  | 15 hp/34 A   | 20 hp/44 A   | 10 hp/26 A   | 15 hp/34 A   | 25 hp/55 A                 |        |
| 600 V                                      |  | 15 hp/27 A   | 20 hp/39 A   | 15 hp/27 A   | 25 hp/44 A   | 30 hp/54 A                 |        |
| Short circuit rating with fuse             |  | Maximum fuse size  |              | Maximum fuse size                                    |              | Maximum fuse size          |        |
|  |  | 100 A  | 150 A        | 100 A  | 150 A        | 60 A                       | 60 A   |
|  |  | 100 A  | 100 A        | 100 A  | 100 A        | 100 A                      | 100 A  |
|  |  | 100 kA   | 100 kA       | 100 kA   | 100 kA       | 100 kA                     | 100 kA |
|  |  | 5 kA   | 5 kA         | 5 kA   | 5 kA         | 5 kA                       | 5 kA   |
| Rated amp rating in DC applications        |  | 250Vdc 2-Pole connection                                     |              | 250Vdc 2-Pole connection                             |              | 250Vdc 2-Pole connection   |        |
|  |  | 63 A   | 80 A         | 30 A   | 60 A         | 100 A                      |        |
| Min. Electrical endurance, pf = 0.75...0.8 |  | Electrical operations  |              | Electrical operations                                |              | Electrical operations      |        |
| Divide by two for operation cycles         |  | Mechanical operations  |              | Mechanical operations                                |              | Mechanical operations      |        |
|  |  | 6 000  | 6 000        | 6 000  | 6 000        | 6 000                      |        |
|  |  | 200 000  | 200 000      | 200 000  | 200 000      | 200 000                    |        |
| Terminal lugs                              |  | integrated   |              | integrated   |              | integrated                 |        |
| Wire range                                 |  | integrated   |              | integrated   |              | integrated                 |        |
|  |  | Single stranded  |              | Single stranded                                      |              | Single stranded            |        |
|  |  | 16-2 AWG   |              | 16-2 AWG   |              | 12-2/0 AWG                 |        |
|  |  | Single solid   |              | Single solid   |              | Single solid               |        |
|  |  | 16-10 AWG  |              | 16-10 AWG  |              | 12-4 AWG                   |        |
|  |  | Double stranded (2x)   |              | Double stranded (2x)                                 |              | Double stranded (2x)       |        |
|  |  | 16-8 AWG   |              | 16-8 AWG   |              | 12-4 AWG                   |        |
|  |  | Double solid (2x)  |              | Double solid (2x)                                    |              | Double solid (2x)          |        |
|  |  | 16-10 AWG  |              | 16-10 AWG  |              | 12-4 AWG                   |        |
| Terminal tightening torque                 |  | Counter torque required                                      |              | Counter torque required                              |              | Counter torque required    |        |
|  |  | 18 lb.in<br>2 Nm   |              | 18 lb.in<br>2 Nm                                     |              | 53 lb.in<br>6 Nm           |        |
|  |  | 53 lb.in<br>6 Nm   |              | 53 lb.in<br>6 Nm                                     |              | 53 lb.in<br>6 Nm           |        |
| Weight without accessories                 |  | 3-pole   |              | 3-pole   |              | 3-pole                     |        |
|  |  | 0.55 lbs   |              | 0.55 lbs   |              | 0.88 lbs                   |        |
|  |  | 0.71 lbs   |              | 0.71 lbs   |              | 1.15 lbs                   |        |
|  |  | 0.71 lbs   |              | 0.71 lbs   |              | 1.15 lbs                   |        |
|  |  | 1.15 lbs   |              | 1.15 lbs   |              | 1.15 lbs                   |        |
| Operating torque                           |  | 3-pole switch-disconnector                                   |              | 3-pole switch-disconnector                           |              | 3-pole switch-disconnector |        |
|  |  | 18 lb.in<br>2 Nm   |              | 18 lb.in<br>2 Nm                                     |              | 18 lb.in<br>2 Nm           |        |
|  |  | 18 lb.in<br>2 Nm   |              | 18 lb.in<br>2 Nm                                     |              | 18 lb.in<br>2 Nm           |        |

### Technical data according to IEC 60947-3 for 3- / 4-pole

|  |  | OT63G2             | OT80G2 | OT30G3             | OT60G3 | OT100G3            |  |
|--|--|--------------------|--------|--------------------|--------|--------------------|--|
| Frame size   |  | G2                 | G2     | G3                 | G3     | G3                 |  |
| Rated insulation voltage and rated operational voltage AC20/DC20 |  | Pollution degree 3 |        | Pollution degree 3 |        | Pollution degree 3 |  |
|  |  | 800 V              |        | 800 V              |        | 800 V              |  |
| Dielectric strength  |  | 50 Hz, 1 min       |        | 50 Hz, 1 min       |        | 50 Hz, 1 min       |  |
|  |  | 6 kV               |        | 6 kV               |        | 6 kV               |  |
| Rated impulse withstand voltage                                  |  | 8 kV               |        | 8 kV               |        | 8 kV               |  |
| Rated operational current, AC-21A                                |  | 415V               |        | 415V               |        | 415V               |  |
|  |  | 63 A               |        | 80 A               |        | 40 A               |  |
|  |  | 63 A               |        | 80 A               |        | 63 A               |  |
|  |  | 63 A               |        | 80 A               |        | 63 A               |  |
| Rated operational current, AC-22A                                |  | 415V               |        | 415V               |        | 415V               |  |
|  |  | 63 A               |        | 80 A               |        | 40 A               |  |
|  |  | 63 A               |        | 80 A               |        | 63 A               |  |
|  |  | 63 A               |        | 80 A               |        | 63 A               |  |
| Rated operational current, AC-23A                                |  | 415V               |        | 415V               |        | 415V               |  |
|  |  | 63 A               |        | 80 A               |        | 40 A               |  |
|  |  | 63 A               |        | 80 A               |        | 63 A               |  |
|  |  | 63 A               |        | 80 A               |        | 63 A               |  |
| Rated operational current, AC-23Ae                               |  | 415V               |        | 415V               |        | 415V               |  |
|  |  | 50 A               |        | 60 A               |        | 40 A               |  |
|  |  | 25 A               |        | 32 A               |        | 40 A               |  |
|  |  | 25 A               |        | 32 A               |        | 40 A               |  |
| Rated conditional short-circuit current                          |  | Max. Fuse gG/aM    |        | Max. Fuse gG/aM    |        | Max. Fuse gG/aM    |  |
|  |  | Iq 50 kA / 415 V   |        | 80 A / 80 A        |        | 80 A / 80 A        |  |
|  |  | Iq 50 kA / 690 V   |        | 80 A / 63 A        |        | 80 A / 63 A        |  |
|  |  | Iq 5 kA / 415 V    |        | 80 A               |        | 80 A               |  |
|  |  | Iq 6 kA / 415 V    |        | 80 A               |        | 80 A               |  |
|  |  | Iq 25 kA / 415 V   |        | 80 A               |        | 80 A               |  |
| Rated short time withstand current                               |  | r.m.s.- value Icw  |        | r.m.s.- value Icw  |        | r.m.s.- value Icw  |  |
|  |  | 690 V, 0.25 s      |        | 2.5 kA             |        | 2.5 kA             |  |
|  |  | 690 V, 1 s         |        | 1.5 kA             |        | 1.5 kA             |  |
| Rated short circuit current making capacity                      |  | Peak value Icm     |        | Peak value Icm     |        | Peak value Icm     |  |
|  |  | 690 V              |        | 3.5 kA             |        | 3.5 kA             |  |
|  |  | 3.5 kA             |        | 3.5 kA             |        | 4.7 kA             |  |
|  |  | 3.5 kA             |        | 3.5 kA             |        | 4.7 kA             |  |

# OT Plus Switch disconnectors

## Technical data UL

### Technical data according to UL 60947-4-1 and UL98 for 6- / 8-pole

|  |                            | OT63G2                             | OT80G2                | OT30G3                    | OT60G3           | OT100G3          |            |
|--|----------------------------|------------------------------------|-----------------------|---------------------------|------------------|------------------|------------|
| Frame size                                 |                            | G2                                 | G2                    | G3                        | G3               | G3               |            |
| Approval Compliance                        |                            | UL 60947-4-1<br>CSA C22.2<br>No.14 |                       | UL98<br>CSA C22.2<br>No.4 |                  |                  |            |
|  |                            | E63822                             |                       | E101914                   |                  |                  |            |
| Max. Operating voltage                     |                            | 600 V                              | 600 V                 | 600 V                     | 600 V            | 600 V            |            |
| General purpose amp rating                 | pf = 0.7...0.8             | 63 A                               | 80 A <sup>1) 2)</sup> | 30 A                      | 60 A             | 100 A            |            |
| Max. Horsepower rating / motor FLA current | Three phase                | 120 V                              | 5 hp/ 30.4 A          | 5 hp/30.4 A               | 5 hp/30.4 A      | 7.5 hp/44 A      |            |
|  |                            | 208 V                              | 15 hp/46.2 A          | 20 hp/59.4 A              |                  | 10 hp/56 A       |            |
|  |                            | 240 V                              | 15 hp/42 A            | 20 hp/54 A                | 10 hp/28 A       | 20 hp/54 A       | 30 hp/80 A |
|  |                            | 480 V                              | 30 hp/40 A            | 40 hp/52 A                | 20 hp/27 A       | 40 hp/52 A       | 50 hp/65 A |
|  | Single phase               | 600 V                              | 30 hp/32 A            | 40 hp/41 A                | 30 hp/32 A       | 50 hp/52 A       | 60 hp/62 A |
|  |                            | 120 V                              | 2 hp/24 A             | 2 hp/24 A                 | 2 hp/24 A        | 3 hp/ 34 A       | 5 hp/56 A  |
|  |                            | 208 V                              | 7.5 hp/44 A           | 10 hp/55 A                |                  |                  |            |
|  |                            | 240 V                              | 7.5 hp/40 A           | 10 hp/50 A                | 5 hp/28 A        | 7.5 hp/40 A      | 15 hp/68 A |
|  |                            | 480 V                              | 15 hp/34 A            | 20 hp/44 A                | 10 hp/26 A       | 15 hp/34 A       | 25 hp/55 A |
|  |                            | 600 V                              | 15 hp/27 A            | 20 hp/39 A                | 15 hp/27 A       | 25 hp/44 A       | 30 hp/54 A |
| Short circuit rating with fuse             | Maximum fuse size          | 100 A                              | 150 A                 | 100 A                     | 150 A            | 60 A             |            |
|  | Fuse type                  | J                                  | 100 kA                | 100 kA                    | 100 kA           | 100 kA           | 100 kA     |
|  |                            | T                                  | 100 kA                | 100 kA                    | 100 kA           | 100 kA           | 100 kA     |
|  |                            | RK5 1-phase<br>RK5 3-phase         | 5 kA                  | 5 kA                      | 5 kA             |                  |            |
| Rated amp rating in DC applications        | 250Vdc 2-Pole connection   |                                    |                       | 30 A                      | 60 A             | 100 A            |            |
| Min. Electrical endurance, pf = 0.75...0.8 | Electrical operations      | 6,000                              | 6,000                 | 6,000                     | 6,000            | 6,000            |            |
|  | Mechanical operations      | 20,000                             | 20,000                | 20,000                    | 20,000           | 20,000           |            |
| Divide by two for operation cycles         |                            |                                    |                       |                           |                  |                  |            |
| Terminal lugs                              |                            | integrated                         | integrated            | integrated                | integrated       | integrated       |            |
| Wire range copper                          | Single stranded            | 16-2 AWG                           | 16-2 AWG              | 12-2/0 AWG                | 12-2/0 AWG       | 12-2/0 AWG       |            |
|  | Single solid               | 16-10 AWG                          | 16-10 AWG             | 12-10 AWG                 |                  |                  |            |
|  | Double stranded (2x)       | 16-8 AWG                           | 16-8 AWG              |                           | 12-4 AWG         | 12-4 AWG         |            |
|  | Double solid (2x)          | 16-10 AWG                          | 16-10 AWG             |                           |                  |                  |            |
| Terminal tightening torque                 | Counter torque required    | 18 lb.in<br>2 Nm                   | 18 lb.in<br>2 Nm      | 53 lb.in<br>6 Nm          | 53 lb.in<br>6 Nm | 53 lb.in<br>6 Nm |            |
| Weight without accessories                 | 6-pole                     | 1.24 lbs                           | 1.24 lbs              | 1.93 lbs                  | 1.93 lbs         | 1.93 lbs         |            |
|  | 8-pole                     | 1.55 lbs                           | 1.55 lbs              | 2.43 lbs                  | 2.43 lbs         | 2.43 lbs         |            |
| Operating torque                           | 6-pole switch-disconnector | 36 lb.in<br>4 Nm                   | 36 lb.in<br>4 Nm      | 36 lb.in<br>4 Nm          | 36 lb.in<br>4 Nm | 36 lb.in<br>4 Nm |            |
| Technical data according to IEC 60947-3    |                            | OT63G2-                            | OT80G2-               |                           | OT63G3-          | OT100G3-         |            |

1) 75oC cable. 6-pole  
2) 75oC cable. 8-pole 73 A



---

# Ordering information

|    |   |
|----|---|
| 44 | Power Distribution and Motor Loads 415VAC , IEC                         |
| 46 | Power Distribution and Motor Loads 690VAC and 800VAC applications , IEC |
| 50 | Applications up to 600 VAC, UL  |

---

---



Please note that availability of this product may vary by country. For inquiries regarding availability in your region, please contact your local ABB representative.

## OT Plus Switch disconnectors, IEC

### Ordering information

#### Power Distribution <415VAC

Door mounted switch disconnectors, with screw terminals. IEC60947-3. Including protected terminal clamps IP20 from front. External operating handle and shaft are not included.



OT63...100G2-3BS



OT63...100G2-4BSN2

#### Operational voltage: <415VAC

| Number of poles | Open air thermal current I <sub>th</sub> | Copper cable cross section | Rated operational currents AC21A/AC22A <415VAC | Frame size | Type                        | Order code      |
|-----------------|--|----------------------------|--|------------|-----------------------------|-----------------|
|                 | A  | mm <sup>2</sup>            | A  |            |                             |                 |
| 3               | 63                                       | 1.5...35                   | 63/63  | G2         | OT63G2-3BS                  | 1SCA162548R1001 |
| 4               | 63                                       | 1.5...35                   | 63/63  | G2         | OT63G2-4BSN2                | 1SCA162559R1001 |
| 3               | 80                                       | 1.5...35                   | 80/80  | G2         | OT80G2-3BS                  | 1SCA162549R1001 |
| 4               | 80                                       | 1.5...35                   | 80/80  | G2         | OT80G2-4BSN2                | 1SCA162561R1001 |
| 3               | 100                                      | 1.5...35                   | 100/100  | G2         | OT100G2-3BS <sup>1)</sup>   | 1SCA162547R1001 |
| 4               | 100                                      | 1.5...35                   | 100/100  | G2         | OT100G2-4BSN2 <sup>1)</sup> | 1SCA162557R1001 |
| 3               | 100                                      | 2.5...70                   | 100/100  | G3         | OT100G3-3BS                 | 1SCA162507R1001 |
| 4               | 100                                      | 2.5...70                   | 100/100  | G3         | OT100G3-4BSN2               | 1SCA162513R1001 |
| 3               | 125                                      | 2.5...70                   | 125/125  | G3         | OT125G3-3BS                 | 1SCA162521R1001 |
| 4               | 125                                      | 2.5...70                   | 125/125  | G3         | OT125G3-4BSN2               | 1SCA162526R1001 |
| 3               | 160                                      | 2.5...70                   | 160/160  | G3         | OT160G3-3BS <sup>1)</sup>   | 1SCA162522R1001 |
| 4               | 160                                      | 2.5...70                   | 160/160  | G3         | OT160G3-4BSN2 <sup>1)</sup> | 1SCA162528R1001 |

Four pole switches also available with neutral to left N1 (example OT125G3-4BSN1)

<sup>1)</sup> Short circuit rating with fuse I<sub>q</sub> 5kA

#### Motor Loads <415VAC

Front operated switch disconnectors, base and DIN-rail mounting IEC with screw terminals. IEC60947-3. Including padlockable direct mounted handle, and protected terminal clamps IP20 from front. External operating handle and shaft are not included.



OT100...160G3-3BS



#### Operational voltage: <415VAC

| Number of poles | Open air thermal current I <sub>th</sub> | Copper cable cross section | Max.motor output/ AC23A <415VAC | Frame size | Type          | Order code      |
|-----------------|--|----------------------------|---------------------------------|------------|---------------|-----------------|
|                 | A  | mm <sup>2</sup>            | A/kW                            |            |               |                 |
| 3               | 63                                       | 1.5...35                   | 63/30                           | G2         | OT63G2-3BS    | 1SCA162548R1001 |
| 4               | 63                                       | 1.5...35                   | 63/30                           | G2         | OT63G2-4BSN2  | 1SCA162559R1001 |
| 3               | 80                                       | 1.5...35                   | 80/37                           | G2         | OT80G2-3BS    | 1SCA162549R1001 |
| 4               | 80                                       | 1.5...35                   | 80/37                           | G2         | OT80G2-4BSN2  | 1SCA162561R1001 |
| 3               | 100                                      | 2.5...70                   | 100/45                          | G3         | OT100G3-3BS   | 1SCA162507R1001 |
| 4               | 100                                      | 2.5...70                   | 100/45                          | G3         | OT100G3-4BSN2 | 1SCA162513R1001 |
| 3               | 125                                      | 2.5...70                   | 125/55                          | G3         | OT125G3-3BS   | 1SCA162521R1001 |
| 4               | 125                                      | 2.5...70                   | 125/55                          | G3         | OT125G3-4BSN2 | 1SCA162526R1001 |

# OT Plus Switch disconnectors, IEC

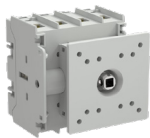
## Ordering information

### Power Distribution <415VAC

Door mounted switch disconnectors, with screw terminals. IEC60947-3. Including protected terminal clamps IP20 from front. External operating handle and shaft are not included.



OT63...100G2-3DS



OT63...100G2-4DSN2

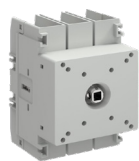
**Operational voltage: <415VAC**

| Number of poles | Open air thermal current I <sub>th</sub> | Copper cable cross section | Rated operational currents AC21A/AC22A <415VAC | Frame size | Type                        | Order code      |
|-----------------|--|----------------------------|--|------------|-----------------------------|-----------------|
|                 | A  | mm <sup>2</sup>            | A  |            |                             |                 |
| 3               | 63                                       | 1.5...35                   | 63/63  | G2         | OT63G2-3BS                  | 1SCA162548R1001 |
| 4               | 63                                       | 1.5...35                   | 63/63  | G2         | OT63G2-4BSN2                | 1SCA162559R1001 |
| 3               | 80                                       | 1.5...35                   | 80/80  | G2         | OT80G2-3BS                  | 1SCA162549R1001 |
| 4               | 80                                       | 1.5...35                   | 80/80  | G2         | OT80G2-4BSN2                | 1SCA162561R1001 |
| 3               | 100                                      | 1.5...35                   | 100/100  | G2         | OT100G2-3BS <sup>1)</sup>   | 1SCA162547R1001 |
| 4               | 100                                      | 1.5...35                   | 100/100  | G2         | OT100G2-4BSN2 <sup>1)</sup> | 1SCA162557R1001 |
| 3               | 100                                      | 2.5...70                   | 100/100  | G3         | OT100G3-3BS                 | 1SCA162507R1001 |
| 4               | 100                                      | 2.5...70                   | 100/100  | G3         | OT100G3-4BSN2               | 1SCA162513R1001 |
| 3               | 125                                      | 2.5...70                   | 125/125  | G3         | OT125G3-3BS                 | 1SCA162521R1001 |
| 4               | 125                                      | 2.5...70                   | 125/125  | G3         | OT125G3-4BSN2               | 1SCA162526R1001 |
| 3               | 160                                      | 2.5...70                   | 160/160  | G3         | OT160G3-3BS <sup>1)</sup>   | 1SCA162522R1001 |
| 4               | 160                                      | 2.5...70                   | 160/160  | G3         | OT160G3-4BSN2 <sup>1)</sup> | 1SCA162528R1001 |

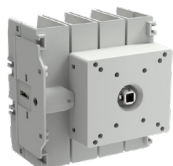
Four pole switches also available with neutral to left N1 (example OT125G3-4BSN1)  
<sup>1)</sup> Short circuit rating with fuse I<sub>q</sub> 5kA

### Motor Loads <415VAC

Door mounted switch disconnectors, with screw terminals. IEC60947-3. Including protected terminal clamps IP20 from front. External operating handle and shaft are not included.



OT100...160G3-3DS



**Operational voltage: <415VAC**

| Number of poles | Open air thermal current I <sub>th</sub> | Copper cable cross section | Max. motor output/ AC23A <415VAC | Frame size | Type          | Order code      |
|-----------------|--|----------------------------|----------------------------------|------------|---------------|-----------------|
|                 | A  | mm <sup>2</sup>            | A/kW                             |            |               |                 |
| 3               | 63                                       | 1.5...35                   | 63/30                            | G2         | OT63G2-3DS    | 1SCA162567R1001 |
| 4               | 63                                       | 1.5...35                   | 63/30                            | G2         | OT63G2-4DSN2  | 1SCA162568R1001 |
| 3               | 80                                       | 1.5...35                   | 80/37                            | G2         | OT80G2-3DS    | 1SCA162569R1001 |
| 4               | 80                                       | 1.5...35                   | 80/37                            | G2         | OT80G2-4DSN2  | 1SCA162570R1001 |
| 3               | 100                                      | 2.5...70                   | 100/45                           | G3         | OT100G3-3DS   | 1SCA162515R1001 |
| 4               | 100                                      | 2.5...70                   | 100/45                           | G3         | OT100G3-4DSN2 | 1SCA162518R1001 |
| 3               | 125                                      | 2.5...70                   | 125/55                           | G3         | OT125G3-3DS   | 1SCA162531R1001 |
| 4               | 125                                      | 2.5...70                   | 125/55                           | G3         | OT125G3-4DSN2 | 1SCA162535R1001 |

## OT Plus Switch disconnectors, IEC

### Ordering information

#### Power Distribution and Motor Loads 690VAC and 800VAC

Front operated switch disconnectors, base and DIN-rail mounting with screw terminals. IEC60947-3. Including padlockable direct mounted handle, and protected terminal clamps IP20 from front. External operating handle and shaft are not included.



OT63...80G2-3BS



OT63...125G3-3BS



OT63...125G3-4BSN2

#### Power Distribution and Motor Loads

Operational voltage: 690VAC

| Number of poles | Open air thermal current I <sub>th</sub> | Copper cable cross section | Rated operational currents AC22A/AC23A 690VAC | Frame size | Type          | Order code      |
|-----------------|--|----------------------------|---|------------|---------------|-----------------|
|                 |  |                            |   |            |               |                 |
| 3               | 63                                       | 1.5...35                   | 63/32   | G2         | OT63G2-3BS    | 1SCA162548R1001 |
| 4               | 63                                       | 1.5...35                   | 63/32   | G2         | OT63G2-4BSN2  | 1SCA162559R1001 |
| 3               | 80                                       | 1.5...35                   | 80/40   | G2         | OT80G2-3BS    | 1SCA162549R1001 |
| 4               | 80                                       | 1.5...35                   | 80/40   | G2         | OT80G2-4BSN2  | 1SCA162561R1001 |
| 3               | 63                                       | 2.5...70                   | 63/50   | G3         | OT63G3-3BS    | 1SCA162508R1001 |
| 4               | 63                                       | 2.5...70                   | 63/50   | G3         | OT63G3-4BSN2  | 1SCA162571R1001 |
| 3               | 80                                       | 2.5...70                   | 80/50   | G3         | OT80G3-3BS    | 1SCA162509R1001 |
| 4               | 80                                       | 2.5...70                   | 80/50   | G3         | OT80G3-4BSN2  | 1SCA162572R1001 |
| 3               | 100                                      | 2.5...70                   | 100/63  | G3         | OT100G3-3BS   | 1SCA162507R1001 |
| 4               | 100                                      | 2.5...70                   | 100/63  | G3         | OT100G3-4BSN2 | 1SCA162507R1001 |
| 3               | 125                                      | 2.5...70                   | 125/63  | G3         | OT125G3-3BS   | 1SCA162521R1001 |
| 4               | 125                                      | 2.5...70                   | 125/63  | G3         | OT125G3-4BSN2 | 1SCA162526R1001 |

#### Operational voltage: <415VAC

| Number of poles | Open air thermal current I <sub>th</sub> | Copper cable cross section) | Max. motor output/ AC23A <415VAC | Frame size | Type          | Order code      | MOQ |
|-----------------|--|-----------------------------|----------------------------------|------------|---------------|-----------------|-----|
|                 |  |                             |                                  |            |               |                 |     |
| 3               | 63                                       | 1.5...35                    | 63/30                            | G2         | OT63G2-3BS    | 1SCA162548R1001 | 10  |
| 4               | 63                                       | 1.5...35                    | 63/30                            | G2         | OT63G2-4BSN2  | 1SCA162559R1001 | 10  |
| 3               | 80                                       | 1.5...35                    | 80/37                            | G2         | OT80G2-3BS    | 1SCA162549R1001 | 10  |
| 4               | 80                                       | 1.5...35                    | 80/37                            | G2         | OT80G2-4BSN2  | 1SCA162561R1001 | 10  |
| 3               | 100                                      | 2.5...70                    | 100/45                           | G3         | OT100G3-3BS   | 1SCA162507R1001 | 10  |
| 4               | 100                                      | 2.5...70                    | 100/45                           | G3         | OT100G3-4BSN2 | 1SCA162513R1001 | 10  |
| 3               | 125                                      | 2.5...70                    | 125/55                           | G3         | OT125G3-3BS   | 1SCA162521R1001 | 10  |
| 4               | 125                                      | 2.5...70                    | 125/55                           | G3         | OT125G3-4BSN2 | 1SCA162526R1001 | 10  |

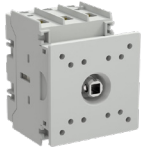


# OT Plus Switch disconnectors, IEC

## Ordering information

### Power Distribution and Motor Loads 690VAC

Door mounted switch disconnectors, with screw terminals. IEC60947-3. Including protected terminal clamps IP20 from front. External operating handle and shaft are not included.



OT63...80G2-3DS



OT100...125G3-3DS

#### Operational voltage: 690VAC

| Number of poles | Open air thermal current I <sub>th</sub> | Copper cable cross section | Rated operational currents AC22A/AC23A 690VAC | Frame size | Type          | Order code      |
|-----------------|--|----------------------------|---|------------|---------------|-----------------|
|                 | A  | mm <sup>2</sup>            | A   |            |               |                 |
| 3               | 63                                       | 1.5...35                   | 63/32   | G2         | OT63G2-3DS    | 1SCA162567R1001 |
| 4               | 63                                       | 1.5...35                   | 63/32   | G2         | OT63G2-4DSN2  | 1SCA162568R1001 |
| 3               | 80                                       | 1.5...35                   | 80/40   | G2         | OT80G2-3DS    | 1SCA162569R1001 |
| 4               | 80                                       | 1.5...35                   | 80/40   | G2         | OT80G2-4DSN2  | 1SCA162570R1001 |
| 3               | 100                                      | 2.5...70                   | 100/63  | G3         | OT100G3-3DS   | 1SCA162515R1001 |
| 4               | 100                                      | 2.5...70                   | 100/63  | G3         | OT100G3-4DSN2 | 1SCA162518R1001 |
| 3               | 125                                      | 2.5...70                   | 125/63  | G3         | OT125G3-3DS   | 1SCA162531R1001 |
| 4               | 125                                      | 2.5...70                   | 125/63  | G3         | OT125G3-4DSN2 | 1SCA162535R1001 |

## OT Plus Switch disconnectors, UL

### Ordering information

#### UL60947-4-1 and UL98

Front operated switch disconnectors, base and DIN-rail mounting with screw terminals. Including padlockable direct mounted handle, and protected terminal clamps IP20 from front. External operating handle and shaft are not included.



OT63...80G2-3BS

#### UL60947-4-1 – Operational voltage: <600VAC

| Number of poles | General purpose amp rating | Copper wire range | Horsepower rating 3-phase |        |        | Frame size | Type         | Order code      |
|-----------------|----------------------------|-------------------|---------------------------|--------|--------|------------|--------------|-----------------|
|                 |                            |                   | 240VAC                    | 480VAC | 600VAC |            |              |                 |
|                 |                            |                   | A                         | AWG    | HP     |            |              |                 |
| 3               | 63                         | 16...2            | 15                        | 30     | 30     | G2         | OT63G2-3BS   | 1SCA162548R1001 |
| 4               | 63                         | 16...2            | 15                        | 30     | 30     | G2         | OT63G2-4BSN2 | 1SCA162559R1001 |
| 3               | 80                         | 16...2            | 20                        | 40     | 40     | G2         | OT80G2-3BS   | 1SCA162549R1001 |
| 4               | 80                         | 16...2            | 20                        | 40     | 40     | G2         | OT80G2-4BSN2 | 1SCA162561R1001 |



OT63...80G2-4BSN2

#### UL98 – Operational voltage: <600VAC

| Number of poles | General purpose amp rating | Copper wire range | Horsepower rating 3-phase |        |        | Frame size | Type          | Order code      |
|-----------------|----------------------------|-------------------|---------------------------|--------|--------|------------|---------------|-----------------|
|                 |                            |                   | 240VAC                    | 480VAC | 600VAC |            |               |                 |
|                 |                            |                   | A                         | AWG    | HP     |            |               |                 |
| 3               | 30                         | 12...2/0          | 10                        | 20     | 30     | G3         | OT30G3-3BS    | 1SCA162539R1001 |
| 4               | 30                         | 12...2/0          | 10                        | 20     | 30     | G3         | OT30G3-4BSN2  | 1SCA162545R1001 |
| 3               | 60                         | 12...2/0          | 20                        | 40     | 50     | G3         | OT60G3-3BS    | 1SCA162540R1001 |
| 4               | 60                         | 12...2/0          | 20                        | 40     | 50     | G3         | OT60G3-4BSN2  | 1SCA162546R1001 |
| 3               | 100                        | 12...2/0          | 30                        | 50     | 60     | G3         | OT100G3-3BS   | 1SCA162507R1001 |
| 4               | 100                        | 12...2/0          | 30                        | 50     | 60     | G3         | OT100G3-4BSN2 | 1SCA162513R1001 |



OT30...100G3-3BS



OT30...100G3-4BSN2

# OT Plus Switch disconnectors, UL

## Ordering information

### UL60947-4-1 and UL98

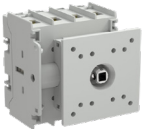
Door mounted switch disconnectors, with screw terminals. Including finger proof protected terminal clamps from front. External operating handle and shaft are not included.



#### UL60947-4-1 – Operational voltage: <600VAC

| Number of poles | General purpose amp rating | Copper wire range | Horsepower rating 3-phase |        |        | Frame size | Type         | Order code      |
|-----------------|----------------------------|-------------------|---------------------------|--------|--------|------------|--------------|-----------------|
|                 |                            |                   | 240VAC                    | 480VAC | 600VAC |            |              |                 |
|                 |                            |                   | A                         | AWG    | HP     |            |              |                 |
| 3               | 63                         | 14...4            | 15                        | 30     | 30     | G2         | OT63G2-3DS   | 1SCA162567R1001 |
| 4               | 63                         | 14...4            | 15                        | 30     | 30     | G2         | OT63G2-4DSN2 | 1SCA162568R1001 |
| 3               | 80                         | 14...4            | 20                        | 40     | 40     | G2         | OT80G2-3DS   | 1SCA162569R1001 |
| 4               | 80                         | 14...4            | 20                        | 40     | 40     | G2         | OT80G2-4DSN2 | 1SCA162570R1001 |

OT63...80G2-4DSN2



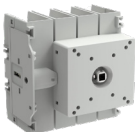
#### UL98 – Operational voltage: <600VAC

| Number of poles | General purpose amp rating | Copper wire range | Horsepower rating 3-phase |        |        | Frame size | Type          | Order code      |
|-----------------|----------------------------|-------------------|---------------------------|--------|--------|------------|---------------|-----------------|
|                 |                            |                   | 240VAC                    | 480VAC | 600VAC |            |               |                 |
|                 |                            |                   | A                         | AWG    | HP     |            |               |                 |
| 3               | 30                         | 12...2/0          | 10                        | 20     | 30     | G3         | OT30G3-3DS    | 1SCA162533R1001 |
| 4               | 30                         | 12...2/0          | 10                        | 20     | 30     | G3         | OT30G3-4DSN2  | 1SCA162537R1001 |
| 3               | 60                         | 12...2/0          | 20                        | 40     | 50     | G3         | OT60G3-3DS    | 1SCA162534R1001 |
| 4               | 60                         | 12...2/0          | 20                        | 40     | 50     | G3         | OT60G3-4DSN2  | 1SCA162538R1001 |
| 3               | 100                        | 12...2/0          | 30                        | 50     | 60     | G3         | OT100G3-3DS   | 1SCA162515R1001 |
| 4               | 100                        | 12...2/0          | 30                        | 50     | 60     | G3         | OT100G3-4DSN2 | 1SCA162518R1001 |

OT30...100G3-3DS



OT30...100G3-4DSN2



---

# Dimensional drawings

---

**53** OT63...100G2-3BS

---

**54** OT63...100G2-4BSN2

---

**55** OT63...100G2-3DS

---

**56** OT63...100G2-4DSN2

---

**57** OT30...160G3-3BS

---

**58** OT30...160G3-4BSN2

---

**59** OT30...160G3-3DS

---

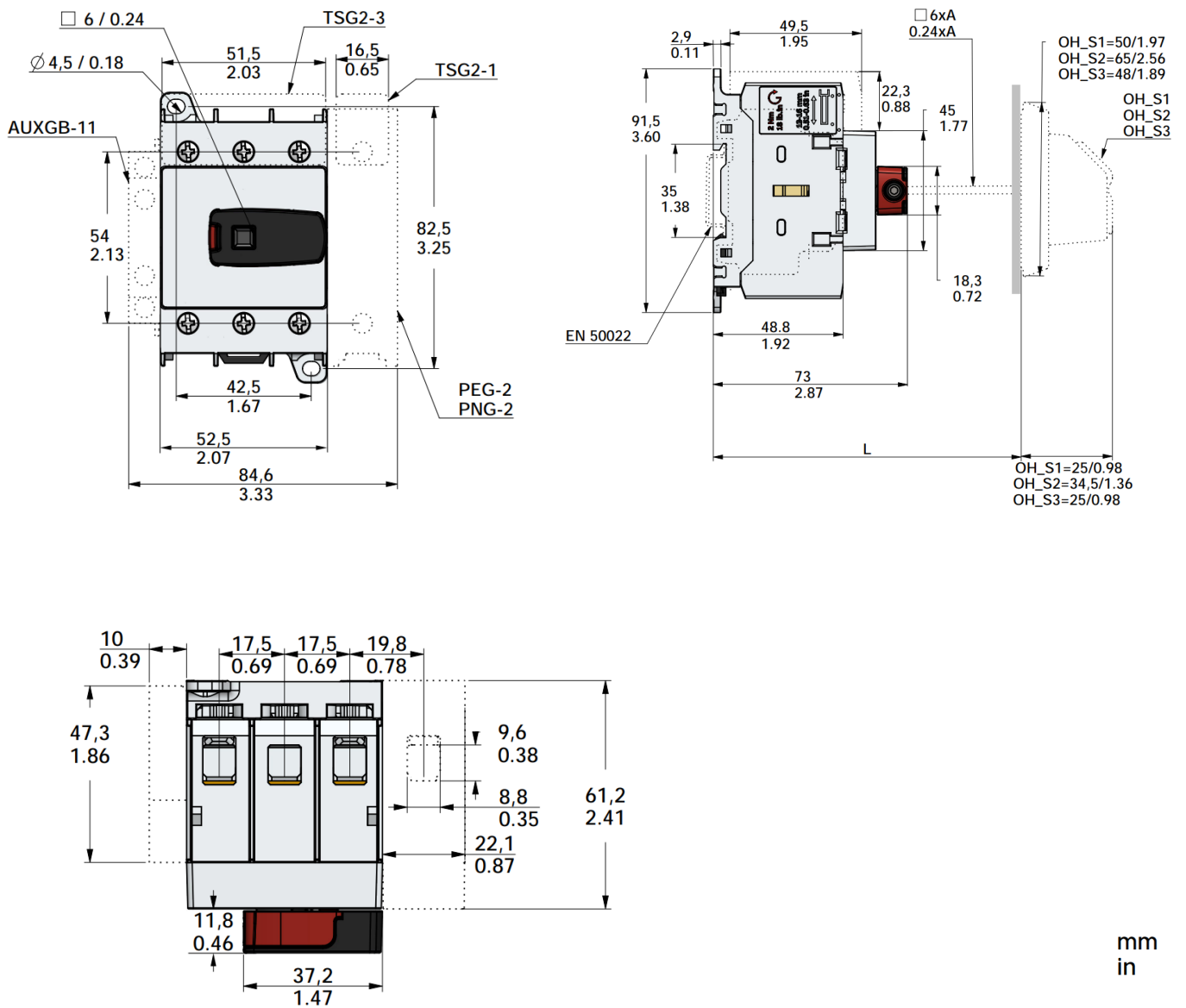
**60** OT30...160G3-4DSN2

# Manual Switch disconnectors OT Plus

## Dimension drawings

Front operated switch disconnectors, base and DIN-rail mounting IEC and UL/CSA

### OT63...100G2-3BS

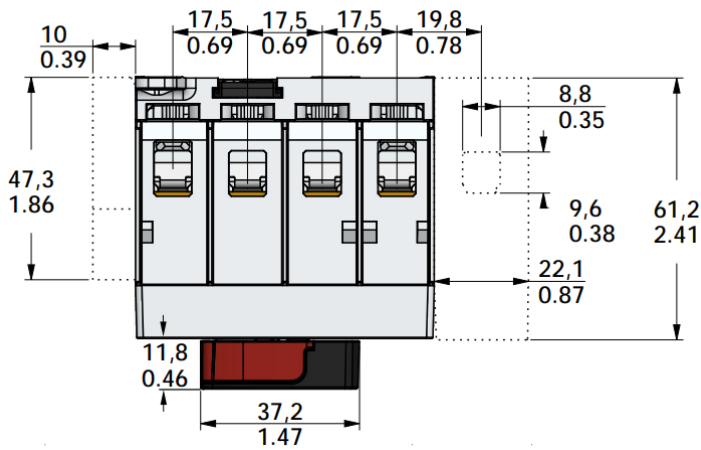
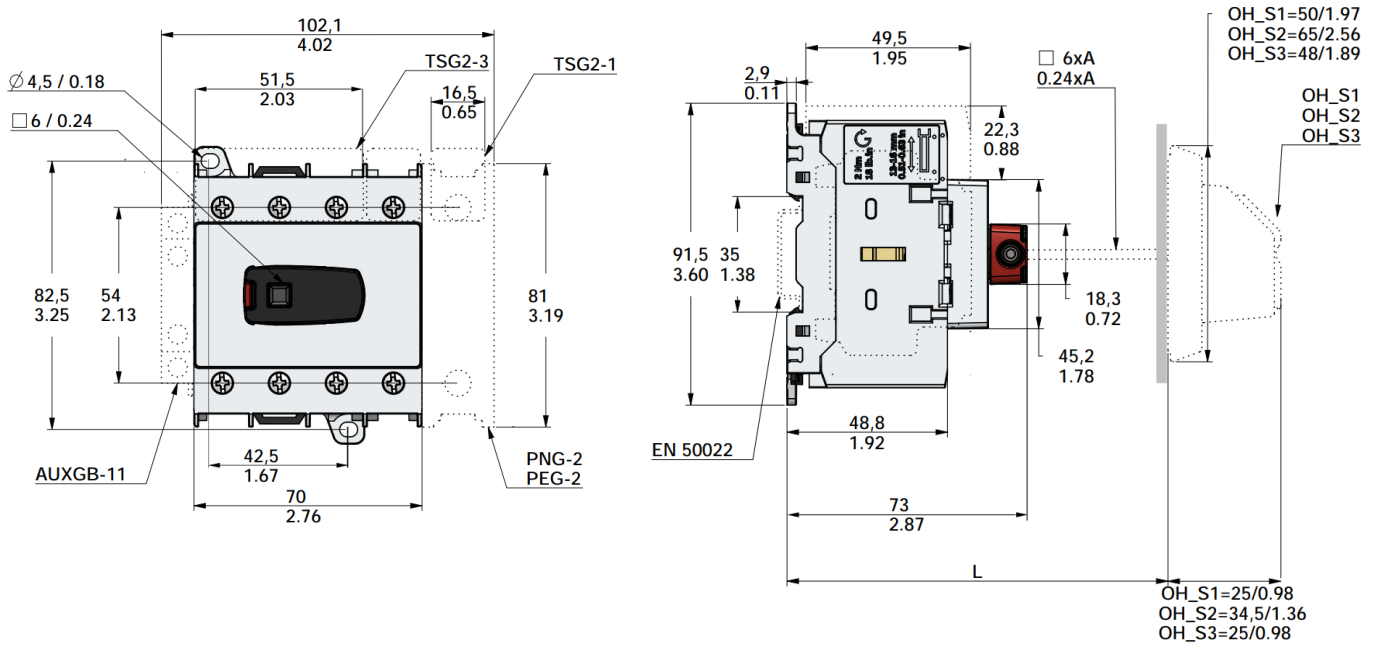


# Manual switch disconnectors OT Plus

## Dimension drawings

Front operated switch disconnectors, base and DIN-rail mounting IEC and UL/CSA

### OT63...100G2-4BSN2



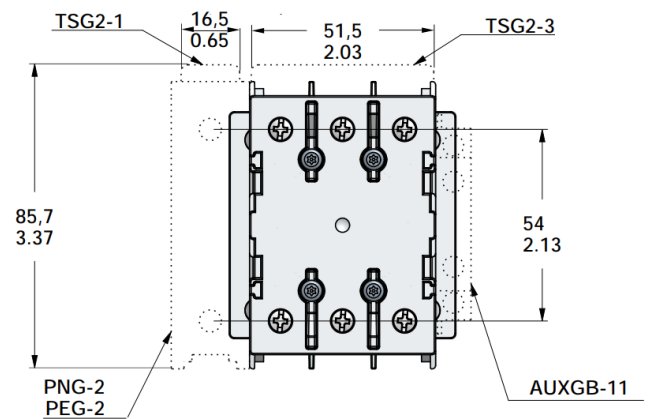
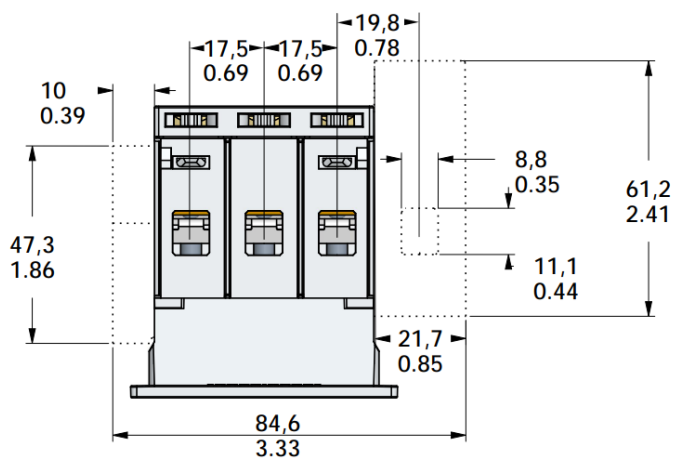
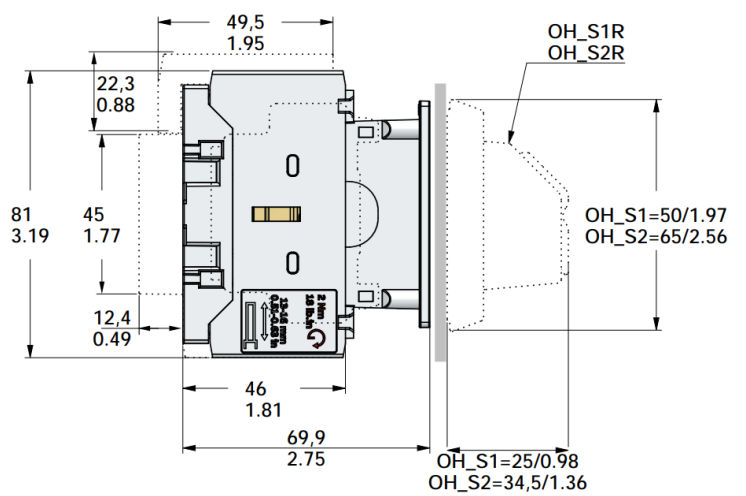
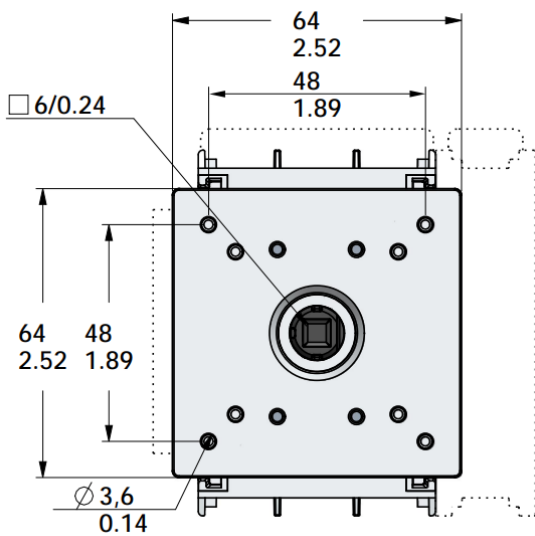
mm  
in

# Manual switch disconnectors OT Plus

## Dimension drawings

Door mounted switch disconnectors, base and DIN-rail mounting IEC and UL/CSA

OT63...100G2-3DS



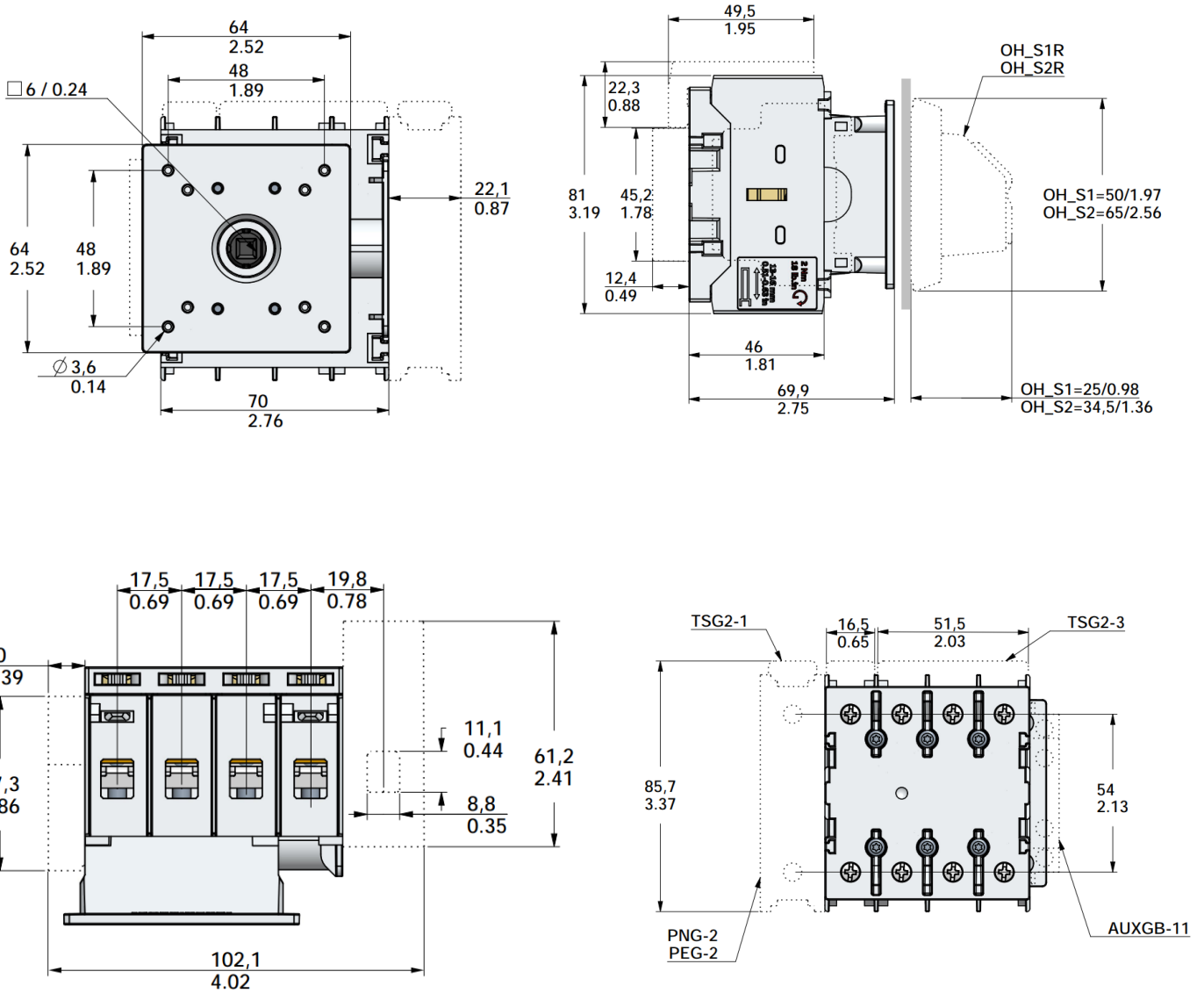
mm  
in

# Manual switch disconnectors OT Plus

## Dimension drawings

Front operated switch disconnectors, base and DIN-rail mounting IEC and UL/CSA

OT63...100G2-4DSN2



mm  
in

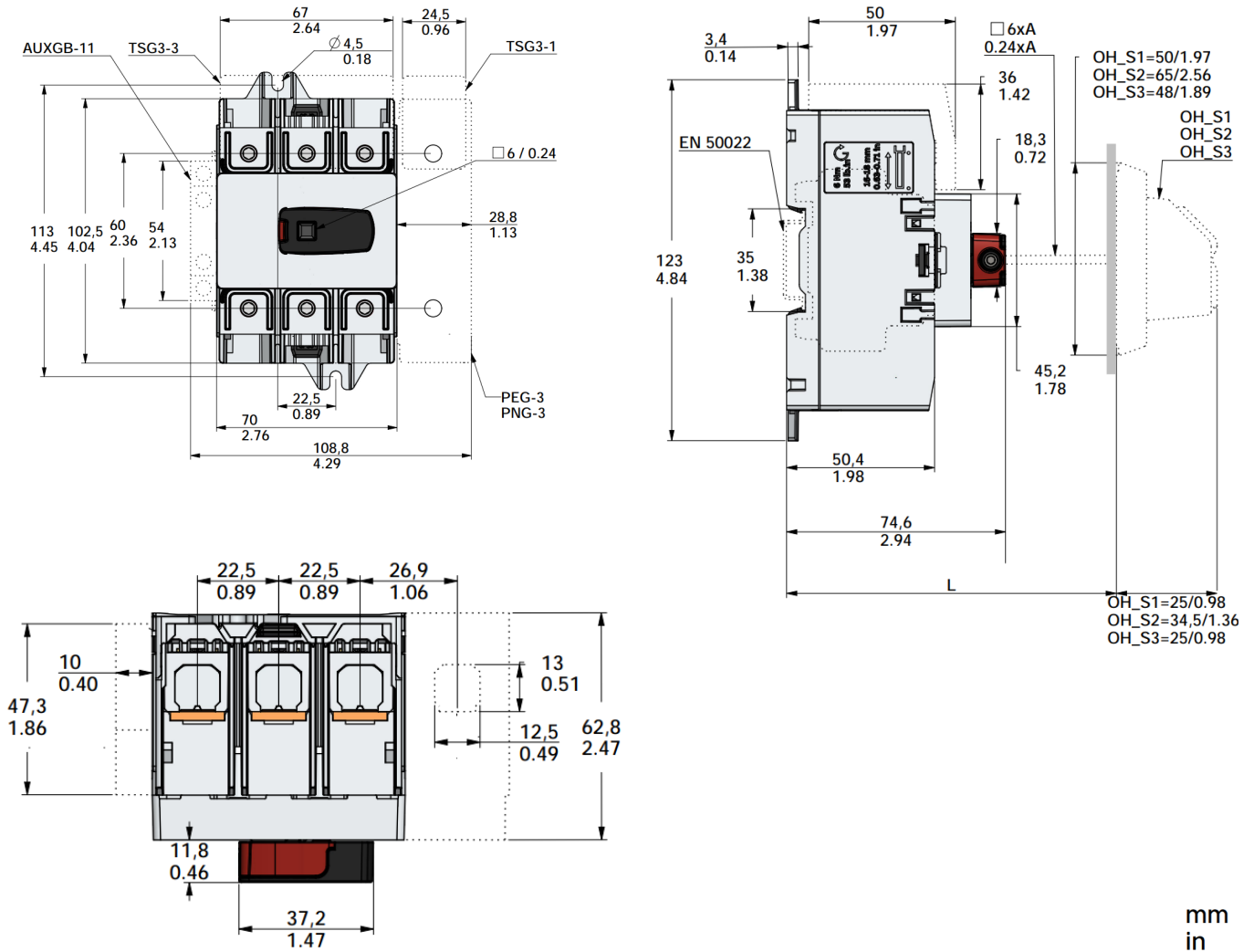


# Manual switch disconnectors OT Plus

## Dimension drawings

Front operated switch disconnectors, base and DIN-rail mounting IEC and UL/CSA

OT30...160G3-3BS

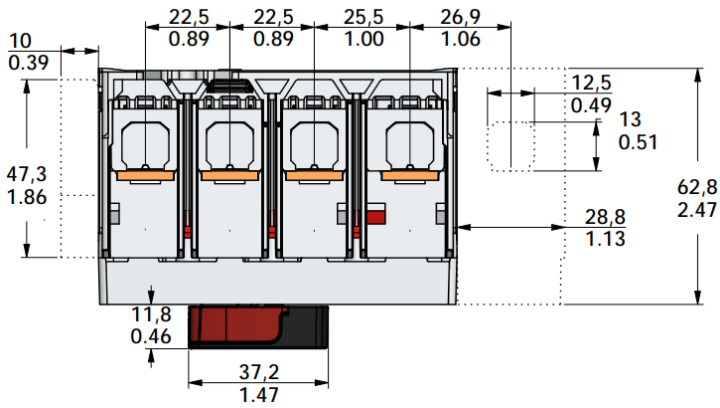
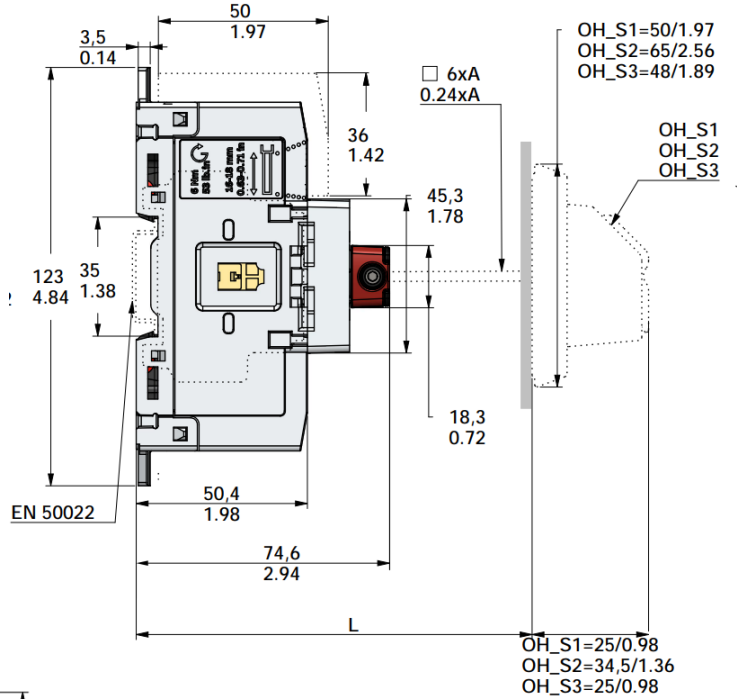
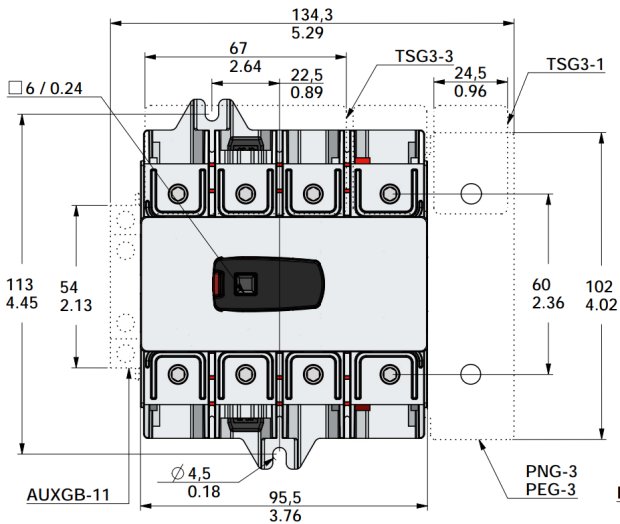


# Manual switch disconnectors OT Plus

## Dimension drawings

Front operated switch disconnectors, base and DIN-rail mounting IEC and UL/CSA

OT30...160G3-4BSN2



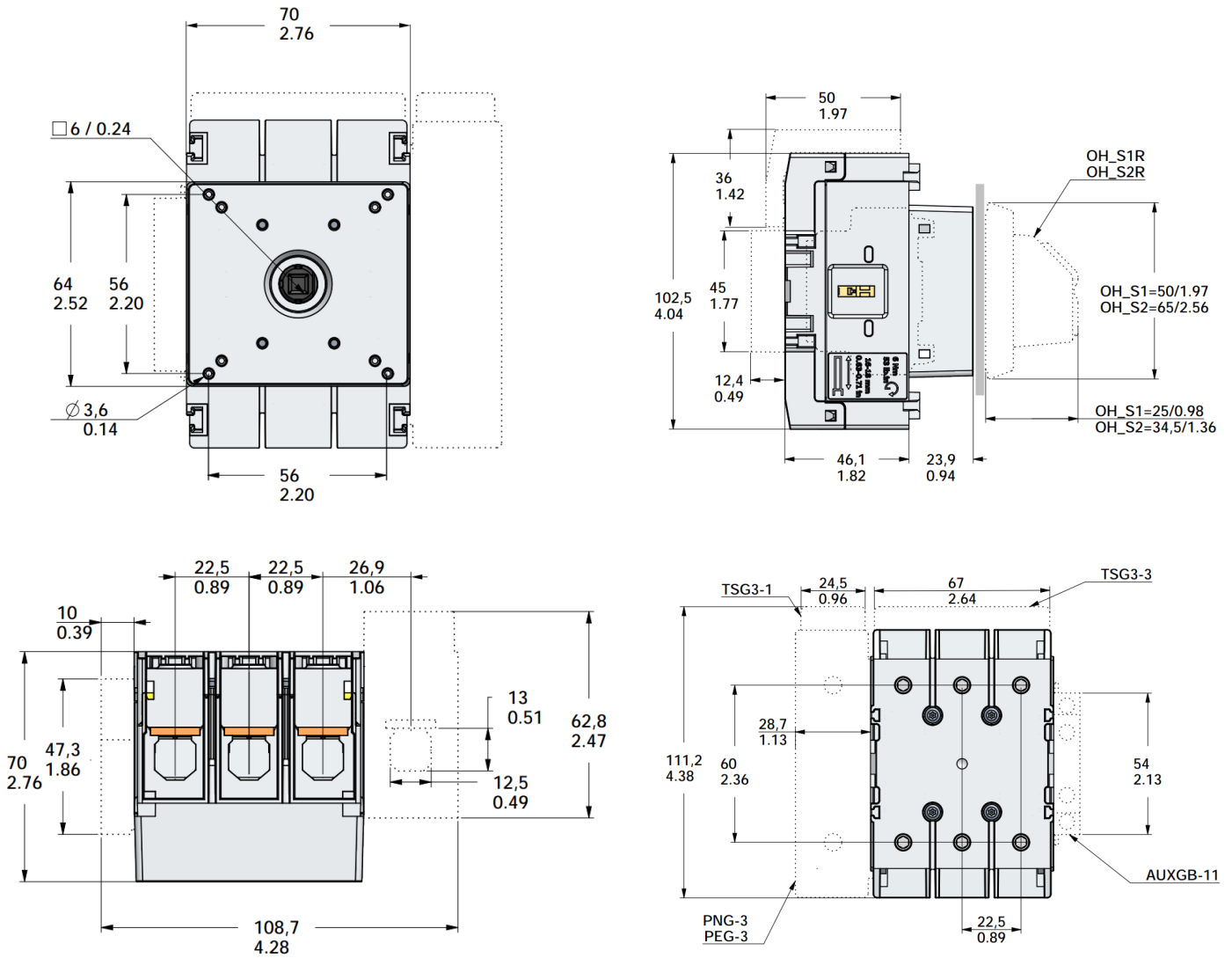
mm  
in

# Manual switch disconnectors OT Plus

## Dimension drawings

Door mounted switch disconnectors, base and DIN-rail mounting IEC and UL/CSA

OT30...160G3-3DS



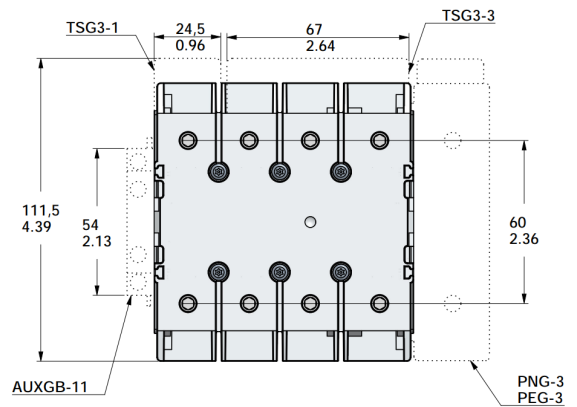
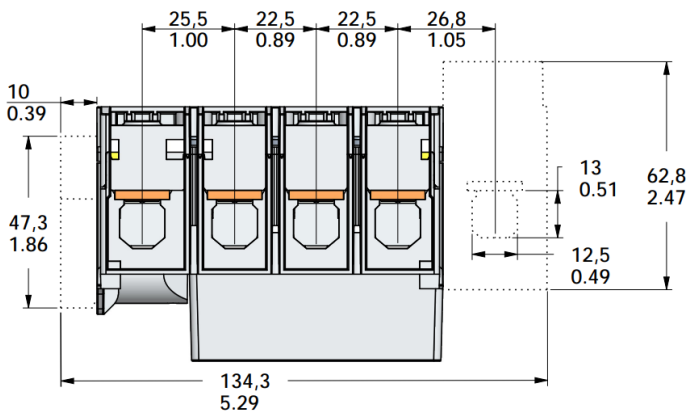
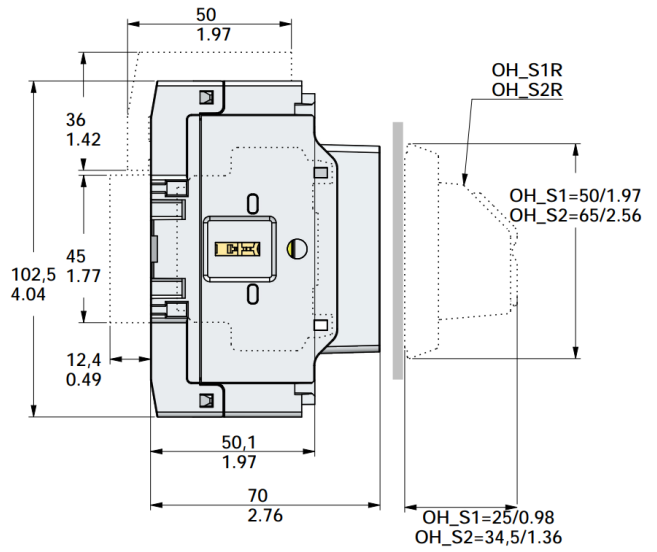
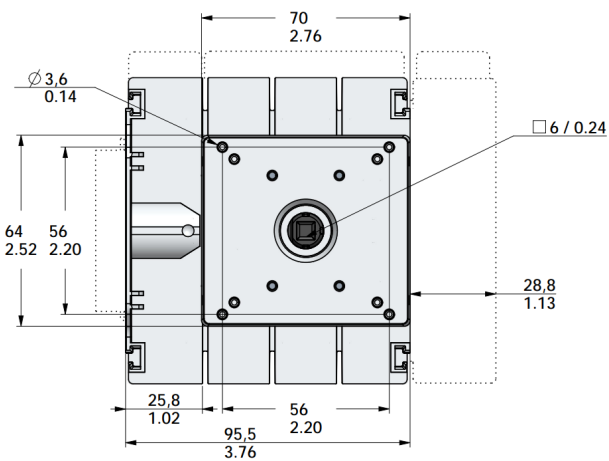
mm  
in

# Manual switch disconnectors OT Plus

## Dimension drawings

Door mounted switch disconnectors, base and DIN-rail mounting IEC and UL/CSA

OT30...160G3-4DSN2



mm  
in

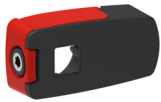


## Accessories for OT Plus

### Ordering information

#### Handle knobs for base and DIN-rail mounted switches

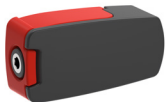
Handle mounted directly on the switch.



OHB-G3



OHR-G3



OHB-G3M



OHR-G3M

#### Possible to be used together with shaft, included in standard delivery

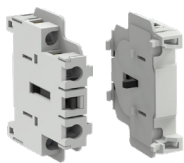
| Suitable for switches                    | Frame size | Padlocking | Colour | Type   | Order code      | MOQ |
|--|------------|------------|--------|--------|-----------------|-----|
| OT63G2-...OT100G2-<br>OT30G3-...OT160G3- | G2<br>G3   | Yes        | Black  | OHB-G3 | 1SCA022145R1001 | 10  |
| OT63G2-...OT100G2-<br>OT30G3-...OT160G3- | G2<br>G3   | Yes        | Red    | OHR-G3 | 1SCA162599R1001 | 10  |

#### Not possible to be used together with shaft

| Suitable for switches                    | Frame size | Padlocking | Colour | Type    | Order code      | MOQ |
|--|------------|------------|--------|---------|-----------------|-----|
| OT63G2-...OT100G2-<br>OT30G3-...OT160G3- | G2<br>G3   | Yes        | Black  | OHB-G3M | 1SCA162791R1001 | 10  |
| OT63G2-...OT100G2-<br>OT30G3-...OT160G3- | G2<br>G3   | Yes        | Red    | OHR-G3M | 1SCA162789R1001 | 10  |

#### Auxiliary contacts for OT Plus switch disconnectors OT63G2...160G3\_

Snap-on mounting to the side of the switch. Mountable on both sides of the switch. Max. 2+2 contacts blocks (4NO + 4NC). All NO auxiliary contacts have early break function in any mountable position (NO auxiliary contact opens >20ms before main contacts). Contact numbering according to EN50013 included. I<sub>th</sub> = 16 A, cable cross section max. 2x2.5 mm<sup>2</sup>.



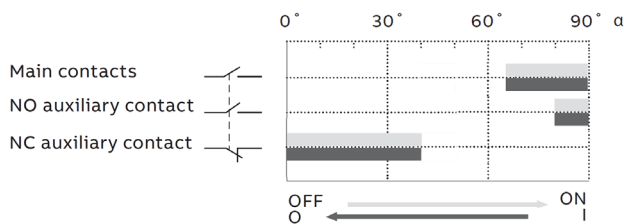
AUXGB-11  
AUXGD-11



AUXGM3-11

| Suitable for switches                          | Frame size | Mounting          | Function  | Type      | Order code      | MOQ |
|--|------------|-------------------|-----------|-----------|-----------------|-----|
| OT63G2-...OT100G2-_BS<br>OT30G3-...OT160G3-_BS | G2<br>G3   | DIN and Base      | 1NO + 1NC | AUXGB-11  | 1SCA162594R1001 | 10  |
| OT63G2-...OT100G2-_DS<br>OT30G3-...OT160G3-_DS | G2<br>G3   | Door              | 1NO + 1NC | AUXGD-11  | 1SCA162595R1001 | 10  |
| OT63G2-...OT100G2-_DS<br>OT30G3-...OT160G3-_DS | G2<br>G3   | Incl. DIN adapter | 1NO + 1NC | AUXGM3-11 | 1SCA162790R1001 | 10  |

#### ON and OFF-function of main and auxiliary contacts OT63G2...100G2 and OT30G3...160G3



## Accessories for OT Plus

### Ordering information

#### Additional pole for base, DIN-rail and door mounted switches

Mountable on both sides of the switch. Suitable for both base and door mounted switches.



PNG2

#### Fixed neutral pole

| Suitable for switches | Frame size | Marking | Type | Order code      | MOQ |
|-----------------------|------------|---------|------|-----------------|-----|
| OT63G2-...OT100G2-    | G2         | N       | PNG2 | 1SCA162602R1001 | 10  |
| OT30G3-...OT160G3-    | G3         | N       | PNG3 | 1SCA162603R1001 | 10  |



PEG3

#### Protective earth pole

| Suitable for switches | Frame size | Marking | Type | Order code      | MOQ |
|-----------------------|------------|---------|------|-----------------|-----|
| OT63G2-...OT100G2-    | G2         | PE      | PEG2 | 1SCA162600R1001 | 10  |
| OT30G3-...OT160G3-    | G3         | PE      | PEG3 | 1SCA162601R1001 | 10  |

#### Terminal shrouds for base, DIN-rail and door mounted switches

Snap-on mounting, mountable on both sides of the switch. Suitable for both base and door mounted switches. IP2X from front.



TSG3-1



TSG3-3

| Suitable for switches | Frame size | Colour      | Poles | Type   | Order code      | MOQ |
|-----------------------|------------|-------------|-------|--------|-----------------|-----|
| OT63G2-...OT100G2-    | G2         | Transparent | 1     | TSG2-1 | 1SCA162604R1001 | 10  |
| OT63G2-...OT100G2-    | G2         | Transparent | 3     | TSG2-3 | 1SCA162605R1001 | 10  |
| OT30G3-...OT160G3-    | G3         | Transparent | 1     | TSG3-1 | 1SCA162606R1001 | 10  |
| OT30G3-...OT160G3-    | G3         | Transparent | 3     | TSG3-3 | 1SCA162607R1001 | 10  |

#### Retrofit adapter plate for base mounted OT30G3\_...160G3\_

Possible to use existing screw mounting holes of OT30...125F\_ series switch disconnectors.



RFB-G3

| Suitable for switches | Frame size | Retrofit adapter for         | Type   | Order code      |
|-----------------------|------------|------------------------------|--------|-----------------|
| OT30G3-...OT160G3-BS  | G3         | OT30...60F_<br>OT100...125F_ | RFB-G3 | 1SCA163120R1001 |

## Accessories for manual switch-disconnectors OT16...160

Ordering information for handle knobs



OHBS1



OHRS2



OHBS3



OHRS3



OHRS9



OHBS11



OHBS12



OHBS16

### Handle knobs for base and DIN-rail mounted switches

Mounting directly to the switch, no shaft needed. Packing includes 10pcs.

| Type                   | Order code      | Colour | Handle length | Weight/ unit |
|------------------------|-----------------|--------|---------------|--------------|
|                        |                 |        | mm            | kg           |
| OHBS1                  | 1SCA109087R1001 | Black  | 31            | 0.01         |
| OHBS1/1 <sup>1)</sup>  | 1SCA109088R1001 | Black  | 31            | 0.01         |
| OHBS2                  | 1SCA109089R1001 | Black  | 40            | 0.01         |
| OHBS2/1 <sup>1)</sup>  | 1SCA109090R1001 | Black  | 40            | 0.01         |
| OHBS3                  | 1SCA108320R1001 | Black  | 39            | 0.01         |
| OHBS3/1 <sup>1)</sup>  | 1SCA108319R1001 | Black  | 39            | 0.01         |
| OHBS9                  | 1SCA108665R1001 | Black  | 72            | 0.01         |
| OHBS9/1 <sup>1)</sup>  | 1SCA108689R1001 | Black  | 72            | 0.01         |
| OHBS11                 | 1SCA109092R1001 | Black  | 57            | 0.01         |
| OHBS12                 | 1SCA108252R1001 | Black  | 37            | 0.01         |
| OHBS13                 | 1SCA112046R1001 | Black  | 72            | 0.019        |
| OHBS13/1 <sup>1)</sup> | 1SCA112047R1001 | Black  | 72            | 0.019        |
| OHBS14                 | 1SCA152488R1001 | Black  | 40            | 0.01         |
| OHBS16                 | 1SCA149863R1001 | Black  | 74            | 0.01         |
| OHR1                   | 1SCA109095R1001 | Red    | 31            | 0.01         |
| OHR1/1 <sup>1)</sup>   | 1SCA109096R1001 | Red    | 31            | 0.01         |
| OHR2                   | 1SCA108598R1001 | Red    | 40            | 0.01         |
| OHR2/1 <sup>1)</sup>   | 1SCA108599R1001 | Red    | 40            | 0.01         |
| OHR3                   | 1SCA108667R1001 | Red    | 39            | 0.01         |
| OHR3/1 <sup>1)</sup>   | 1SCA108688R1001 | Red    | 39            | 0.01         |
| OHR9                   | 1SCA108666R1001 | Red    | 72            | 0.01         |
| OHR9/1 <sup>1)</sup>   | 1SCA108690R1001 | Red    | 72            | 0.01         |
| OHR12                  | 1SCA108253R1001 | Red    | 37            | 0.01         |
| YAST1                  | 1SCA022301R5350 | Black  | 72            | 0.023        |

<sup>1)</sup> delivery batch 1pc

### Direct handles for OT16F...125F\_ and OT160G\_

|                        |                    | Knob non-padlockable       | Knob padlockable         | Knob shaft through non-padlockable | Knob shaft through padlockable |
|------------------------|--------------------|----------------------------|--------------------------|------------------------------------|--------------------------------|
| Switches 3- and 4-pole | OT16...40F3/F4     | OHBS1, OHR1<br>OHBS3, OHR3 | OHBS7 (3P)<br>OHBS8 (4P) | Standard knob                      | OHBS12, OHR12                  |
|                        | OT63...80F3/F4     | OHBS1, OHR1<br>OHBS3, OHR3 | OHBS2, OHR2              | Standard knob                      | OHBS14                         |
|                        | OT100...125F3/F4   | OHBS3, OHR3                | OHBS2, OHR2              | Standard knob                      | OHBS11 <sup>1)</sup> , OHBS14  |
|                        | OT30...60F3/F4     | OHBS3, OHR3                | OHBS2, OHR2              | Standard knob                      | OHBS11 <sup>1)</sup> , OHBS14  |
|                        | OT160G3/4          | YAST1                      |                          | OHBS13, OHR13                      | OHBS16 <sup>1)</sup>           |
| Switches 6- and 8-pole | OT16...40F6/F8     | OHBS3, OHR3                |                          | Standard knob                      | OHBS12, OHR12                  |
|                        | OT63...80F6/F8     | OHBS9, OHR9                |                          |                                    | OHBS12, OHR12                  |
|                        | OT100...125F6/F8   | OHBS9, OHR9                |                          |                                    | OHBS11 <sup>1)</sup>           |
|                        | OT30...60F6/F8     | OHBS9, OHR9                |                          |                                    | OHBS11 <sup>1)</sup>           |
| Change-over switches   | OT16...40F3C/F4C   | OHBS3, OHR3                | OHBS2, OHR2              | Standard knob                      | OHBS12, OHR12                  |
|                        | OT63...80F3C/F4C   | OHBS3, OHR3                |                          |                                    | OHBS12, OHR12                  |
|                        | OT100...125F3C/F4C | OHBS9, OHR9                |                          |                                    | OHBS11 <sup>1)</sup>           |

<sup>1)</sup> Suitable for 3 padlocks with bail diameter 5mm



## Accessories for manual switch-disconnectors OT16...160

### Ordering information for handles



OHYS7



OHBS8



OHBS3AH



OHYS3AH



OHBS2AJ



OHYS2AJ



OHBS2AJ\_EH

#### Adapter handles, for base and DIN-rail mounted installation switches

Mounting directly to the switch, no shaft needed.

| Suitable for switches | Colour | Type  | Order code      | Weight/<br>unit<br>kg |
|-----------------------|--------|-------|-----------------|-----------------------|
| OT16...40F3           | Black  | OHBS7 | 1SCA108546R1001 | 0.08                  |
| OT16...40F4           | Black  | OHBS8 | 1SCA108545R1001 | 0.08                  |
| OT16...40F3           | Red    | OHYS7 | 1SCA109852R1001 | 0.08                  |
| OT16...40F4           | Red    | OHYS8 | 1SCA109862R1001 | 0.08                  |

| Handle type   | Shaft through the handle | 45 mm cut-out enable* |
|---------------|--------------------------|-----------------------|
| OHBS7_, OHS7_ | No                       | Yes                   |
| OHBS8_, OHS8_ | No                       | Yes                   |

\* in I-position the handle shall remain within the cut-out height

#### Selector handles for base and DIN-rail mounted switches

For shaft diameter 6 mm, door drilling 22.5 mm. Indication I-O and ON-OFF.

| Suitable for switches  | Colour     | Type     | Order code      | Weight/<br>unit<br>kg |
|--|------------|----------|-----------------|-----------------------|
| <b>IP54 handles, NEMA 1</b>  |            |          |                 |                       |
| OT16...80F, OT63...100G2-BS  | Black      | OHBS1AH  | 1SCA102680R1001 | 0.05                  |
|  | Red-yellow | OHYS1AH  | 1SCA105290R1001 | 0.05                  |
| <b>Door interlock in ON-position</b>   |            |          |                 |                       |
| OT16...80F, OT63...100G2-BS  | Black      | OHBS1AH1 | 1SCA105210R1001 | 0.05                  |
|  | Red-yellow | OHYS1AH1 | 1SCA105291R1001 | 0.05                  |
| <b>Padlockable with one padlock with bail diameter 5...6.3 mm</b>  |            |          |                 |                       |
| OT16...125F, OT63...100G2-BS,<br>OT30...160G3-BS   | Black      | OHBS3AH  | 1SCA105234R1001 | 0.05                  |
|  | Red-yellow | OHYS3AH  | 1SCA105325R1001 | 0.05                  |
| <b>Padlockable with one padlock with bail diameter 5...6.3 mm, door interlock in ON-position</b>   |            |          |                 |                       |
| OT16...125F, OT63...100G2-BS,<br>OT30...160G3-BS   | Black      | OHBS3AH1 | 1SCA105235R1001 | 0.05                  |
|  | Red-yellow | OHYS3AH1 | 1SCA105326R1001 | 0.05                  |
| <b>IP65 handles, NEMA 1, 3R, 12</b>  |            |          |                 |                       |
| Padlockable with max. 3 padlocks with bail diameter 5...8 mm, defeatable door interlock in ON-position, door interlocking in OFF-position when padlocked |            |          |                 |                       |
| OT16...125F, OT63...100G2-BS,<br>OT30...160G3-BS   | Black      | OHBS2AJ  | 1SCA105213R1001 | 0.07                  |
|  | Red-yellow | OHYS2AJ  | 1SCA105296R1001 | 0.07                  |
| <b>Padlockable with max. 3 padlocks with bail diameter 5...8 mm, door interlock in ON-position</b>   |            |          |                 |                       |
| OT16...125F, OT63...100G2-BS,<br>OT30...160G3-BS   | Black      | OHBS2AJ1 | 1SCA105215R1001 | 0.07                  |
|  | Red-yellow | OHYS2AJ1 | 1SCA105297R1001 | 0.07                  |

#### Selector handle with metal hasp

| <b>IP65 handles, NEMA 1, 3R, 12</b>  |       |            |                 |      |
|--|-------|------------|-----------------|------|
| <b>Padlockable with max. 3 padlocks, door interlock in the ON-position, defeatable</b>     |       |            |                 |      |
| OT16...125F, OT63...100G2-BS,<br>OT30...160G3-BS   | Black | OHBS2AJEH  | 1SCA108230R1001 | 0.07 |
| <b>Padlockable with max. 3 padlocks, door interlock in the ON-position, non-defeatable</b> |       |            |                 |      |
| OT16...125F, OT 63...100G2-BS,<br>OT30...160G3-BS  | Black | OHBS2AJ1EH | 1SCA105217R1001 | 0.07 |

- Door interlocking in ON-position means that the door can not be opened, when the handle is in ON-position. This can be defeated in IP65 types to allow authorized personnel access for inspection. The padlocked handle is not defeatable.

## Accessories for manual switch-disconnectors OT16...160

### Ordering information for handles



OHBS3PH, RH



OHYS3PH, RH



OHBS2PJ, RH



OHYS2PJ, RH

#### Selector handles for door mounted switches

Indication I-O and ON-OFF. No separate shaft needed.

| Suitable for switches   | Colour     | Type    | Order code      | Weight/<br>unit<br>kg |
|---|------------|---------|-----------------|-----------------------|
| <b>Snap-on mounting, door drilling 22.5 mm</b>  |            |         |                 |                       |
| <b>No padlocking, IP54, NEMA 1</b>  |            |         |                 |                       |
| OT16...40FT   | Black      | OHBS1PH | 1SCA105211R1001 | 0.05                  |
|   | Red-yellow | OHYS1PH | 1SCA105294R1001 | 0.05                  |
| <b>Padlockable with one padlock, IP54, NEMA 1</b>                                     |            |         |                 |                       |
| OT16...40FT   | Black      | OHBS3PH | 1SCA105236R1001 | 0.05                  |
|   | Red-yellow | OHYS3PH | 1SCA105327R1001 | 0.05                  |
| <b>Padlockable with max. 3 padlocks, IP65, NEMA 1, 3R, 12</b>                         |            |         |                 |                       |
| OT16...40FT   | Black      | OHBS2PJ | 1SCA105231R1001 | 0.07                  |
|   | Red-yellow | OHYS2PJ | 1SCA105322R1001 | 0.07                  |
| <b>Screw mounting, hole distance 36 mm</b>  |            |         |                 |                       |
| <b>No padlocking, IP54, NEMA 1</b>  |            |         |                 |                       |
| OT16...80FT, OT63...100G2-DS  | Black      | OHBS1RH | 1SCA105212R1001 | 0.05                  |
|   | Red-yellow | OHYS1RH | 1SCA105295R1001 | 0.05                  |
| <b>Padlockable with one padlock, IP54, NEMA 1</b>                                     |            |         |                 |                       |
| OT16...80FT, OT63...100G2-DS  | Black      | OHBS3RH | 1SCA105237R1001 | 0.05                  |
|   | Red-yellow | OHYS3RH | 1SCA105328R1001 | 0.05                  |
| <b>Padlockable with max. 3 padlocks, IP65, hole distance 36/48 mm, NEMA 1, 3R, 12</b> |            |         |                 |                       |
| OT16...125FT, OT63...100G2-DS,<br>OT30...160G3-DS                                     | Black      | OHBS2RJ | 1SCA105232R1001 | 0.07                  |
|   | Red-yellow | OHYS2RJ | 1SCA105323R1001 | 0.07                  |

- Door interlocking in ON-position means that the door can not be opened, when the handle is in ON-position.  
This can be defeated in IP65 types to allow authorized personnel access for inspection. The padlocked handle is not defeatable.

## Accessories for manual switch-disconnectors OT16...160

### Ordering information for handles



OZ331\_B



OZ331\_RY



OZ371PB



OHB\_



OHY\_



OHG45J6



OHZX6

#### Round padlockable handles for base and DIN-rail mounted switches OT16...125

Padlockable in 0-position, max 3 padlocks with max 8 mm hasp diameter. Indication I-O and ON-OFF.

| Suitable for switches   | Colour     | Type       | Order code      | Weight/<br>unit<br>kg |
|---|------------|------------|-----------------|-----------------------|
| <b>One hole mounting handle, IP65, NEMA 4X outdoor, size 66x66</b>                          |            |            |                 |                       |
| OT16...125F, OT30...100F,<br>OT63...100G2-BS, OT30...160G3-BS                               | Black      | OZ331SPB   | 1SCA112983R1001 | 0.05                  |
|   | Red-yellow | OZ331SPRY  | 1SCA113097R1001 | 0.05                  |
| <b>IP67, NEMA 4X, size 66x66</b>  |            |            |                 |                       |
| OT16...125F, OT30...100F,<br>OT63...100G2-BS, OT30...160G3-BS                               | Black      | OZ331P67B  | 1SCA111427R1001 | 0.04                  |
|   | Red-yellow | OZ331P67RY | 1SCA111429R1001 | 0.04                  |
| <b>Handles with door coupling in ON-position, not defeatable, IP65, NEMA 4X, size 66x66</b> |            |            |                 |                       |
| Shaft alignment ring for OZ371P_ handle, see page 47.                                       |            |            |                 |                       |
| OT16...125F, OT30...100F,<br>OT63...100G2-BS, OT30...160G3-BS                               | Black      | OZ371PB    | 1SCA111684R1001 | 0.05                  |
|   | Red-yellow | OZ371PRY   | 1SCA111685R1001 | 0.05                  |

#### Pistol handles for base and DIN-rail mounted switches OT63...100G2-BS, OT30...160G3-BS OT16...125F and OT160G

For shaft diameter 6 mm, IP65, NEMA 1, 3R, 12, padlockable with three padlocks in OFF-position, door interlock in ON-position. Screw fixing from the back side of the handle. No screws on the front ensures double insulation. Indication in types OHB and OHY: I-O, ON-OFF, in types OHG: I-O.

| Handle length mm | Colour     | Type    | Order code      | Weight/<br>unit<br>kg |
|------------------|------------|---------|-----------------|-----------------------|
| 45               | Black      | OHB45J6 | 1SCA022380R8770 | 0.10                  |
| 45               | Red-yellow | OHY45J6 | 1SCA022380R8930 | 0.10                  |
| 45               | Grey       | OHG45J6 | 1SCA022380R8850 | 0.10                  |

- Door interlocking in ON-position means that the door can not be opened, when the handle is in ON-position.
- Door interlocking can be defeated in IP65 types to allow authorized personnel access for inspection.
- Handles padlockable in ON and OFF-positions available on request.
- The door is locked when the handle is padlocked. The padlocked handle is not defeatable.

#### Pistol handle mounting kit for OT30...160G3-DS, OT 100...125 FT\_ and OT160GT switches

Mounting kit OHZX6 consists of door mount handle fixing plate, screws and shaft. The pistol handle is not included.

| Suitable for switches  | Colour | Type  | Order code      | Weight/<br>unit<br>kg |
|--|--------|-------|-----------------|-----------------------|
| OT100...125 FT_<br>OT30...100FT, OT160GT,<br>OT30...160G3-DS | Black  | OHZX6 | 1SCA022559R5670 | 0.01                  |

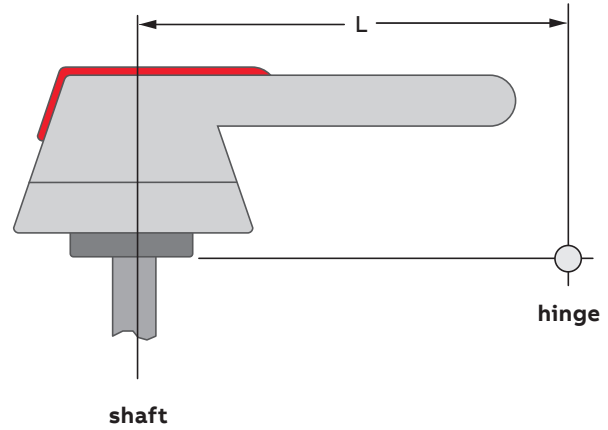
## Accessories for manual switch-disconnectors OT16...160

Dimensional drawings for handles

### Minimum distance L between the hinge, handle and shaft

| Sizes      | Length L | Handle type      |
|------------|----------|------------------|
| A          | mm/in    |                  |
| OT16...125 | 75/2.95  | OH_1, OH_2, OH_3 |

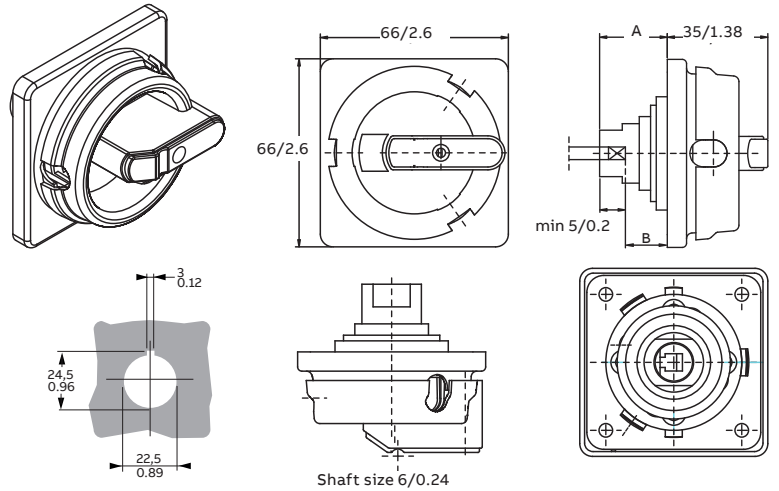
S00374C



### Round padlockable handle types OZ331P\_ and OZ371P\_

| Handle type | OZ331P_        | OZ371P_       |
|-------------|----------------|---------------|
|             | mm/in          | mm/in         |
| A           | 24/0.94        | 21/0.83       |
| B           | 3-10/0.12-0.39 | 4-5/0.16-0.20 |

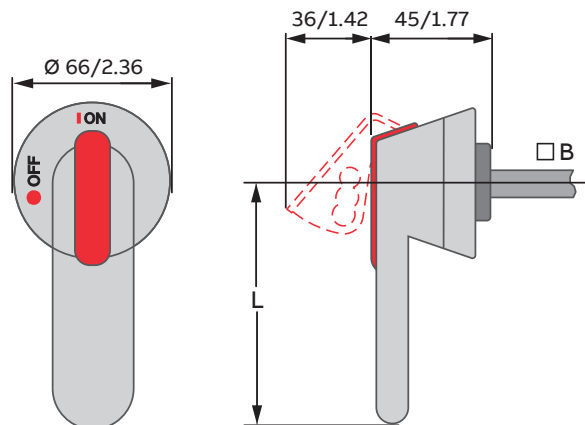
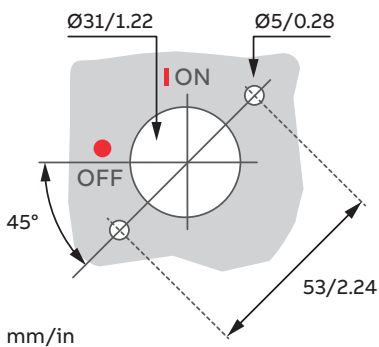
KE00031



### Pistol handle

| Handle type | Shaft diameter B | Length L |
|-------------|------------------|----------|
|             | mm/in            | mm/in    |
| OH_45J6     | 6/0.24           | 45/1.77  |

Door drilling for OH\_ handles:



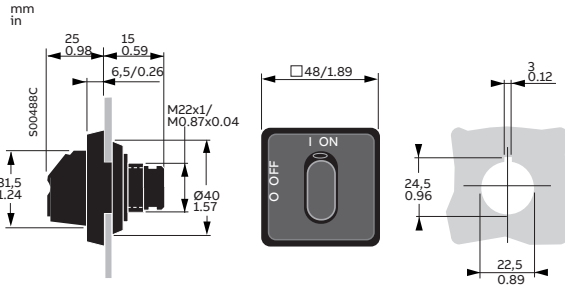
Main dimensions mm, inches

# Accessories for manual switch-disconnectors OT16...160

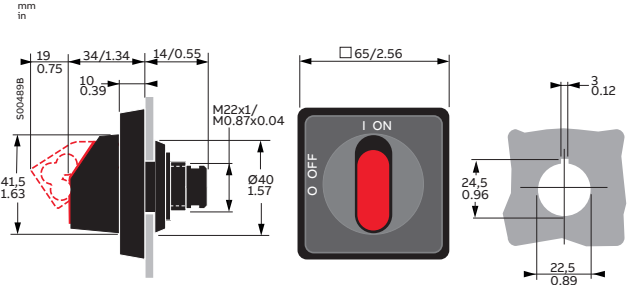
## Dimensional drawings for handles

### Handles for base and DIN-rail mounted switches

#### OH\_S1A\_, OH\_S3A\_



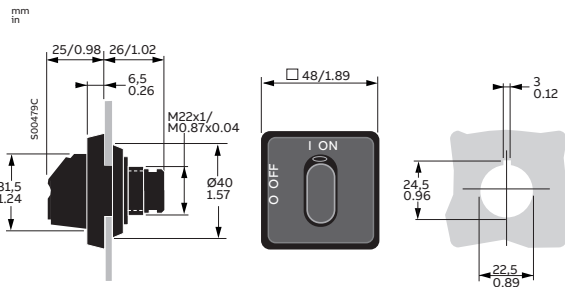
#### OH\_S2A\_



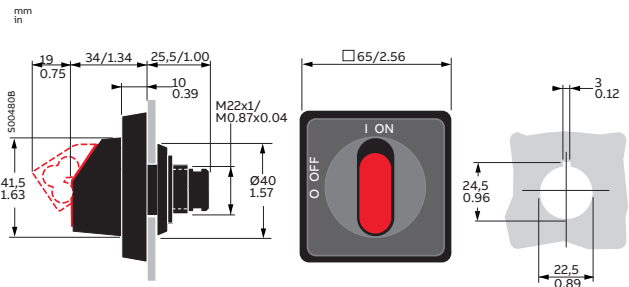
| Handle type | Length    |
|-------------|-----------|
|             | mm/in     |
| OH_S1A_     | 31.5/1.24 |
| OH_S3A_     | 37.5/1.48 |

### Handles for door mounted switches (snap-on mounting)

#### OH\_S1P\_, OH\_S3P\_



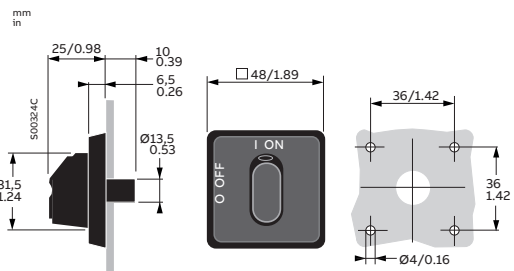
#### OH\_S2P\_



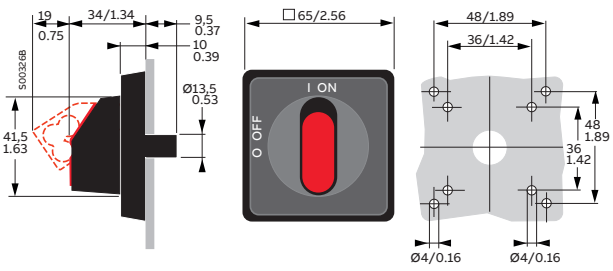
| Handle type | Length    |
|-------------|-----------|
|             | mm/in     |
| OH_S1P_     | 31.5/1.24 |
| OH_S3P_     | 37.5/1.48 |

### Handles for door mounted switches (screw-mounting)

#### OH\_S1R\_, OH\_S3R\_



#### OH\_S2R\_



| Handle type | Length    |
|-------------|-----------|
|             | mm/in     |
| OH_S1P_     | 31.5/1.24 |
| OH_S3P_     | 37.5/1.48 |

## Accessories for manual switch-disconnectors OT16...160

Ordering information for legend plates



OPBS1



OPB2



OPG2



OPS2



OPBS1EN1



OPSS1EN1



OPB2EN1



OPG2EN1



OPS2EN1

### Legend plates for selector handles

| Colour  | Type     | Order code      | Weight/<br>unit<br>kg |
|---|----------|-----------------|-----------------------|
| <b>Plain plates for OH 1_ and OH 3_ handles.</b>                      |          |                 |                       |
| Black   | OPBS1    | 1SCA111519R1001 | 0.01                  |
| Yellow  | OPYS1    | 1SCA111528R1001 | 0.01                  |
| Silver  | OPSS1    | 1SCA111523R1001 | 0.01                  |
| Grey  | OPGS1    | 1SCA111563R1001 | 0.01                  |
| <b>Plain plates for OH 2_ handles.</b>                                |          |                 |                       |
| Black   | OPB2     | 1SCA022353R4110 | 0.01                  |
| Yellow  | OPY2     | 1SCA022353R4200 | 0.01                  |
| Silver  | OPS2     | 1SCA022353R4460 | 0.01                  |
| Grey  | OPG2     | 1SCA022353R4380 | 0.01                  |
| <b>Printed plates for OH 1_ and OH 3_ handles. Text: MAIN SWITCH.</b> |          |                 |                       |
| Black   | OPBS1EN1 | 1SCA111520R1001 | 0.01                  |
| Yellow  | OPYS1EN1 | 1SCA111530R1001 | 0.01                  |
| Silver  | OPSS1EN1 | 1SCA111525R1001 | 0.01                  |
| Grey  | OPGS1EN1 | 1SCA111526R1001 | 0.01                  |
| <b>Printed plates for OH 2_ handles. Text: MAIN SWITCH.</b>           |          |                 |                       |
| Black   | OPB2EN1  | 1SCA022400R2070 | 0.01                  |
| Yellow  | OPY2EN1  | 1SCA022400R2740 | 0.01                  |
| Silver  | OPS2EN1  | 1SCA022400R2230 | 0.01                  |
| Grey  | OPG2EN1  | 1SCA022400R2310 | 0.01                  |

## Accessories for manual switch-disconnectors OT16...160

Dimensional drawings for legend plates and labelling accessories

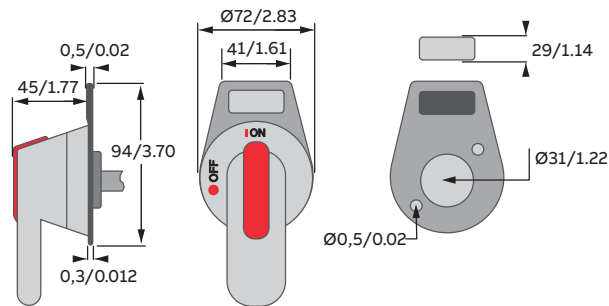


OPB3

### Legend plates for pistol handles

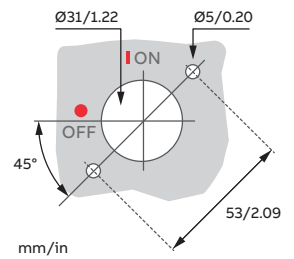
| Colour        | Type | Order code      | Weight/<br>unit |
|---------------|------|-----------------|-----------------|
| <b>Holder</b> |      |                 |                 |
| Black         | OPB3 | 1SCA022679R3410 | 0.01            |
| Yellow        | OPY3 | 1SCA022695R0450 | 0.01            |

### Dimensions of legend plate for pistol handles



Main dimensions mm, inches

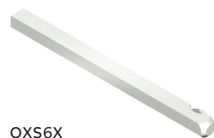
### Door drilling for OP\_handles:



mm/in

## Accessories for manual switch-disconnectors OT16...160

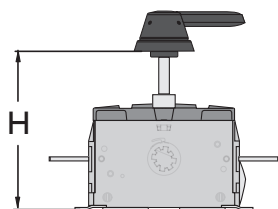
### Ordering information for shafts



OXS6X\_



OX6X\_



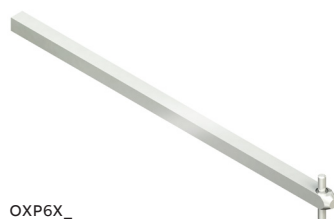
OXP\_X\_

#### Shafts

Suitable for all the switches in this section, OT63...100G2-BS, OT30...160G3-BS, OT16...125F and OT160G.

Shaft diameter 6 mm.

| Shaft length<br>mm                   | Mounting depth H<br>mm | Type     | Order code      | Weight/<br>unit<br>kg |
|--------------------------------------|------------------------|----------|-----------------|-----------------------|
| <b>For selector handles</b>          |                        |          |                 |                       |
| 85                                   | See dimension drawings | OXS6X85  | 1SCA101647R1001 | 0.02                  |
| 105                                  |                        | OXS6X105 | 1SCA108043R1001 | 0.02                  |
| 120                                  |                        | OXS6X120 | 1SCA101654R1001 | 0.03                  |
| 130                                  |                        | OXS6X130 | 1SCA101655R1001 | 0.03                  |
| 160                                  |                        | OXS6X160 | 1SCA101656R1001 | 0.04                  |
| 180                                  |                        | OXS6X180 | 1SCA101659R1001 | 0.04                  |
| 250                                  |                        | OXS6X250 | 1SCA101660R1001 | 0.05                  |
| 330                                  |                        | OXS6X330 | 1SCA101661R1001 | 0.05                  |
| <b>For round padlockable handles</b> |                        |          |                 |                       |
| 60                                   | See dimension drawings | OX6X60   | 1SCA111459R1001 | 0.02                  |
| 85                                   |                        | OX6X85   | 1SCA111274R1001 | 0.02                  |
| 105                                  |                        | OX6X105  | 1SCA111930R1001 | 0.02                  |
| 115                                  |                        | OX6X115  | 1SCA111931R1001 | 0.03                  |
| 130                                  |                        | OX6X130  | 1SCA111460R1001 | 0.03                  |
| 155                                  |                        | OX6X155  | 1SCA111275R1001 | 0.04                  |
| 200                                  |                        | OX6X200  | 1SCA111932R1001 | 0.04                  |
| 300                                  |                        | OX6X300  | 1SCA111933R1001 | 0.05                  |
| <b>For pistol handles</b>            |                        |          |                 |                       |
| 150                                  | See dimension drawings | OMP6X150 | 1SCA022295R5600 | 0.05                  |
| 170                                  |                        | OMP6X170 | 1SCA108224R1001 | 0.05                  |
| 265                                  |                        | OMP6X265 | 1SCA108225R1001 | 0.08                  |
| 400                                  |                        | OMP6X400 | 1SCA108226R1001 | 0.12                  |



OXP6X\_



OXP6X\_-45

#### Twisted shafts

Twisted shafts for pistol handles, the shaft position is rotated 45 degrees.

Shaft diameter 6 mm.

| Shaft length<br>mm | Mounting depth H<br>mm | Type        | Order code      | Weight/<br>unit<br>kg |
|--------------------|------------------------|-------------|-----------------|-----------------------|
| 150                | See dimension drawings | OMP6X150-45 | 1SCA022294R4400 | 0.05                  |
| 170                |                        | OMP6X170-45 | 1SCA108227R1001 | 0.05                  |
| 265                |                        | OMP6X265-45 | 1SCA108228R1001 | 0.08                  |
| 290                |                        | OMP6X290-45 | 1SCA022304R4290 | 0.09                  |
| 430                |                        | OMP6X430-45 | 1SCA022860R8100 | 0.13                  |

- When using long shafts, it is recommended to use shaft support OETLZX58.

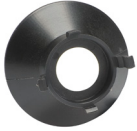


## Accessories for manual switch-disconnectors OT16...160

Ordering information for shaft accessories

### Shaft alignment ring

Improves the alignment of the handle.

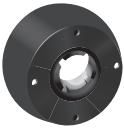


OZG71

| Suitable for handle              | Colour | Type   | Order code      | Weight/<br>unit |
|----------------------------------|--------|--------|-----------------|-----------------|
|                                  |        |        |                 | kg              |
| Selector handles OH_1...3        | Black  | OHZX11 | 1SCA022708R3170 | 0.23            |
| Round padlockable handle OZ371P_ | Black  | OZG71  | 1SCA111686R1001 | 0.05            |

### Extension ring for pistol handles

Improves the alignment of the handle.



OHZX14

| Suitable for handle | Colour | Type   | Order code      | Weight/<br>unit |
|---------------------|--------|--------|-----------------|-----------------|
|                     |        |        |                 | kg              |
| OHB_                | Black  | OHZX14 | 1SCA022851R6590 | 0.06            |

### Shaft support for long shafts

Supporting 6 mm shaft longer than 400 mm.



OETLZX58

| Suitable for switches                         | Type     | Order code      | Weight/<br>unit |
|---|----------|-----------------|-----------------|
|   |          |                 | kg              |
| OT16...125F, OT63...100G2-BS, OT30...160G3-BS | OETLZX58 | 1SCA022068R8220 | 0.10            |

## Accessories for manual switch-disconnectors OT16...160

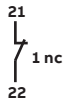
### Ordering information for auxiliary contacts



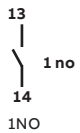
OA1G\_



OA2G11



1NC



1NO

#### Auxiliary contact blocks for OT16...125F/FT\_ and OT160G\_ , IP20

Contact numbering according to EN 50013. Snap-on mounting to the side of the switch.  $I_{th} = 16$  A, cable cross section max.  $2 \times 2.5$  mm<sup>2</sup>. Early-break type OA1G10. Early break type auxiliary contacts means that in the switches, the NO aux.contacts break before the main contacts open.

See next pages for performance data, functions and contact timing.

| Suitable for switches   | Function | Type                   | Order code      | Weight/<br>unit<br>kg |
|---|----------|------------------------|-----------------|-----------------------|
| <b>Mountable on left side, max. 2 pcs</b>   |          |                        |                 |                       |
| OT16...125F_ , FT_  | 1NC      | OA1G01                 | 1SCA022353R4890 | 0.03                  |
|   | 1NC      | OA1G01AU <sup>1)</sup> | 1SCA022436R7830 | 0.03                  |
| <b>Mountable on the right side, max. 2 pcs</b>  |          |                        |                 |                       |
| OT16...125F_ , FT_  | 1NO      | OA1G10                 | 1SCA022353R4970 | 0.03                  |
|   | 1NO      | OA1G10AU <sup>1)</sup> | 1SCA022436R7910 | 0.03                  |
| <b>Mountable, max. 4 pcs</b>  |          |                        |                 |                       |
| OT160G_ and OT160GT_  | 1NC      | OA1G01                 | 1SCA022353R4890 | 0.03                  |
|   | 1NC      | OA1G01AU <sup>1)</sup> | 1SCA022436R7830 | 0.03                  |
| <b>Mountable, max. 4 pcs</b>  |          |                        |                 |                       |
| OT160G_ and OT160GT_  | 1NO      | OA1G10                 | 1SCA022353R4970 | 0.03                  |
|   | 1NO      | OA1G10AU <sup>1)</sup> | 1SCA022436R7910 | 0.03                  |
| <b>Mountable on both sides, simultaneous function with the main contacts</b>  |          |                        |                 |                       |
| OT16...40F_ : max. 2NO+2NC, OT63...125F: max. 4NO+4NC <sup>3)</sup>   |          |                        |                 |                       |
| OT16...125F_  | 1NO+1NC  | OA2G11 <sup>2)</sup>   | 1SCA022379R8100 | 0.03                  |
| <b>Mountable on both sides, simultaneous function with the main contacts</b>  |          |                        |                 |                       |
| Snap-on mounting to the switch, including a grey cover, IP 20, width 1/2 module.<br>OT16...125M: 3-pole switches max 2NO+2NC , 4-pole switches max 1NO+1NC. |          |                        |                 |                       |
| OT16...40M_   | 1NO+1NC  | OA1L11                 | 1SCA022555R9870 | 0.04                  |
| OT63ML_   | 1NO+1NC  | OA2L11                 | 1SCA022424R3190 | 0.04                  |
| OT125M_   | 1NO+1NC  | OA3L11                 | 1SCA022555R9950 | 0.04                  |

<sup>1)</sup> Types \_AU are gold plated for extremely difficult circumstances and low voltages.

<sup>2)</sup> Not mountable on the same side as the fourth pole.

<sup>3)</sup> Contact numbering: (83) (43) (53) 13      21 (61) (31) (71)  
(84) (44) (54) 14      22 (62) (32) (72)

## Accessories for manual switch-disconnectors OT16...160

Technical data for auxiliary contacts

### Performance data of auxiliary contacts according to IEC 60947-5-1

For OA1G\_, OA2G\_, OA3G\_, OA8G\_

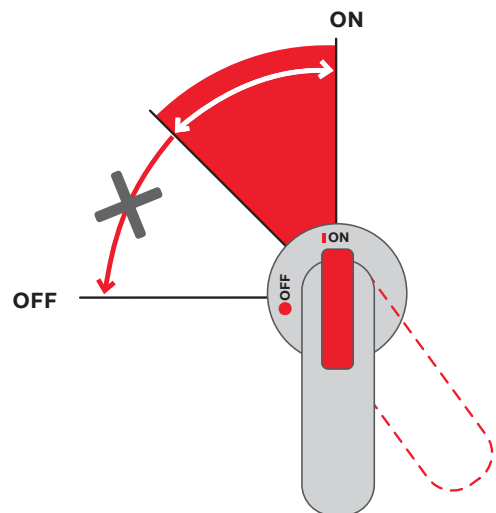
| AC15           |                | DC12           |                | DC13 |    |
|----------------|----------------|----------------|----------------|------|----|
| U <sub>e</sub> | I <sub>e</sub> | U <sub>e</sub> | I <sub>e</sub> | P    | P  |
| V AC           | A              | V DC           | A              | W    | W  |
| 230            | 6              | 24             | 10             | 240  | 50 |
| 400            | 4              | 72             | 4              | 290  | 60 |
| 415            | 4              | 125            | 2              | 250  | 70 |
| 690            | 2              | 250            | 0.55           | 140  | 70 |
|                |                | 440            | 0.1            | 44   |    |

For OA1G\_, OA2G\_, OA3G\_, OA8G\_

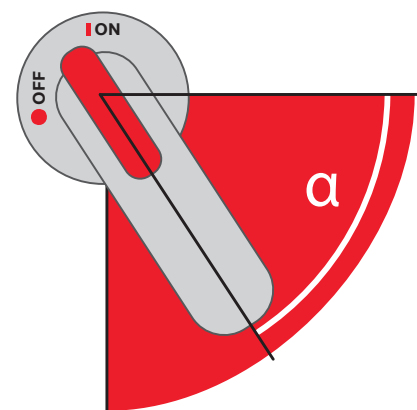
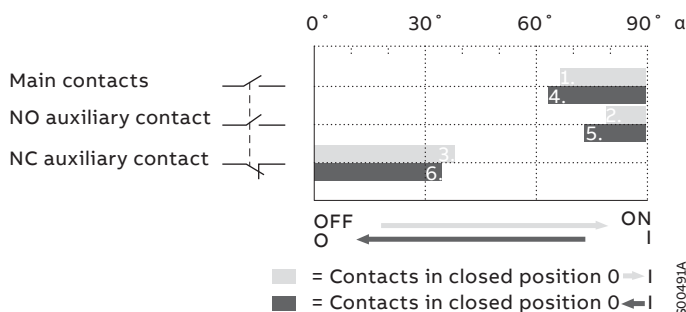
|                  |  |
|------------------|--|
| U <sub>i</sub>   | 690 V                                    |
| U <sub>imp</sub> | 4 kV                                     |
| Pollution degree | 3  |
| I <sub>th</sub>  | 16 A                                     |
| Cable size       | 1...2 x 0.75...2.5 mm <sup>2</sup>       |
| Maximum fuse     | 16 A / gG                                |
| NEMA             | A600, R300, wire size: 18 - 14 AWG, 1(2) |

### Handle indications and functions

The handle indicates the position of the main contacts of the switch with complete reliability in all situations. If the contacts are welded together, the handle does not reach the OFF-position but remains between ON and OFF, maintaining the door interlock and preventing padlocking.



### ON and OFF-functions of main and auxiliary contacts



#### Closing:

1. Main contacts close
2. NO auxiliary contacts close
3. NC auxiliary contacts open

#### Opening:

4. Main contacts open
5. NO auxiliary contacts open
6. NC auxiliary contacts close

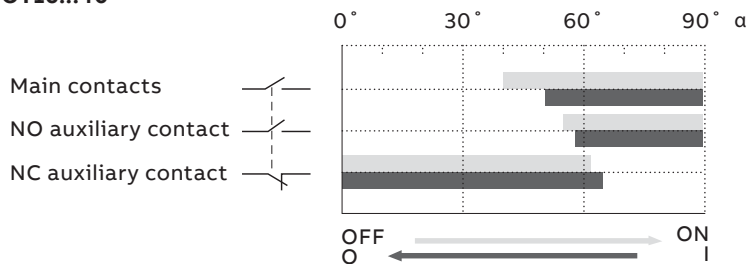
## Accessories for manual switch-disconnectors OT16...160

### Technical data for auxiliary contacts

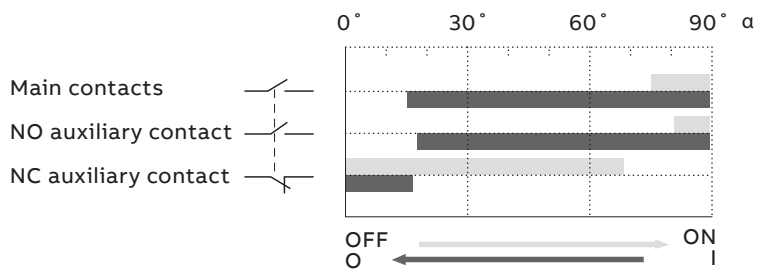
#### ON and OFF-functions of main and auxiliary contacts OT16...160

Auxiliary contact OA2G11, simultaneous function with main contacts.

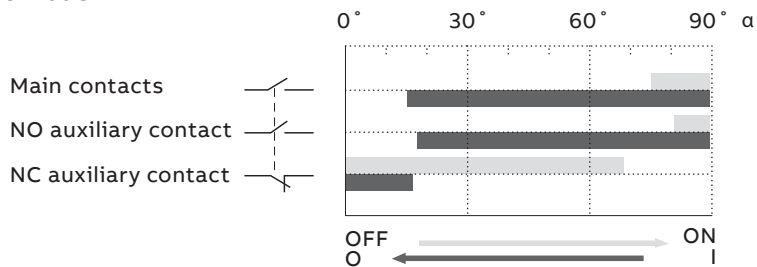
#### OT16...40



#### OT63...125



#### OT160G



| Auxiliary contact | Contact configuration |
|-------------------|-----------------------|
| OA1G10            | 1NO                   |
| OA1G01            | 1NC                   |
| OA2G11*           | 1NO+1NC               |

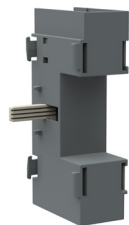
\* Auxiliary contact OA2G11, simultaneous function with main contacts.

## Accessories for manual switch-disconnectors OT16...160

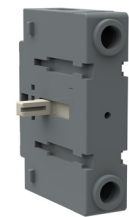
Ordering information for fourth poles



OTPL125FD



OTPS125FD



OTPS40FDN1



OTPL80FP

### Fourth poles, simultaneous function with the main contacts OT16...125

Mountable on the side of the 3-pole switch frame.

| Suitable for switches                         | Type                     | Order code      | Weight/<br>unit<br>kg |
|---|--------------------------|-----------------|-----------------------|
| <b>For DIN rail and base mounted switches</b> |                          |                 |                       |
| OT16...40F3/F6                                | OTPS40FPN1 <sup>*)</sup> | 1SCA105001R1001 | 0.03                  |
|   | OTPS40FPN2 <sup>*)</sup> | 1SCA105000R1001 | 0.06                  |
| OT63...80F3/F6                                | OTPS80FP                 | 1SCA105461R1001 | 0.14                  |
| OT30...60F3/F6                                | OTPS60FP                 | 1SCA111009R1001 | 0.30                  |
| OT100...125F3/F6                              | OTPS125FP                | 1SCA105099R1001 | 0.30                  |
| OT63ML3                                       | OTPS63MLP                | 1SCA022530R6580 | 0.08                  |
| OT125M3                                       | OTPS125MP                | 1SCA022436R9110 | 0.08                  |
| <b>For door mounted switches</b>              |                          |                 |                       |
| OT16...40FT3                                  | OTPS40FDN1 <sup>*)</sup> | 1SCA104999R1001 | 0.06                  |
|   | OTPS40FDN2 <sup>*)</sup> | 1SCA104998R1001 | 0.14                  |
| OT63...80FT3                                  | OTPS80FD                 | 1SCA105458R1001 | 0.30                  |
| OT30...60F3/F6                                | OTPS60FD                 | 1SCA111008R1001 | 0.30                  |
| OT100...125FT3                                | OTPS125FD                | 1SCA105096R1001 | 0.30                  |

### Fourth poles, late-break and early-make

Mountable on the side of the switch. There is a time difference between the main poles and the fourth pole.

| Suitable for switches              | Type      | Order code      | Weight/<br>unit<br>kg |
|------------------------------------|-----------|-----------------|-----------------------|
| <b>For OT switch-disconnectors</b> |           |                 |                       |
| OT16...40F3/F6                     | OTPL40FP  | 1SCA105717R1001 | 0.03                  |
| OT63...80F3/F6                     | OTPL80FP  | 1SCA105452R1001 | 0.06                  |
| OT100...125F3/F6                   | OTPL125FP | 1SCA105090R1001 | 0.14                  |
| <b>For door mounted switches</b>   |           |                 |                       |
| OT16...40FT3                       | OTPL40FD  | 1SCA105716R1001 | 0.03                  |
| OT63...80FT3                       | OTPL80FD  | 1SCA105451R1001 | 0.06                  |
| OT100...125FT3                     | OTPL125FD | 1SCA105088R1001 | 0.14                  |

<sup>\*)</sup> N1=On the left side of the switch  
N2=On the right side of the switch

## Accessories for manual switch-disconnectors OT16...160

Ordering information for neutral and earth terminals



OTPD40FP



OTPD80FP



OTPD80FD



OTPE40FP



OTPE125FP



OTPE125FD

### Fixed neutral

Mountable on the side of the switch.

| Suitable for switches            | Type      | Order code      | Weight/<br>unit<br>kg |
|----------------------------------|-----------|-----------------|-----------------------|
| <b>For base mounted switches</b> |           |                 |                       |
| OT16...40F3/F6                   | OTPN40FP  | 1SCA104997R1001 | 0.03                  |
| OT63...80F3/F6                   | OTPN80FP  | 1SCA105457R1001 | 0.06                  |
| OT30...60F3/F6                   | OTPN60FP  | 1SCA117606R1001 | 0.14                  |
| OT100...125F3/F6                 | OTPN125FP | 1SCA105094R1001 | 0.14                  |
| <b>For door mounted switches</b> |           |                 |                       |
| OT16...40FT3                     | OTPN40FD  | 1SCA105718R1001 | 0.03                  |
| OT63...80FT3                     | OTPN80FD  | 1SCA105456R1001 | 0.06                  |
| OT30...60FT3                     | OTPN60FD  | 1SCA111005R1001 | 0.14                  |
| OT100...125FT3                   | OTPN125FD | 1SCA105092R1001 | 0.14                  |

### Detachable neutral

Mountable on the side of the switch.

| Suitable for switches                         | Type      | Order code      | Weight/<br>unit<br>kg |
|---|-----------|-----------------|-----------------------|
| <b>For DIN rail and base mounted switches</b> |           |                 |                       |
| OT16...40F3/F6                                | OTPD40FP  | 1SCA104994R1001 | 0.03                  |
| OT63...80F3/F6                                | OTPD80FP  | 1SCA105445R1001 | 0.06                  |
| OT30...60F3/F6                                | OTPD60FP  | 1SCA111014R1001 | 0.14                  |
| OT100...125F3/F6                              | OTPD125FP | 1SCA105083R1001 | 0.14                  |
| <b>For door mounted switches</b>              |           |                 |                       |
| OT63...80FT3                                  | OTPD80FD  | 1SCA105444R1001 | 0.06                  |

### Protective earth

Mountable on the side of the switch.

| Suitable for switches              | Type      | Order code      | Weight/<br>unit<br>kg |
|------------------------------------|-----------|-----------------|-----------------------|
| <b>For OT switch-disconnectors</b> |           |                 |                       |
| OT16...40F3/F4/F6                  | OTPE40FP  | 1SCA104995R1001 | 0.03                  |
| OT63...80F3/F4/F6                  | OTPE80FP  | 1SCA105448R1001 | 0.06                  |
| OT30...60F3/F4/F6                  | OTPE60FP  | 1SCA111016R1001 | 0.14                  |
| OT100...125F3/F4/F6                | OTPE125FP | 1SCA105128R1001 | 0.14                  |
| <b>For door mounted switches</b>   |           |                 |                       |
| OT16...40FT_                       | OTPE40FD  | 1SCA109884R1001 | 0.03                  |
| OT63...80FT_                       | OTPE80FD  | 1SCA105446R1001 | 0.06                  |
| OT30...60FT_                       | OTPE60FD  | 1SCA111015R1001 | 0.14                  |
| OT100...125FT_                     | OTPE125FD | 1SCA105698R1001 | 0.14                  |

## Accessories for manual switch-disconnectors OT16...160

Ordering information for terminal shrouds



OTS40T3



OTS63T3



OTS125T3



OTS125T3P



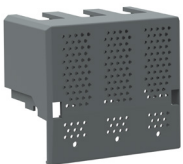
OTS63T1

OTS125T1

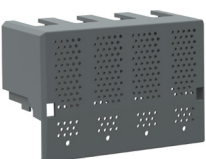


OTS40T1

OTS125T1P



OTS160G1L3



OTS160G1L4

### Terminal shrouds

For OT switches, snap-on mounting, transparent IP2X

| Suitable for switches  | Type       | Order code      | Weight/<br>unit<br>kg |
|--|------------|-----------------|-----------------------|
| <b>For 3-pole OT switches</b>  |            |                 |                       |
| OT16...40F3, FT3   | OTS40T3    | 1SCA105317R1001 | 0.01                  |
| OT63...80F3, FT3   | OTS63T3    | 1SCA022353R6750 | 0.01                  |
| OT100...125F3, FT3, OT125M3  | OTS125T3   | 1SCA022379R9680 | 0.01                  |
| <b>For 3-pole OT160G_ switches. Suitable also when provided with terminal clamps OZXT2 or OZXT3</b>                |            |                 |                       |
| OT160G, GT   | OTS160G1L3 | 1SCA140414R1001 | 0.02                  |
| <b>For 3-pole OT switches, suitable also when provided with terminal clamps OZXL1 or OZXT1</b>                     |            |                 |                       |
| OT100...125F3  | OTS125T3P  | 1SCA022491R9890 | 0.01                  |
| <b>For 1 to 4-pole OT switches, shroud for single pole and for fourth pole</b>                                     |            |                 |                       |
| OTP_40F_   | OTS40T1    | 1SCA105314R1001 | 0.01                  |
| OTP_80F_   | OTS63T1    | 1SCA022353R6910 | 0.01                  |
| OTP_125F_, OTPS125MP   | OTS125T1   | 1SCA022379R9760 | 0.01                  |
| <b>For 1 to 4-pole OT switches with terminal clamps OZXL1 or OZXT1, shroud for single pole and for fourth pole</b> |            |                 |                       |
| OT100...125F_  | OTS125T1P  | 1SCA022491R9970 | 0.01                  |
| <b>For 4-pole OT160G_ switches. Suitable also when provided with terminal clamps OZXT2 or OZXT3</b>                |            |                 |                       |
| OT160G, GT   | OTS160G1L4 | 1SCA140415R1001 | 0.03                  |

For 6- and 8-pole switches, 2 pcs of 3- or 4-pole terminal shrouds is needed.

## Accessories for manual switch-disconnectors OT16...160

Ordering information for terminal clamps



OZXT1



OZXT2

### Terminal clamp sets for Al- and Cu-cables, insulated versions

| Suitable for switches | Cable cross section     | Type                | Order code      | Weight/ |
|-----------------------|-------------------------|---------------------|-----------------|---------|
|                       | mm <sup>2</sup>         |                     |                 | unit    |
| OT63...125F           | 16...50 Al, 2.5...50 Cu | OZXT1 <sup>*)</sup> | 1SCA022469R6310 | 0.05    |
| OT100...125F, OT160G  | 16...120 Al/Cu          | OZXT2               | 1SCA022620R7200 | 0.21    |
| OT100...125F, OT160G  | 2x(16...50) Al/Cu       | OZXT3               | 1SCA022639R0720 | 0.21    |

<sup>\*)</sup> I<sub>n</sub>=63 A

- More information on Al/Cu terminal clamps, see the catalogue OZX1A GB.



## Accessories for manual switch-disconnectors OT16...160

Ordering information for conversion kits



OWP6D40



OWP6D80



OWP6D125



OWC6D40



OWC6D125

### 6 and 8-pole switch mechanism

| Suitable for switches | Shaft distance | Type | Order code | Weight/ |
|-----------------------|----------------|------|------------|---------|
|                       | mm             |      |            | unit    |

#### Parallel attachment for connecting two 3- or 4-pole switches

The switches work simultaneously. Mounting directly on the top of two switch-disconnectors, snap-on mounting. The switch size is printed on stickers for the different switch sizes. The fourth pole or auxiliary contacts can be mounted on the outer side of the combination.

| Suitable for switches  | Shaft distance | Type     | Order code      | Weight/ |
|------------------------|----------------|----------|-----------------|---------|
|                        | mm             |          |                 | unit    |
| OT16...40              |                | OWP6D40  | 1SCA022865R4800 | 0.03    |
| OT63...80              |                | OWP6D80  | 1SCA022865R5010 | 0.03    |
| OT30...60, OT100...125 |                | OWP6D125 | 1SCA022865R5100 | 0.03    |
| OT160G                 |                | OESAZW2  | 1SCA022078R1600 | 0.80    |

### Change-over switch mechanism

Two switches (3 or 4-pole) are connected with a mechanism operating between I-O-II -positions. The modular change-over switches can be built by adding a compact snap-on kit on the top of two switch-disconnectors. The kits do not require any additional foot print area, only the height is increased 12 mm.

| Suitable for switches | Shaft distance | Type | Order code | Weight/ |
|-----------------------|----------------|------|------------|---------|
|                       | mm             |      |            | unit    |

#### Change-over kits

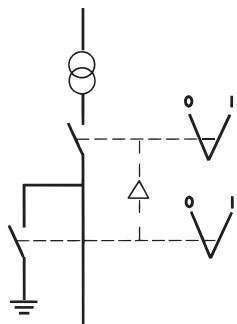
|                        |  |          |                 |      |
|------------------------|--|----------|-----------------|------|
| OT16...40              |  | OWC6D40  | 1SCA022865R4550 | 0.03 |
| OT63...80              |  | OWC6D80  | 1SCA022865R4630 | 0.07 |
| OT30...60, OT100...125 |  | OWC6D125 | 1SCA104494R1001 | 0.09 |

## Accessories for manual switch-disconnectors OT16...160

Ordering information for conversion kits



OTZW24



Mechanical interlock

### Mechanical interlock mechanism

Prevents one switch from moving to ON-position, if the other is not in OFF-position. When mounted upside down, prevents one switch from moving to OFF-position, if the other is not in ON-position. (UPS-usage, make-before-break).

| Suitable for switches                               | Shaft distance | Type   | Order code      | Weight/ |
|---|----------------|--------|-----------------|---------|
|   | mm             |        |                 | unit    |
| OT16...125F,<br>OT63...100G2-BS,<br>OT30...160G3-BS | 100            | OTZW24 | 1SCA022639R5610 | 0.08    |
| OT160G  |                | OTZW10 | 1SCA022431R5280 | 1       |

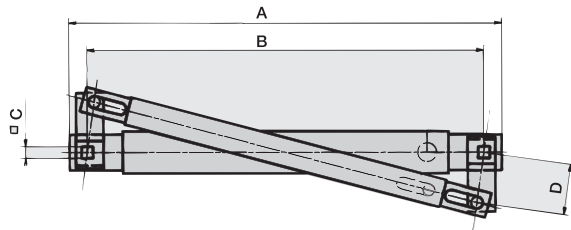
See the table of the handles and shafts included in the conversion kits on the following spread.

## Accessories for manual switch-disconnectors OT16...160

Dimensional drawings for conversion kits

### Mechanical interlock

#### OTZW10



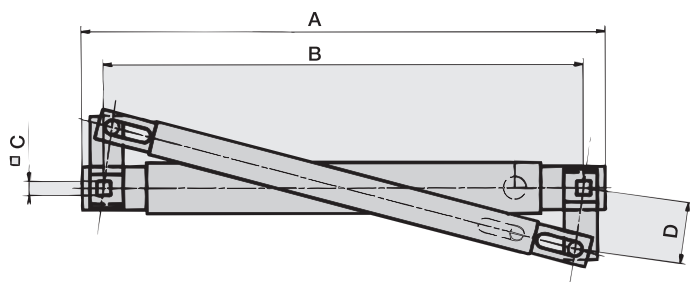
#### OTZW10

|   | OTZW10 |
|---|--------|
| A | 206    |
| B | 190    |
| C | 6      |
| D | 30     |

S00119A

### Mechanical interlock

#### OTZW10, OTZW24



#### OTZW\_

|   | OTZW10 | OTZW24 |
|---|--------|--------|
|   | mm     | mm     |
| A | 206    | 114    |
| B | 190    | 100    |
| C | 6      | 6      |
| D | 30     | 15     |

S00119A

## Accessories for manual switch-disconnectors OT16...160

Ordering information for conversion kit accessories

### Shafts and handles for conversion kits

| Conversion kit type          | Suitable for switches | To be ordered separately |             | Included in conversion kit delivery |        | The standard handle / shaft of one of the combined switches can be used |        |
|------------------------------|-----------------------|--------------------------|-------------|-------------------------------------|--------|---|--------|
|                              |                       | Shaft                    | Handle      | Shaft                               | Handle | Shaft   | Handle |
| <b>6 and 8-pole switches</b> |                       |                          |             |                                     |        |   |        |
| OWP6D40                      | OT16...40             | x (shaft dia 6 mm)       | OHBS1A_     | -                                   | -      | -   | -      |
| OWP6D80                      | OT63...80             | x (shaft dia 6 mm)       | OHBS1A_     | -                                   | -      | -   | -      |
| OWP6D125                     | OT100...125           | x (shaft dia 6 mm)       | OHBS1A_     | -                                   | -      | -   | -      |
| OWP6D40                      | OT16...40             | x (shaft dia 6 mm)       | OHB45J6     | -                                   | -      | -   | -      |
| OWP6D80                      | OT63...80             | x (shaft dia 6 mm)       | OHB45J6     | -                                   | -      | -   | -      |
| OWP6D125                     | OT100...125           | x (shaft dia 6 mm)       | OHB45J6     | -                                   | -      | -   | -      |
| <b>Change-over switches</b>  |                       |                          |             |                                     |        |   |        |
| OWC6D40                      | OT16...40             | x (shaft dia 6 mm)       | OHBS2AJE011 | -                                   | -      | -   | -      |
| OWC6D80                      | OT63...80             | x (shaft dia 6 mm)       | OHBS2AJE011 | -                                   | -      | -   | -      |
| OWC6D125                     | OT100...125           | x (shaft dia 6 mm)       | OHBS2AJE011 | -                                   | -      | -   | -      |
| OWC6D40                      | OT16...40             | x (shaft dia 6 mm)       | OHB45J6E311 | -                                   | -      | -   | -      |
| OWC6D80                      | OT63...80             | x (shaft dia 6 mm)       | OHB45J6E311 | -                                   | -      | -   | -      |
| OWC6D125                     | OT100...125           | x (shaft dia 6 mm)       | OHB45J6E311 | -                                   | -      | -   | -      |
| <b>Mechanical interlock</b>  |                       |                          |             |                                     |        |   |        |
| OTZW24                       | OT16...160            | -                        | -           | -                                   | -      | x   | x      |

## Accessories for manual switch-disconnectors OT16...160

Ordering information for locking accessories

### Locking accessories



SA1

#### Padlocking adapter

For a padlock with max. 3.5 mm bail.

| Suitable for switches | Type | Order code        | Weight/<br>unit |
|-----------------------|------|-------------------|-----------------|
|                       |      |                   | kg              |
| OT63...125F           | SA1  | GJF1 101 903 R000 | 0.01            |

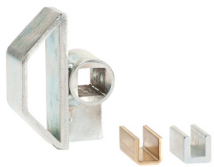


OHZX4

#### Door interlock bracket for pistol handles

Prevents defeating the door interlock.

| Suitable for switches          | Type  | Order code      | Weight/<br>unit |
|--------------------------------|-------|-----------------|-----------------|
|                                |       |                 | kg              |
| For pistol handles OH_45...275 | OHZX4 | 1SCA022467R2470 | 0.03            |



OETLZW16

#### Cam attachment

Cam attachment for Castell, Lowe & Fletcher and Ronis interlock. Lock, handle or shaft are not included. Mounting on OXP shaft working together with external OH door handle.

| Suitable for switches | Type     | Order code      | Weight/<br>unit |
|-----------------------|----------|-----------------|-----------------|
|                       |          |                 | kg              |
| OT16...160            | OETLZW16 | 1SCA022093R2070 | 0.17            |



# Manual switch-disconnectors OT160...4000

## Modular and flexible design

### Introduction to manual switch-disconnectors OT160...4000

|   |    |
|---|----|
| Product overview                                | 88 |
| Product range                                   | 89 |
| Type designation key for the types OT160...4000 | 90 |

### Technical data

|  |    |
|--|----|
| Switch-disconnectors (IEC)               | 91 |
| Non-fusible disconnect switches (UL/CSA) | 92 |

### Ordering information

|  |     |
|--|-----|
| Accessory guide for OT160EV...1600   | 96  |
| Accessory guide for OT2000...4000  | 97  |
| Front operated switch-disconnectors OT160...800 (IEC)                            | 98  |
| Front operated switch-disconnectors OT160...800 with wide phase distance (IEC)   | 100 |
| Front operated switch-disconnectors OT1000...4000 (IEC)                          | 101 |
| Front operated switch-disconnectors OT1000...4000 with wide phase distance (IEC) | 104 |
| Manual 6- and 8-pole switch-disconnectors OT160...800_DP, (IEC)                  | 105 |
| Manual 6- and 8-pole switches OT1000...2500_DDP, (IEC)                           | 106 |
| Side operated switch-disconnectors OT160...4000 (IEC)                            | 107 |
| Front operated earthing switches (IEC)   | 108 |
| Front operated non-fusible disconnect switches (UL/CSA)                          | 110 |
| Manual 6- and 8-pole switch-disconnectors OT200...600_DP, (UL)                   | 111 |
| Side operated non-fusible disconnect switches (UL/CSA)                           | 112 |
| Front operated non-fusible disconnect switches for up to 1000V AC, (UL)          | 113 |

### Dimensional drawings

|  |     |
|--|-----|
| Front operated switch-disconnectors OT160...800 (IEC)                          | 115 |
| Front operated switch-disconnectors OT160...800 with wide phase distance (IEC) | 117 |
| Front operated switch-disconnectors OT1000...4000 (IEC)                        | 123 |
| Front operated 6-and 8-pole switch-disconnectors OT160...800E_DP               | 126 |
| Front operated 6-and 8-pole switch-disconnectors OT1000...2500E_DDP            | 127 |
| Front operated 6-and 8-pole switch-disconnectors OT1000...2500E_DDP            | 128 |
| Front operated switch-disconnectors OT1000...4000 (IEC)                        | 129 |
| Side operated switch-disconnectors OT160...4000 (IEC)                          | 132 |
| Front operated earthing switches (IEC)   | 135 |
| Front operated non-fusible disconnect switches (UL/CSA)                        | 139 |
| Front operated 6-and 8-pole non-fusible disconnect switches OT200...800U_DP    | 145 |
| Front operated non-fusible disconnect switches (UL/CSA)                        | 147 |

### Ordering information for accessories

|   |     |
|---|-----|
| Handles   | 152 |
| Shafts  | 158 |
| Shaft accessories                                   | 160 |
| Auxiliary contacts                                  | 161 |
| ON and OFF-functions of main and auxiliary contacts | 163 |
| Fourth poles, neutral and earth terminals           | 164 |
| Terminal shrouds                                    | 165 |
| Mounting and locking accessories                    | 166 |
| Terminal clamps                                     | 167 |
| Terminal lugs                                       | 169 |
| Conversion kits                                     | 170 |
| Mechanical interlocks                               | 175 |
| Electrical interlocks                               | 176 |
| ITS2 monitoring unit                                | 177 |

# Manual switch-disconnectors OT160...4000

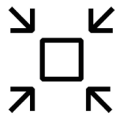
## Modular and flexible design

Manual switch-disconnectors by ABB are suitable for a wide range of demanding applications in power distribution or motor control centers. Their smart and modular design and adaptable construction reduce installation time and make them perfect for even the most demanding operating environments.



### Easy to install

In addition to the same easy installation features as the smaller switch-disconnectors, these devices are extremely flexible regarding installation orientation. They work just as well installed horizontally or vertically, or even on the ceiling. Smart design eliminates the need for major customization such as when using devices optimized for e.g. the 140 mm switchgear busbar standard or 600 mm cubicle solution.



### Space saving

All our switches have been designed for easy and cost-efficient installation, maintenance and use. The modular design enables 2-, 3- and 4-pole installation with different position of the switching mechanism to suit your needs and special requirements. The devices can be optimized in relation to busbar and cable connections as well as handles and other accessories.



### Reliable in extreme conditions

These ABB switch-disconnectors are extremely well suited for heavy duty applications in e.g. distribution centers with full rated current. Relevant short circuit ratings are available for IEC and UL versions alike. These devices are also equipped with extremely resistant insulation materials, which help reduce the risk of flash-over between phases in even the most severe circumstances and environments.



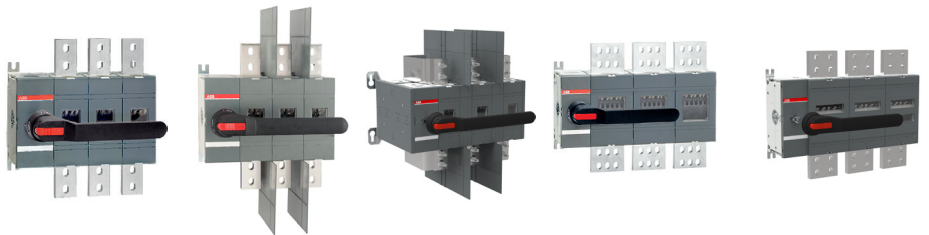
## Manual switch-disconnectors OT160...4000

Modular and flexible design



| Manual operation                        |         |        |  |        |        |
|---|---------|--------|--|--------|--------|
| IEC                                     | OT160EV |        |  | OT315E | OT630E |
|   | OT200E  |        |  | OT400E | OT800E |
|   | OT250E  |        |  |        |        |
| UL 98 file # E101914,<br>CSA C2.22 No.4 |         | OT200U |  | OT400U | OT600U |

| Switch size |                     | 160 A | 200 A | 250 A | 200 A | 315 A | 400 A | 400 A | 600 A | 630 A | 800 A |
|-------------|---------------------|-------|-------|-------|-------|-------|-------|-------|-------|-------|-------|
| IEC         | $I_{th}$            | 160 A | 200 A | 250 A |       | 315 A | 400 A |       |       | 630 A | 800 A |
|             | $I_e$ /AC22A, 415 V | 160 A | 200 A | 250 A |       | 315 A | 400 A |       |       | 630 A | 800 A |
|             | $I_e$ /AC23A, 415 V | 160 A | 200 A | 250 A |       | 315 A | 400 A |       |       | 630 A | 800 A |
| UL/CSA      | Ampere rating       | 20 A  | 30 A  | 40 A  | 200 A |       |       | 400 A | 600   |       |       |



| Manual operation                        |          |  |  |         |         |         |
|---|----------|--|--|---------|---------|---------|
| IEC                                     | OT1000E  |  |  |         | OT2000E | OT3200E |
|   | OT1600E  |  |  |         | OT2500E | OT4000E |
|   | OT2000EC |  |  |         |         |         |
| UL 98 file # E101914,<br>CSA C2.22 No.4 |          |  |  | OT800U  | OT1600U |         |
|   |          |  |  | OT1200U | OT2000U |         |

| Switch size |                     | 800 A | 1000 A | 1200 A | 1250 A | 1600 A | 2000 A | 800 A | 1200 A | 1600 A | 2000 A | 2000 A | 2500 A | 3200 A | 4000 A |
|-------------|---------------------|-------|--------|--------|--------|--------|--------|-------|--------|--------|--------|--------|--------|--------|--------|
| IEC         | $I_{th}$            |       | 1000 A |        | 1250 A | 1600 A | 2000 A |       |        |        |        | 2000 A | 2500 A | 3200 A | 4000 A |
|             | $I_e$ /AC22A, 415 V |       | 1000 A |        | 1250 A | 1250 A | 2000 A |       |        |        |        | 2000 A | 2500 A |        |        |
|             | $I_e$ /AC23A, 415 V |       | 1000 A |        | 1250 A | 1250 A |        |       |        |        |        |        |        |        |        |
| UL/CSA      | Ampere rating       | 800 A |        | 1200 A |        |        |        | 800 A | 1200 A | 1600 A | 2000 A |        |        |        |        |

### Accessories for manual switch-disconnectors OT160...4000 include:

- Handles
- Shafts
- Auxiliary contacts
- Fourth poles
- N terminals
- Terminal shrouds
- Mounting accessories
- Terminal clamps
- Conversion kits
- Locking accessories
- Mechanical interlocks
- Electrical interlocks

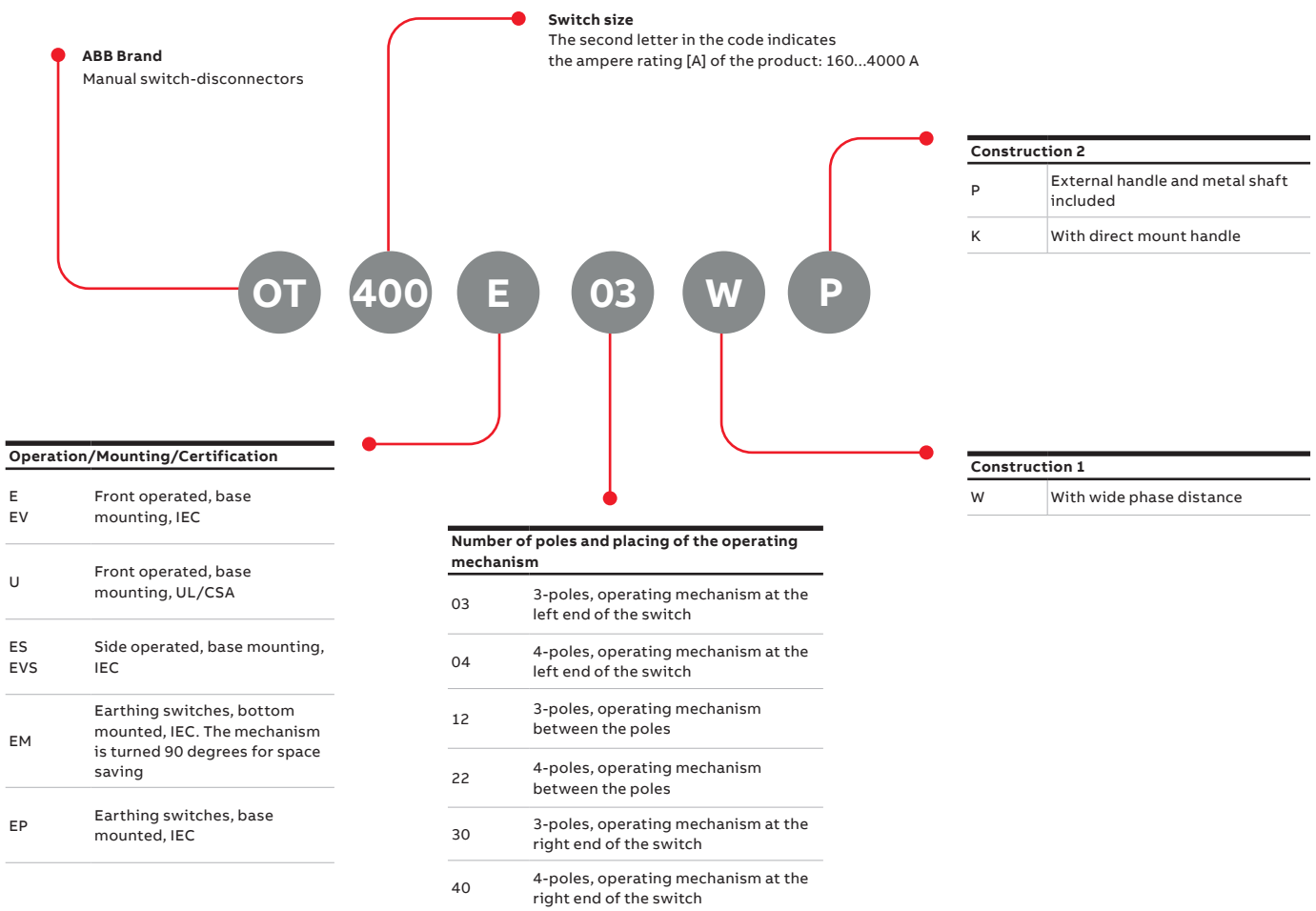
Please note that listed accessories are not automatically included in your order.  
Ordering information for accessories from page 121-124, 127-130, 133-139 and 142-145.

# Manual switch-disconnectors

## OT160...4000

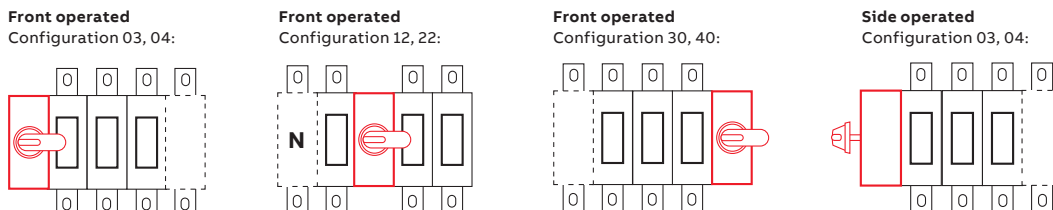
### Type key

Understanding the type code keys below will help you quickly identify the correct product for your needs.



#### Pole configuration table

The various placing options of the operating mechanism in relation to the 3 or 4 poles is illustrated below. The operating mechanism may be placed at the end of the switch or between poles.



# Manual switch-disconnectors OT160...4000, IEC

## Technical data

### Technical data according to IEC 60947-3

| Switch type   |   | OT160EV         | OT200E             | OT250E                | OT315E                | OT400E                | OT630E                | OT800E                |                       |
|---|---|-----------------|--------------------|-----------------------|-----------------------|-----------------------|-----------------------|-----------------------|-----------------------|
| Rated insulation voltage and rated operational voltage AC-20, DC-20   | Pollution degree 3                                  | 1 000 V         | 1 000 V            | 1 000 V               | 1 000 V               | V 1 000               | 1 000 V               | 1 000 V               |                       |
| Dielectric strength   | 50 Hz 1 min.  | 10 kV           | 10 kV              | 10 kV                 | 10 kV                 | 10 kV                 | 10 kV                 | 10 kV                 |                       |
| Rated impulse withstand voltage   |   | 12 kV           | 12 kV              | 12 kV                 | 12 kV                 | 12 kV                 | 12 kV                 | 12 kV                 |                       |
| Rated thermal current and rated operational current AC-20, DC-20  | In open air   | 200 A           | 200 A              | 250 A                 | 315 A                 | 400 A                 | 630 A                 | 800 A                 |                       |
| in ambient 40 °C <sup>4)</sup>  | In enclosure  | 160 A           | 200 A              | 250 A                 | 315 A                 | 400 A                 | 630 A                 | 800 A                 |                       |
| ...with minimum cable cross section   |   | Cu              | 70 mm <sup>2</sup> | 95 mm <sup>2</sup>    | 120 mm <sup>2</sup>   | 185 mm <sup>2</sup>   | 240 mm <sup>2</sup>   | 2x185 mm <sup>2</sup> | 2x240 mm <sup>2</sup> |
| Rated operational current, AC-21A   | ≤ 500 V   | 200 A           | 200 A              | 250 A                 | 315 A                 | 400 A                 | 630 A                 | 800 A                 |                       |
|   | 690 V   | 160 A           | 200 A              | 250 A                 | 315 A                 | 400 A                 | 630 A                 | 800 A                 |                       |
| Rated operational current, AC-22A   | ≤ 500 V   | 200 A           | 200 A              | 250 A                 | 315 A                 | 400 A                 | 630 A                 | 800 A                 |                       |
|   | 690 V   | 160 A           | 200 A              | 250 A                 | 315 A                 | 400 A                 | 630 A                 | 800 A                 |                       |
| Rated operational current, AC-23A   | ≤ 500 V   | 160 A           | 200 A              | 250 A                 | 315 A                 | 400 A                 | 630 A                 | 800 A                 |                       |
|   | 690 V   | 160 A           | 200 A              | 250 A                 | 315 A                 | 400 A                 | 630 A                 | 800 A                 |                       |
| Rated operational current / poles in series, DC-21A <sup>1)</sup>   | 24...110 V  | 160 A/2         | 200 A/2            | 250 A/2               | 315 A/1 <sup>2)</sup> | 400 A/1 <sup>2)</sup> | 630 A/1               | 800 A/1               |                       |
|   | 220 V   | 160 A/2         | 200 A/2            | 250 A/2               | 315 A/2 <sup>2)</sup> | 400 A/2 <sup>2)</sup> | 630 A/1               | 800 A/1               |                       |
|   | 440 V   | 160 A/3         | 200 A/3            | 250 A/3               | 315 A/3               | 360 A/3               | 630 A/2               | 800 A/2               |                       |
|   | 660 V   | 160 A/4         | 200 A/4            | 230 A/4 <sup>2)</sup> | 315 A/4               | 360 A/4               | 630 A/4 <sup>2)</sup> | 650 A/4 <sup>2)</sup> |                       |
| Rated operational current / poles in series, DC-21B   | 800 V   | 160 A/5         | 200 A/5            | 250 A/5               | 315 A/5               | 400 A/5               | 600 A/5               | 600 A/5               |                       |
|   | 1000 V  | 160 A/6         | 200 A/6            | 250 A/6               | 315 A/6               | 400 A/6               | 600 A/6               | 600 A/6               |                       |
| Rated operational power, AC-23 <sup>3)</sup>  | 230 V   | 48 kW           | 60 kW              | 75 kW                 | 100 kW                | 132 kW                | 200 kW                | 250 kW                |                       |
|   | 400 V   | 80 kW           | 110 kW             | 140 kW                | 160 kW                | 220 kW                | 355 kW                | 450 kW                |                       |
|   | 415 V   | 88 kW           | 110 kW             | 145 kW                | 180 kW                | 230 kW                | 355 kW                | 450 kW                |                       |
|   | 500 V   | 112 kW          | 132 kW             | 170 kW                | 220 kW                | 280 kW                | 400 kW                | 560 kW                |                       |
|   | 690 V   | 144 kW          | 200 kW             | 250 kW                | 315 kW                | 400 kW                | 630 kW                | 800 kW                |                       |
| Rated breaking capacity in category AC-23   | ≤ 500 V   | 1 280 A         | 1 600 A            | 2 000 A               | 2 520 A               | 3 200 A               | 5 040 A               | 6 400 A               |                       |
|   | 690 V   | 1 280 A         | 1 600 A            | 2 000 A               | 2 520 A               | 3 200 A               | 5 040 A               | 6 400 A               |                       |
| Rated conditional short-circuit current I <sub>q</sub> (r.m.s.) and corresponding max. allowed cut-off current $\hat{I}_c$ . The cut-off current $\hat{I}_c$ refers to values listed by fuse manufacturers (single phase test acc. to IEC60269) | I <sub>q</sub> 100kA, 500V<br>Max. OFA_fuse size    | $\hat{I}_c$     | 40.5 kA            | 40.5 kA               | 40.5 kA               | 61.5 kA               | 61.5 kA               | 90 kA                 | 90 kA                 |
|   |   | gG/aM           | 315 A/315 A        | 315 A/315 A           | 315 A/315 A           | 500 A/450 A           | 500 A/450 A           | 800 A/1 000 A         | 800 A/1 000 A         |
|   | I <sub>q</sub> 80kA, 690V<br>Max. OFA_fuse size     | $\hat{I}_c$     | 40.5 kA            | 40.5 kA               | 40.5 kA               | 59 kA                 | 59 kA                 | 83.5 kA               | 83.5 kA               |
|   | I <sub>q</sub> 100kA, 690V<br>Max. fuse size        | gG/aM           | 355 A/315 A        | 355 A/315 A           | 355 A/315 A           | 500 A/500 A           | 500 A/500 A           | 800 A/1 000 A         | 800 A/1 000 A         |
| Rated short-time withstand current  | r.m.s. value I <sub>cw</sub>                        | ≤ 1000 V 0.15 s | 15 kA              | 15 kA                 | 15 kA                 | 31 kA                 | 31 kA                 | 38 kA                 | 38 kA                 |
|   |   | ≤ 1000 V 0.25 s | 15 kA              | 15 kA                 | 15 kA                 | 24 kA                 | 24 kA                 | 36 kA                 | 36 kA                 |
|   |   | ≤ 1000 V 1 s    | 8 kA               | 8 kA                  | 8 kA                  | 15 kA                 | 15 kA                 | 20 kA                 | 20 kA                 |
| Rated short-circuit making capacity   | Peak value I <sub>cm</sub>                          | ≤ 1000 V        | 30 kA              | 30 kA                 | 30 kA                 | 65 kA                 | 65 kA                 | 80 kA                 | 80 kA                 |
| Rated capacitor power when no initial charge on the capacitor   | The capacitor ratings are limited by the fuse links | 415 V           | 80 kVAr            | 100 kVAr              | 115 kVAr              | 145 kVAr              | 180 kVAr              | 250 kVAr              | 310 kVAr              |
|   |   | 500 V           | 96 kVAr            | 120 kVAr              | 135 kVAr              | 175 kVAr              | 215 kVAr              | 300 kVAr              | 375 kVAr              |
|   |   | 690 V           | 128 kVAr           | 160 kVAr              | 190 kVAr              | 250 kVAr              | 325 kVAr              | 450 kVAr              | 550 kVAr              |
| Power loss / pole   | With rated current                                  |                 | 3.2 W              | 4 W                   | 6.5 W                 | 6.5 W                 | 10 W                  | 25 W                  | 40 W                  |
| Mechanical endurance  | Divide by two for oper. cycles                      |                 | 20 000 Oper.       | 20 000 Oper.          | 20 000 Oper.          | 16 000 Oper.          | 16 000 Oper.          | 10 000 Oper.          | 10 000 Oper.          |
| Weight without accessories  | 3-pole switch                                       |                 | 1.3 kg             | 1.3 kg                | 1.3 kg                | 2.8 kg                | 2.8 kg                | 6.1 kg                | 6.1 kg                |
| Terminal bolt size  | Metric thread diameter x length                     |                 | M8x25 mm           | M8x25 mm              | M8x25 mm              | M10x30 mm             | M10x30 mm             | M12x40 mm             | M12x40 mm             |
| Terminal tightening torque  | Counter torque required                             |                 | 15-22 Nm           | 15-22 Nm              | 15-22 Nm              | 30-44 Nm              | 30-44 Nm              | 50-75 Nm              | 50-75 Nm              |
| Operating torque  | 3-pole switch disconnecter                          |                 | 7 Nm               | 7 Nm                  | 7 Nm                  | 16 Nm                 | 16 Nm                 | 27 Nm                 | 27 Nm                 |

<sup>1)</sup> Further ratings on request.

<sup>2)</sup> Category B.

<sup>3)</sup> These values are given for guidance and may vary acc. to the motor manufacturer.

<sup>4)</sup> Acc. to IEC 60947-1, § 6.1.1.

# Manual switch-disconnectors OT160...4000, IEC

## Technical data

### Technical data according to IEC 60947-3

| Switch type  |   | OT1000E               | OT1250E               | OT1600E               | OT2000EC              | OT2000E               | OT2500E                  | OT3200E                  | OT4000E                 |   |
|--|---|-----------------------|-----------------------|-----------------------|-----------------------|-----------------------|--------------------------|--------------------------|-------------------------|---|
| Rated insulation voltage and rated operational voltage AC20/DC20   | Pollution degree 3  | 1 000 V               | 1 000 V               | 1 000 V               | 1 000 V               | 1 000 V               | 1 000 V                  | 1 000 V                  | 1 000 V                 |   |
| Dielectric strength  | 50 Hz 1 min.  | 10 kV                 | 10 kV                 | 10 kV                 | 10 kV                 | 10 kV                 | 10 kV                    | 10 kV                    | 10 kV                   |   |
| Rated impulse withstand voltage  |   | 12 kV                 | 12 kV                 | 12 kV                 | 12 kV                 | 12 kV                 | 12 kV                    | 12 kV                    | 12 kV                   |   |
| Rated thermal current and rated operational current AC20/DC20  | Ambient 40 °C <sup>1)</sup>                                     | In open air           | 1 000 A               | 1 250 A               | 1 600 A               | 2 000 A               | 2 000 A                  | 2 500 A                  | 3 200 A                 | 3 800 A, 4000 A <sup>5)</sup>                   |
|  | Ambient 40 °C <sup>1)</sup>                                     | In enclosure          | 1 000 A               | 1 250 A               | 1 600 A               | –                     | –                        | –                        | –                       | –   |
| ..with minimum conductor cross section   | Cu  | 2x300 mm <sup>2</sup> | 2x400 mm <sup>2</sup> | 2x500 mm <sup>2</sup> | 3x500 mm <sup>2</sup> | 3x500 mm <sup>2</sup> | 4x500 mm <sup>2</sup>    | 4x1 000 mm <sup>2</sup>  | 5x1 000 mm <sup>2</sup> |   |
| Rated operational current, AC-21A  |   | up to 690 V           | 1 000 A               | 1 250 A               | 1 600 A               | –                     | 2 000 A <sup>2)</sup>    | 2 500 A <sup>2)</sup>    | –                       | –   |
| Rated operational current, AC-22A  |   | up to 415 V           | 1 000 A               | 1 250 A               | 1 600 A               | 2 000 A <sup>2)</sup> | 2 000 A <sup>2)</sup>    | 2 500 A <sup>2)</sup>    | 3 200 A <sup>2)</sup>   | 3 800 A <sup>2)</sup> , 4000 A <sup>2) 5)</sup> |
|  |   | 500 - 690 V           | 1 000 A               | 1 250 A               | 1 600 A               | –                     | 2 000 A <sup>2) 3)</sup> | 2 500 A <sup>2) 3)</sup> | –                       | –   |
| Rated operational current, AC-23A  |   | up to 500 V           | 1 000 A               | 1 250 A               | 1 250 A               | –                     | –                        | –                        | –                       | –   |
|  |   | 690 V                 | 1 000 A               | 1 250 A               | 1 250 A               | –                     | –                        | –                        | –                       | –   |
| Rated operational power, AC-23A (These values are given for guidance and may vary acc. to the motor manufacturer)  |   | 400...415 V           | 560 kW                | 710 kW                | 710 kW                | –                     | –                        | –                        | –                       | –   |
|  |   | 440 V                 | 630 kW                | 800 kW                | 800 kW                | –                     | –                        | –                        | –                       | –   |
|  |   | 500 V                 | 710 kW                | 900 kW                | 900 kW                | –                     | –                        | –                        | –                       | –   |
|  |   | 690 V                 | 1 000 kW              | 1 200 kW              | 1 200 kW              | –                     | –                        | –                        | –                       | –   |
| Rated breaking capacity, AC-23A  |   | up to 500 V           | 10 000 A              | 10 000 A              | 10 000 A              | –                     | –                        | –                        | –                       | –   |
|  |   | 690 V                 | 10 000 A              | 10 000 A              | 10 000 A              | –                     | –                        | –                        | –                       | –   |
| Rated conditional short-circuit current I <sub>q</sub> (r.m.s.) and corresponding max. allowed cut-off current I <sub>c</sub> . The cut-off current I <sub>c</sub> refers to values listed by fuse manufacturers (single phase test acc. to IEC60269). | I <sub>q</sub> 80kA, ≤415V                                      | I <sub>c</sub>        | 100 kA                | 100 kA                | 100 kA                | 100 kA                | –                        | –                        | –                       | –   |
|  | Max. OFA_fuse size  | gG/aM                 | 1 250 A/1 250 A       | 1 250 A/1 250 A       | 1 250 A/1 250 A       | 1 250 A/1 250 A       | 1 250 A/1 250 A          | –                        | –                       | –   |
|  | I <sub>q</sub> 100kA, 500V                                      | I <sub>c</sub>        | 106 kA                | 106 kA                | 106 kA                | –                     | –                        | –                        | –                       | –   |
|  | Max. OFA_fuse size  | gG/aM                 | 1 250 A/1 250 A       | 1 250 A/1 250 A       | 1 250 A/1 250 A       | –                     | 1 250 A/1 250 A          | –                        | –                       | –   |
| Rated short-time withstand current   | r.m.s. -value I <sub>sw</sub>                                   | 690 V, 0.25 s         | 50 kA                 | 50 kA                 | 50 kA                 | 50 kA                 | 80 kA                    | 80 kA                    | 80 kA                   | 80 kA, 100 kA <sup>5)</sup>                     |
|  |   | 690 V, 1 s            | 50 kA                 | 50 kA                 | 50 kA                 | 50 kA                 | 55 kA                    | 55 kA                    | 65 kA                   | 80 kA   |
| Rated short circuit making capacity  | Peak value I <sub>cm</sub>                                      | 690 V                 | 110 kA <sup>4)</sup>  | 110 kA <sup>4)</sup>  | 110 kA <sup>4)</sup>  | 110 kA <sup>4)</sup>  | 176 kA                   | 176 kA                   | 176 kA                  | 176 kA, 220 kA <sup>5)</sup>                    |
|  | Max. distance from switch frame to nearest busbar/cable support |                       | 150 mm                | 150 mm                | 150 mm                | 150 mm                | 150 mm                   | 150 mm                   | 150 mm                  | 150 mm  |
| Rated capacitor power when no initial charge on the capacitor  | The capacitor ratings are limited by the fuse links             | 415 V                 | 460 kVAr              | 575 kVAr              | 575 kVAr              | 575 kVAr              | –                        | –                        | –                       | –   |
|  |   | 500 V                 | 550 kVAr              | 690 kVAr              | 690 kVAr              | 690 kVAr              | –                        | –                        | –                       | –   |
|  |   | 690 V                 | 750 kVAr              | 950 kVAr              | 950 kVAr              | 950 kVAr              | –                        | –                        | –                       | –   |
| Power loss/pole  | At rated operational current                                    |                       | 19 W                  | 29 W                  | 48 W                  | 48 W                  | 55 W                     | 85 W                     | 95 W                    | 130 W   |
| Mechanical endurance   | Divide by two for operation cycles                              |                       | 6 000 Oper.           | 6 000 Oper.           | 6 000 Oper.           | 6 000 Oper.           | 6 000 Oper.              | 6 000 Oper.              | 5 000 Oper.             | 5 000 Oper.                                     |
| Weight without accessories   | 3-pole  |                       | 14.7 kg               | 14.7 kg               | 16.8 kg               | 16.8 kg               | 24.9 kg                  | 24.9 kg                  | 31.8 kg                 | 36.2 kg   |
|  | 4-pole  |                       | 18.8 kg               | 18.8 kg               | 21.6 kg               | 21.6 kg               | 32.4 kg                  | 32.4 kg                  | 41.5 kg                 | 47.5 kg   |
| Terminal bolt size   | Metric thread diameter x length                                 |                       | M12x50 mm             | M12x50 mm             | M12x60 mm             | M12x60 mm             | M12x60 mm                | M12x60 mm                | M12x60 mm               | M12x60 mm                                       |
| Terminal tightening torque   | Counter torque required   |                       | 50...75 Nm            | 50...75 Nm            | 50...75 Nm            | 50...75 Nm            | 50...75 Nm               | 50...75 Nm               | 50...75 Nm              | 50...75 Nm                                      |
| Operating torque   | 3-pole switch-disconnector                                      |                       | 65 Nm                 | 65 Nm                 | 65 Nm                 | 65 Nm                 | 65 Nm                    | 65 Nm                    | 65 Nm                   | 65 Nm   |

<sup>1)</sup> Acc. to IEC60947-1, § 6.1.1.

<sup>2)</sup> IEC 947-3, utilization category B, infrequent operation.

<sup>3)</sup> Phase barriers or terminal shrouds must be used on both sides of the switch at voltages ≥ 500 V.

<sup>4)</sup> The value is 92 kA for 4-pole switch-disconnectors.

<sup>5)</sup> OT4000E\_w8

# Manual switch-disconnectors OT200...1200, UL

## Technical data for non-fusible disconnect switches

| Switch type   |                                     | OT200U                              | OT400U                   | OT600U                   | OT800U                   | OT1200U                  |                      |         |
|---|-------------------------------------|-------------------------------------|--------------------------|--------------------------|--------------------------|--------------------------|----------------------|---------|
|   | Approval                            | cUL <sub>US</sub> Listed            | cUL <sub>US</sub> Listed | cUL <sub>US</sub> Listed | cUL <sub>US</sub> Listed | cUL <sub>US</sub> Listed |                      |         |
|   | File #                              | E101914                             | E101914                  | E101914                  | E101914                  | E101914                  |                      |         |
|   |                                     | IEC                                 | IEC                      | IEC                      | IEC                      | IEC                      |                      |         |
|   | Compliance                          | UL98                                | UL98                     | UL98                     | UL98                     | UL98                     |                      |         |
|   |                                     | CSA C22.2 No.4                      | CSA C22.2 No.4           | CSA C22.2 No.4           | CSA C22.2 No.4           | CSA C22.2 No.4           |                      |         |
| <b>Technical data according to UL/CSA AC Ratings</b>  |                                     |                                     |                          |                          |                          |                          |                      |         |
| General purpose amp rating  | pf= 0.7...0.8                       | -40° to 40 °C                       | 200 A                    | 400 A                    | 600 A                    | 800 A                    | 1 200 A              |         |
| Max. operating voltage  |                                     |                                     | 600 V                    | 600 V                    | 600 V                    | 600 V                    | 600 V                |         |
| Max. horsepower rating / max. motor FLA current   | pf= 0.4...0.5                       | 240 V                               | 75 HP/192.0 A            | 125 HP/312.0 A           | 200 HP/480 A             | 200 HP/602 A             | -                    |         |
|   |                                     | Three phase                         | 480 V                    | 150 HP/180.0 A           | 250 HP/302.0 A           | 450 HP/515.0 A           | 500 HP/590 A         | -       |
|   |                                     |                                     | 600 V                    | 200 HP/192.0 A           | 350 HP/336.0 A           | 500 HP/472.0 A           | 500 HP/472 A         | -       |
| Short circuit rating with fuse  | Fuse type                           | J                                   | 200 kA                   | 100 kA                   | 100 kA                   | -                        | -                    |         |
|   |                                     | T                                   | -                        | 100 kA                   | -                        | 100 kA                   | -                    |         |
|   | Fuse type                           | RK5                                 | -                        | -                        | -                        | 100 kA                   | -                    |         |
|   |                                     | L                                   | -                        | -                        | -                        | 100 kA                   | 100 kA               | 100 kA  |
| Maximum fuse size   |                                     | 200 A                               | 350 A                    | 600 A                    | 600 A                    | 800 A                    | 800 A                | 1 200 A |
| Current rating  |                                     | at 250 V DC                         | 200 A                    | 400 A                    | 600 A                    | 800 A                    | 800 A                | 1200 A  |
|   |                                     | at 600 V DC                         | 100 A                    | 200 A                    | 200 A                    | -                        | -                    | -       |
| DC horsepower rating for 4-pole switch  |                                     | at 600 V DC                         | 50 HP                    | 50 HP                    | -                        | -                        | -                    |         |
| DC horsepower rating for 2-pole switch  |                                     | at 125 V DC                         | 20 HP                    | -                        | -                        | -                        | -                    |         |
|   |                                     | at 250 V DC                         | 40 HP                    | 50 HP                    | 50 HP                    | -                        | -                    |         |
| DC short circuit rating for 4-pole switch   |                                     | with circuit breaker                | 10 kA                    | 10 kA                    | 10 kA                    | -                        | -                    |         |
| DC short circuit rating for 2-pole switch   |                                     | with circuit breaker                | 14 kA                    | 14 kA                    | 18 kA                    | -                        | -                    |         |
|   |                                     | at 250 V DC                         | -                        | -                        | -                        | -                        | -                    |         |
|   |                                     | with circuit breaker                | 10 kA                    | 10 kA                    | 10 kA                    | -                        | -                    |         |
|   |                                     | at 600 V DC                         | -                        | -                        | -                        | -                        | -                    |         |
|   | with class J fuse                   | 100 kA                              | 100 kA                   | 100 kA                   | -                        | -                        |                      |         |
|   | at 250 V DC                         | -                                   | -                        | -                        | -                        | -                        |                      |         |
|   | ... with fuse size                  | 200 A                               | 400 A                    | 600 A                    | -                        | -                        |                      |         |
| Min. electrical endurance, pf. 0.75...0.8   |                                     | oper. cycles                        | 6 000                    | 1 000                    | 1 000                    | 500                      | 500                  |         |
| Mechanical endurance  |                                     | Divide by two for operation cycles  | 20 000 Oper.             | 16 000 Oper.             | 10 000 Oper.             | 6 000 Oper.              | 6 000 Oper.          |         |
| Terminal lug kits (optional)  |                                     | 75 °C wire                          | OZXA-200                 | OZXA-400                 | OZXA-800                 | OZXA-800/1200            | OZXA-1200            |         |
| Wire range  |                                     |                                     | 4-300MCM AWG             | 2-600MCM AWG             | 2 x 2-600MCM AWG         | 4 x 2-600MCM AWG         | 4 x 2-600MCM AWG     |         |
| Torque  | Wire tightening                     |                                     | 200 lb.in./22.6 Nm       | 375 lb.in./42.4 Nm       | 500 lb.in./56.5 Nm       | 500 lb.in./56.5 Nm       | 500 lb.in./56.5 Nm   |         |
|   | Lug mounting                        |                                     | 72 lb.in./8.1 Nm         | 240 lb.in./27.1 Nm       | 480 lb.in./54.2 Nm       | 443 lb.in./50.1 Nm       | 443 lb.in./50.1 Nm   |         |
| Operating torque 3-pole switch disconnecter   |                                     |                                     | 62 lb.in./7Nm            | 142 lb.in./16Nm          | 239 lb.in./27Nm          | 575 lb.in./65Nm          | 575 lb.in./65Nm      |         |
| Minimum enclosure dimensions at rated current   | Height x Width x                    |                                     | 508x407x178 mm           | 600x350x200 mm           | 600x700x300 mm           | 1220x610x305 mm          | 700x900x400 mm       |         |
|   | Depth                               |                                     | 20.3x16.3x7.1 in         | 24x14x8 in               | 24x28x12 in              | 48.8x24.4x12.2 in        | 28x36x16 in          |         |
| <b>Technical data according to IEC 60947</b>  |                                     |                                     |                          |                          |                          |                          |                      |         |
| Rated insulation voltage and rated operational voltage AC20/DC20  | Pollution degree 3                  |                                     | 1 000 V                  | 1 000 V                  | 1 000 V                  | 1 000 V                  | 1 000 V              |         |
| Dielectric strength   | 50 Hz, 1 min.                       |                                     | 10 kV                    | 10 kV                    | 10 kV                    | 10 kV                    | 10 kV                |         |
| Rated impulse withstand voltage   |                                     |                                     | 12 kV                    | 12 kV                    | 12 kV                    | 12 kV                    | 12 kV                |         |
| Rated operational current, AC-22A   |                                     | up to 415 V                         | 250 A                    | 400 A                    | 800 A                    | 1 600 A                  | 1 600 A              |         |
|   |                                     | 440...500 V                         | 250 A                    | 400 A                    | 800 A                    | 1 600 A                  | 1 600 A              |         |
|   |                                     | 690 V                               | 250 A                    | 400 A                    | 800 A                    | 1 600 A                  | 1 600 A              |         |
|   |                                     |                                     | 250 A                    | 400 A                    | 800 A                    | 1 600 A                  | 1 600 A              |         |
| Rated operational current, AC-23A   |                                     | up to 415 V                         | 250 A                    | 400 A                    | 800 A                    | 1 250 A                  | 1 250 A              |         |
|   |                                     | 440 V                               | 250 A                    | 400 A                    | 800 A                    | 1 250 A                  | 1 250 A              |         |
|   |                                     | 500 V                               | 250 A                    | 400 A                    | 800 A                    | 1 250 A                  | 1 250 A              |         |
|   |                                     | 690 V                               | 250 A                    | 400 A                    | 800 A                    | 1 250 A                  | 1 250 A              |         |
|   |                                     |                                     | 250 A                    | 400 A                    | 800 A                    | 1 250 A                  | 1 250 A              |         |
| Rated conditional short-circuit current I <sub>c</sub> (r.m.s.) and corresponding max. allowed cut-off current $\hat{I}_c$ . The cut-off current $\hat{I}_c$ refers to values listed by fuse manufacturers (single phase test acc. to IEC60269) | Iq 50kA, 690V<br>Max. OFA_fuse size | $\hat{I}_c$                         | 35 kA                    | 50.5 kA                  | 71.5 kA                  | -                        | -                    |         |
|   |                                     | gG/aM                               | 355 A/315 A              | 500 A/500 A              | 800 A/1 000 A            | -                        | -                    |         |
|   |                                     | Iq 80kA, 690V<br>Max. OFA_fuse size | $\hat{I}_c$              | 40.5 kA                  | 59 kA                    | 83.5 kA                  | -                    | -       |
|   |                                     | gG/aM                               | 355 A/315 A              | 500 A/500 A              | 800 A/1 000 A            | -                        | -                    |         |
| Rated short-time withstand current  | r.m.s. -value I <sub>cw</sub>       | 690 V, 1 s                          | 8 kA                     | 15 kA                    | 20 kA                    | 50 kA                    | 50 kA                |         |
| Rated short circuit making capacity   | Peak value I <sub>cm</sub>          | 500/690 V                           | 30 kA                    | 65 kA                    | 80 kA                    | 110 kA <sup>1)</sup>     | 110 kA <sup>1)</sup> |         |
| Max. distance from switch to nearest bus bar / cable support mm   |                                     |                                     | -                        | -                        | -                        | 150 mm                   | 150 mm               |         |
| Power loss / pole   | At rated operational current        |                                     | 6.5 W                    | 10 W                     | 40 W                     | 29 W                     | 48 W                 |         |
| Weight without accessories  | 3-pole                              |                                     | 1.5 kg/3.31 lb           | 3.0 kg/6.61 lb           | 6.3 kg/13.89 lb          | 17.2 kg/37.92 lb         | 17.2 kg/37.92 lb     |         |
|   | 4-pole                              |                                     | 1.9 kg/4.16 lb           | 3.5 kg/7.72 lb           | 8.0 kg/17.64 lb          | 72.2 kg/48.94 lb         | 72.2 kg/48.94 lb     |         |
| Terminal bolt size  | Metric thread diameter x length     |                                     | M8x25 mm                 | M10x30 mm                | M12x40 mm                | M12x50 mm                | M12x60 mm            |         |

<sup>1)</sup> The value is 92 kA for 4-pole switch disconnecter.

## Manual switch-disconnectors OT1600...2000, UL

### Technical data for non fusible disconnect switches

#### Technical data according to UL/CSA†

| Switch type   |                                     | OT1600U                   | OT2000U                   |
|---|-------------------------------------|---------------------------|---------------------------|
| Approval  |                                     | cUL <sub>US</sub> Listed  | cUL <sub>US</sub> Listed  |
| File #  |                                     | E101914                   | E101914                   |
| Compliance  |                                     | UL98                      | UL98                      |
|   |                                     | CSA C22.2 No.4            | CSA C22.2 No.4            |
| General Use AC ratings -40 to +40 °C                    | pf=0.7...0.8 Single and three phase | 1 600 A                   | 2 000 A                   |
| Voltage rating  |                                     | 600 V                     | 600 V                     |
| Maximum General Use DC Ratings                          | 250 V DC                            | 1 600                     | 2 000                     |
| Short circuit rating with fuse                          | Fuse type L                         | 100 kA                    | 100 kA                    |
| Maximum fuse size                                       |                                     | 2 000 A                   | 2 000 A                   |
| Minimum electrical endurance pf. 0.75...0.8             |                                     | 500 Oper.cycles           | 500 Oper.cycles           |
| Mechanical endurance                                    | Divide by two for operation cycles  | 2 500 Oper.               | 2 500 Oper.               |
| Gross/ net weight without handle, shaft and accessories | 2-pole switch                       | 37/34 kg - 81.6/75 lb     | 37/34 kg - 81.6/75 lb     |
|   | 3-pole switch                       | 52/49 kg - 114.6/108 lb   | 52/49 kg - 114.6/108 lb   |
|   | 4-pole switch                       | 69/65 kg - 152.1/143.3 lb | 69/65 kg - 152.1/143.3 lb |
| Standard shaft and mounting depth                       | Square dimension x length of shaft  | 12x185 mm/ 0.47x7.3 in    | 12x185 mm/ 0.47x7.3 in    |
|   | Corresponding mounting depth        | 358-444 mm/ 13.6-16.8 in  | 358-444 mm/ 13.6-16.8 in  |
| Standard handle   |                                     | OHB 274J12 Type           | OHB 274J12 Type           |
| Terminal bolt size                                      | Metric thread diameter x length     | M12x60 mm (included)      | M12x60 mm (included)      |
| Terminal bolt tightening torque                         | Counter torque required             | 50 Nm / 443 lb.in         | 50 Nm / 443 lb.in         |
| Terminal lug kits (optional)                            | 75 °C wire                          | 2x OZXA-1200 Qty / phase  | 2x OZXA-1200 Qty / phase  |
|   |                                     | 2x 4x2-600MCM Wire range  | 2x 4x2-600MCM Wire range  |
| Torque  | Wire tightening                     | 56 Nm / 500 lb.in         | 56 Nm / 500 lb.in         |
|   | Lug mounting                        | 50 Nm / 443 lb.in         | 50 Nm / 443 lb.in         |
| Minimum enclosure dimensions                            | Height x Width x Depth              | 1 000x800x450 mm          | 1 000x800x450 mm          |
|   |                                     | 39.4x31.5x17.7 in         | 39.4x31.5x17.7 in         |

#### Manual switch-disconnectors for 800...1000 V AC applications

| Switch type |  | OT400U -1000  | OT600U -1000             | OT800U -1000             | OT1200U -800             |
|-------------|--|---------------|--------------------------|--------------------------|--------------------------|
| Approval    |  | UL Recognized | cUL <sub>US</sub> Listed | cUL <sub>US</sub> Listed | cUL <sub>US</sub> Listed |
| File #      |  | File E101914  | File E101914             | File E101914             | File E101914             |
| Compliance  |  | UL98          | UL98                     | UL98                     | UL98                     |

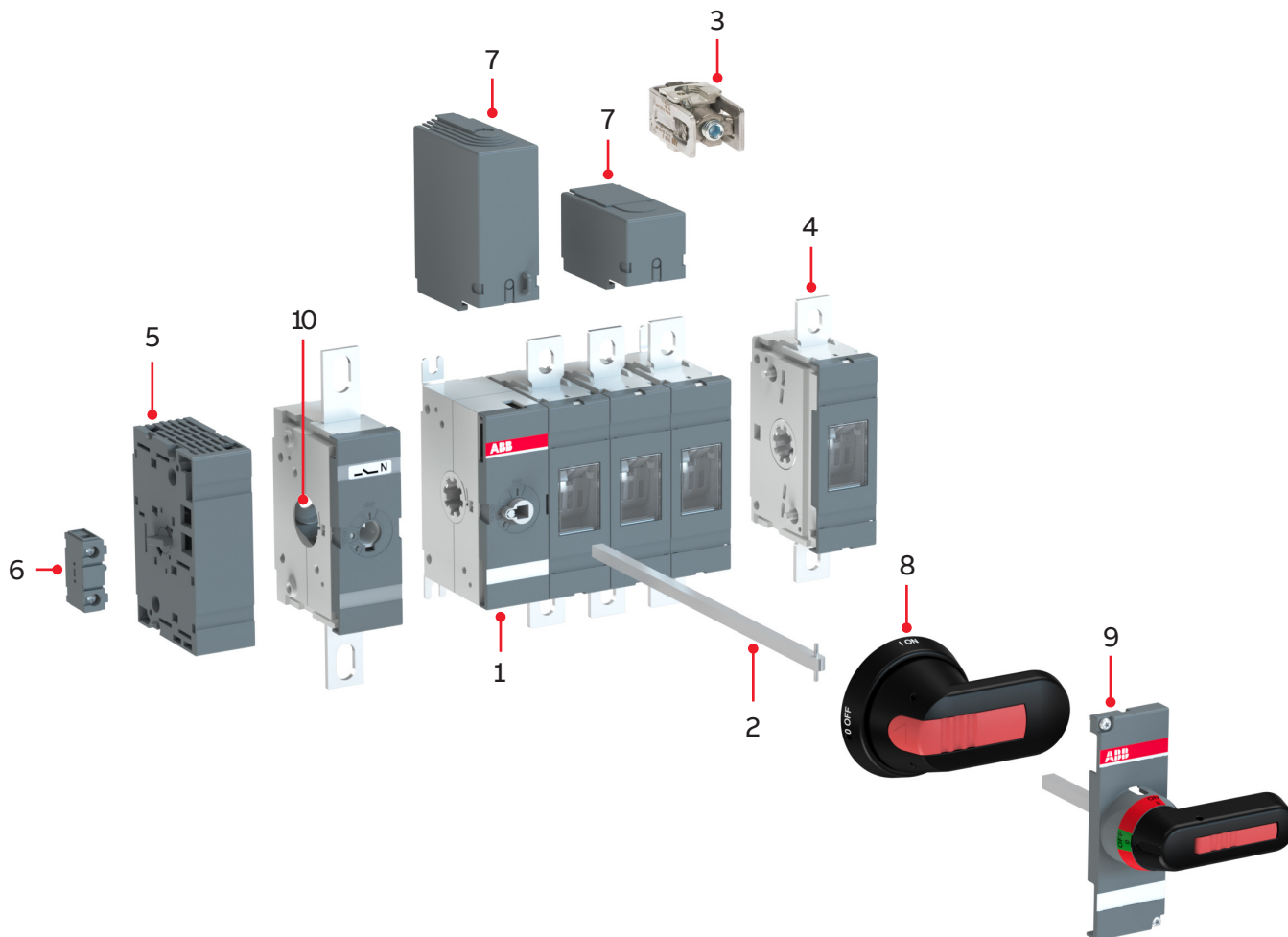
#### Technical data according to UL/CSA AC Ratings

| General purpose amp rating                    | -40° to 40 °C                          | 800 V AC                            | 300 A             | 400 A             | 600 A             | 800 A             |
|---|--|-------------------------------------|-------------------|-------------------|-------------------|-------------------|
|   |  | 1000 V AC                           | 200 A             | 400 A             | 600 A             | -                 |
| Max. Operating voltage                        |  |                                     | 1000 V            | 1000 V            | 1000 V            | 800 V             |
| Short circuit rating                          | Fuse type and size                     |                                     |                   |                   |                   |                   |
|   | Fuse type and size                     | NH3 170M7402 (800V AC, UR approved) | 400A              | 50 kA             | 50 kA             | -                 |
|   | Any circuit breaker or fuse (800V AC)  |                                     |                   | 22 kA             | 30 kA             | 35 kA             |
|   | Any circuit breaker or fuse (1000V AC) |                                     |                   | 22 kA             | 30 kA             | 35 kA             |
| Min. electrical endurance, pf. 0.75...0.8     | oper. cycles                           |                                     | 1 000             | 1 000             | 1 000             | 500               |
| Mechanical endurance                          | Divide by two for operation cycles     |                                     | 16 000 Oper.      | 10 000 Oper.      | 8 000 Oper.       | 6 000 Oper.       |
| Terminal lug kits (optional)                  | 75 °C wire                             | -                                   | OZXA-400          | OZXA-26           | OZXA-800          | OZXA-800          |
| Wire range                                    |  | -                                   | 2-600MCM AWG      | 1x2-600MCM AWG    | 2x2-600MCM AWG    | 2x2-600MCM AWG    |
|   |  | -                                   | -                 | -                 | -                 | OZXA-1200         |
|   |  | -                                   | -                 | -                 | -                 | 4x2-600MCM AWG    |
| Torque  | Wire tightening                        |                                     | 375 lb.in/42.4 Nm | 450 lb.in/56.5 Nm | 500 lb.in/56.5 Nm | 500 lb.in/56.5 Nm |
|   | Lug mounting                           |                                     | 340 lb.in/27.1 Nm | 228 lb.in/54.2 Nm |                   | 480 lb.in/54.2 Nm |
| Minimum enclosure dimensions at rated current | Height x Width x Depth                 |                                     | 600x350x200 mm    | 600x700x200 mm    | 800x600x330 mm    | 800x600x330 mm    |
|   |  |                                     | 24x14x8 in        | 24x28x8 in        | 32x24x13.2 in     | 32x24x13.2 in     |



## Manual switch-disconnectors OT160...4000

### Ordering information



### Accessory guide for OT160EV...1600

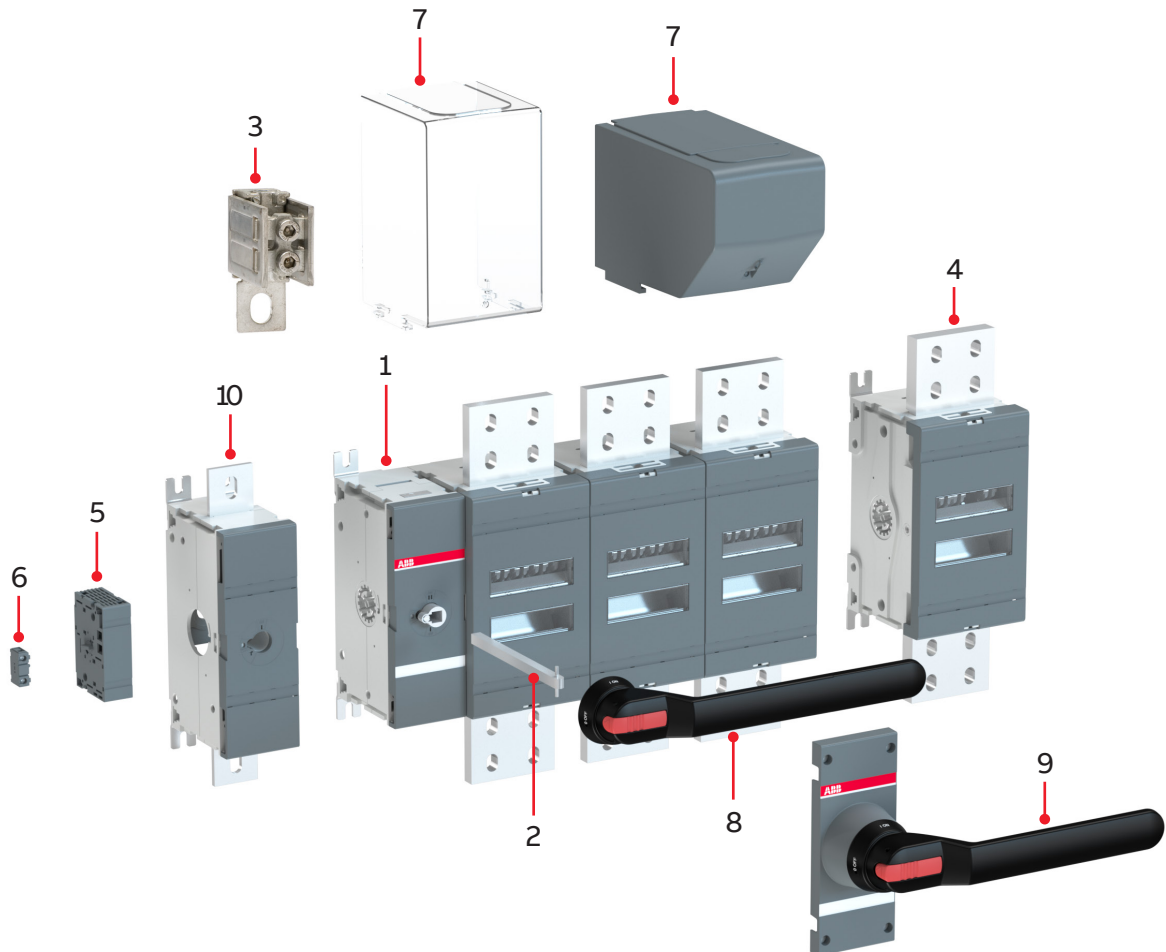
- |                                 |                             |
|---------------------------------|-----------------------------|
| 1. Switch-disconnector          | 7. Terminal shroud          |
| 2. Extended shaft               | 8. Pistol handle            |
| 3. Terminal clamp               | 9. Direct mounting handle   |
| 4. Fourth pole                  | 10. Detachable neutral link |
| 5. Module for auxiliary contact |                             |
| 6. Auxiliary contact            |                             |

Please note that listed accessories are not automatically included in your order.



## Manual switch-disconnectors OT160...4000

### Ordering information



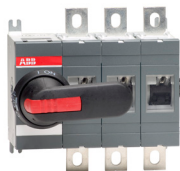
### Accessory guide for OT2000...4000

- |                                 |                             |
|---------------------------------|-----------------------------|
| 1. Switch-disconnector          | 7. Terminal shroud          |
| 2. Extended shaft               | 8. Pistol handle            |
| 3. Terminal clamp               | 9. Direct mounting handle   |
| 4. Fourth pole                  | 10. Detachable neutral link |
| 5. Module for auxiliary contact |                             |
| 6. Auxiliary contact            |                             |

Please note that listed accessories are not automatically included in your order.

## Manual switch-disconnectors OT160...4000, IEC

### Ordering information



OT315...400E03P



OT630...800E03P



OT630...800E04P



OT630...800E12P



OT630...800E22P

### Front operated switch-disconnectors OT160...800, base mounting, IEC

Including a black ON-OFF plastic pistol handle and shaft as standard. The handle is IP65 protected, padlockable in the OFF-position. The door is interlocked when the handle is in ON-position and in OFF-position when the handle is padlocked. The shaft can be adjusted to different installation depths, see mounting depths in page 127.

| Number of poles   | Open air thermal current I <sub>th</sub> | Rated operat. currents AC22A/AC23A 400...415 V | Type        | Order code      | Weight/unit kg |
|-------------------|--|--|-------------|-----------------|----------------|
|                   | A  | A/A  |             |                 |                |
| 3                 | 200                                      | 200/160  | OT160EV03P  | 1SCA120514R1001 | 1.6            |
| 4                 | 200                                      | 200/160  | OT160EV04P  | 1SCA120521R1001 | 2.0            |
| 3                 | 200                                      | 200/160  | OT160EV12P  | 1SCA120529R1001 | 1.6            |
| 4                 | 200                                      | 200/160  | OT160EV22P  | 1SCA120537R1001 | 2.0            |
| 3                 | 200                                      | 200/200  | OT200E03P   | 1SCA022712R0800 | 1.6            |
| 4                 | 200                                      | 200/200  | OT200E04P   | 1SCA022713R4930 | 2.0            |
| 3                 | 200                                      | 200/200  | OT200E12P   | 1SCA022721R3990 | 1.6            |
| 4                 | 200                                      | 200/200  | OT200E22P   | 1SCA022721R4020 | 2.0            |
| 3                 | 250                                      | 250/250  | OT250E03P   | 1SCA022710R0100 | 1.6            |
| 4                 | 250                                      | 250/250  | OT250E04P   | 1SCA022710R0520 | 2.0            |
| 3                 | 250                                      | 250/250  | OT250E12P   | 1SCA022721R4110 | 1.6            |
| 4                 | 250                                      | 250/250  | OT250E22P   | 1SCA022721R4290 | 2.0            |
| 3                 | 315                                      | 315/315  | OT315E03P   | 1SCA022718R8510 | 3.1            |
| 4                 | 315                                      | 315/315  | OT315E04P   | 1SCA022719R1730 | 3.7            |
| 3                 | 315                                      | 315/315  | OT315E12P   | 1SCA022727R4190 | 3.1            |
| 4                 | 315                                      | 315/315  | OT315E22P   | 1SCA022727R4270 | 3.7            |
| 3                 | 400                                      | 400/400  | OT400E03P   | 1SCA022718R8780 | 3.1            |
| 4                 | 400                                      | 400/400  | OT400E04P   | 1SCA022719R1810 | 3.7            |
| 3                 | 400                                      | 400/400  | OT400E12P   | 1SCA022727R5750 | 3.1            |
| 4                 | 400                                      | 400/400  | OT400E22P   | 1SCA022727R5830 | 3.7            |
| 3                 | 630                                      | 630/630  | OT630E03P   | 1SCA022718R8940 | 6.3            |
| 3+N <sup>1)</sup> | 630                                      | 630/630  | OT630E03N3P | 1SCA022779R4860 | 6.7            |
| 4                 | 630                                      | 630/630  | OT630E04P   | 1SCA022719R2030 | 7.5            |
| 3                 | 630                                      | 630/630  | OT630E12P   | 1SCA022753R4790 | 6.3            |
| 4                 | 630                                      | 630/630  | OT630E22P   | 1SCA022753R4870 | 7.5            |
| 3                 | 800                                      | 800/800  | OT800E03P   | 1SCA022718R9410 | 6.3            |
| 3+N <sup>1)</sup> | 800                                      | 800/800  | OT800E03N3P | 1SCA022779R4780 | 6.7            |
| 4                 | 800                                      | 800/800  | OT800E04P   | 1SCA022719R2110 | 7.5            |
| 3                 | 800                                      | 800/800  | OT800E12P   | 1SCA022753R5170 | 6.3            |
| 4                 | 800                                      | 800/800  | OT800E22P   | 1SCA022753R5250 | 7.5            |

<sup>1)</sup> Include a detachable neutral link integrated into the mechanism.

### Shafts, pistol handles and terminal bolt kits included as standard

| Suitable for switches | Shaft     | Handle    | Terminal bolt kit |
|-----------------------|-----------|-----------|-------------------|
| OT160EV...250_P       | OXp6X210  | OHB65J6   | M8x25             |
| OT315...400_P         | OXp12X185 | OHB95J12  | M10x30            |
| OT630...800_P         | OXp12X185 | OHB125J12 | M12x40            |

## Manual switch-disconnectors OT160...4000, IEC

### Ordering information



OT160EV03K  
OT200...250E03K



OT315...400E03K



OT630...800E03K



OT630...800E04K

### Front operated switch-disconnectors OT160...800, base mounting, IEC

Including a black Test-OFF-ON plastic direct mount handle and shaft as standard.  
The handle is padlockable in the OFF-position.

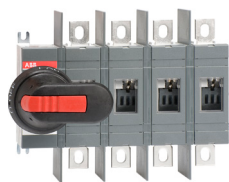
| Number of poles | Open air thermal current I <sub>th</sub> | Rated operat. currents AC22A/AC23A 400...415 V | Type       | Order code      | Weight/unit kg |
|-----------------|--|--|------------|-----------------|----------------|
|                 | A  | A/A  |            |                 |                |
| 3               | 200                                      | 200/160  | OT160EV03K | 1SCA120513R1001 | 1.5            |
| 4               | 200                                      | 200/160  | OT160EV04K | 1SCA120520R1001 | 1.9            |
| 3               | 200                                      | 200/200  | OT200E03K  | 1SCA022763R4820 | 1.5            |
| 4               | 200                                      | 200/200  | OT200E04K  | 1SCA022763R4910 | 1.9            |
| 3               | 250                                      | 250/250  | OT250E03K  | 1SCA022763R5040 | 1.5            |
| 4               | 250                                      | 250/250  | OT250E04K  | 1SCA022763R5210 | 1.9            |
| 3               | 315                                      | 315/315  | OT315E03K  | 1SCA022763R5630 | 2.9            |
| 4               | 315                                      | 315/315  | OT315E04K  | 1SCA022763R5710 | 3.5            |
| 3               | 400                                      | 400/400  | OT400E03K  | 1SCA022763R5390 | 2.9            |
| 4               | 400                                      | 400/400  | OT400E04K  | 1SCA022763R5550 | 3.5            |
| 3               | 630                                      | 630/630  | OT630E03K  | 1SCA022779R4940 | 6.3            |
| 4               | 630                                      | 630/630  | OT630E04K  | 1SCA022779R5080 | 7.5            |
| 3               | 800                                      | 800/800  | OT800E03K  | 1SCA022779R5160 | 6.3            |
| 4               | 800                                      | 800/800  | OT800E04K  | 1SCA022779R5240 | 7.5            |

### Direct mount handles and terminal bolt kits included as standard

| Suitable for switches | Handle   | Terminal bolt kit |
|-----------------------|----------|-------------------|
| OT160EV...250_K       | OTV250EK | M8x25             |
| OT315...400_K         | OTV400EK | M10x30            |
| OT630...800_K         | OTV800EK | M12x40            |

## Manual switch-disconnectors OT160...4000, IEC

### Ordering information



OT160EV04WP  
OT200...250E04WP



OT160EV22WP  
OT200...250E22WP

### Front operated switch-disconnectors OT160...800 with wide phase distance, base mounting, IEC

The phase barriers are mounted as standard. Including a black ON-OFF plastic handle and shaft as standard. The handle is IP65 protected, padlockable in the OFF-position. The door is interlocked when the handle is in ON-position and in OFF-position when the handle is padlocked. The shaft can be adjusted to different installation depths, see mounting depths in page 127.

| Number of poles | Open air thermal current $I_{th}$<br>A | Rated operat. currents<br>AC22A/AC23A<br>400...415 V<br>A/A | Type        | Order code      | Weight/<br>unit |
|-----------------|--|---|-------------|-----------------|-----------------|
|                 |  |   |             |                 | kg              |
| 3               | 200                                    | 200/160   | OT160EV03WP | 1SCA120517R1001 | 1.8             |
| 4               | 200                                    | 200/160   | OT160EV04WP | 1SCA120523R1001 | 2.2             |
| 3               | 200                                    | 200/160   | OT160EV12WP | 1SCA120606R1001 | 1.8             |
| 4               | 200                                    | 200/160   | OT160EV22WP | 1SCA120539R1001 | 2.2             |
| 3               | 200                                    | 200/200   | OT200E03WP  | 1SCA022744R2670 | 1.8             |
| 4               | 200                                    | 200/200   | OT200E04WP  | 1SCA022744R3130 | 2.2             |
| 3               | 200                                    | 200/200   | OT200E12WP  | 1SCA022744R2910 | 1.8             |
| 4               | 200                                    | 200/200   | OT200E22WP  | 1SCA022744R3300 | 2.2             |
| 3               | 250                                    | 250/250   | OT250E03WP  | 1SCA022744R3560 | 1.8             |
| 4               | 250                                    | 250/250   | OT250E04WP  | 1SCA022744R3810 | 2.2             |
| 3               | 250                                    | 250/250   | OT250E12WP  | 1SCA022745R0000 | 1.8             |
| 4               | 250                                    | 250/250   | OT250E22WP  | 1SCA022745R0180 | 2.2             |
| 3               | 315                                    | 315/315   | OT315E03WP  | 1SCA022809R8650 | 3.4             |
| 4               | 315                                    | 315/315   | OT315E04WP  | 1SCA022809R8900 | 4.0             |
| 3               | 315                                    | 315/315   | OT315E12WP  | 1SCA022809R9380 | 3.4             |
| 4               | 315                                    | 315/315   | OT315E22WP  | 1SCA022810R0900 | 4.0             |
| 3               | 400                                    | 400/400   | OT400E03WP  | 1SCA022809R8310 | 3.4             |
| 4               | 400                                    | 400/400   | OT400E04WP  | 1SCA022809R8810 | 4.0             |
| 3               | 400                                    | 400/400   | OT400E12WP  | 1SCA022809R9200 | 3.4             |
| 4               | 400                                    | 400/400   | OT400E22WP  | 1SCA022810R0570 | 4.0             |

### Shafts, pistol handles and terminal bolt kits included as standard

| Suitable for switches | Shaft     | Handle   | Terminal bolt kit |
|-----------------------|-----------|----------|-------------------|
| OT200...250_P         | OXp6X210  | OHB6536  | M8x25             |
| OT315...400_P         | OXp12X185 | OHB95312 | M10x30            |

## Manual switch-disconnectors OT160...4000, IEC

### Ordering information



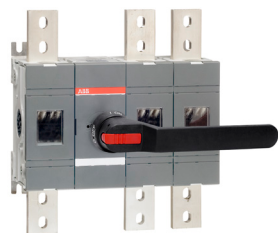
OT1000...1250E03P



OT1000...1250E22P



OT1600E04P



OT1600E12P

### Front operated switch-disconnectors OT1000...4000, base mounting, IEC

Including terminal bolt kit, a black ON-OFF plastic pistol handle and shaft as standard. The handle is IP65 protected and padlockable in the OFF-position. The door is interlocked when the handle is in ON-position and in OFF-position when the handle is padlocked. The shaft can be adjusted to different installation depths, see page 127.

| Number of poles   | Open air thermal current I <sub>th</sub> | Rated operat. currents AC22A/AC23A 400...415 V | Type         | Order code      | Weight/unit kg |
|-------------------|--|--|--------------|-----------------|----------------|
|                   | A  | A/A  |              |                 |                |
| 3                 | 1000                                     | 1000/1000                                      | OT1000E03P   | 1SCA022860R5930 | 17.0           |
| 3+N <sup>1)</sup> | 1000                                     | 1000/1000                                      | OT1000E03N3P | 1SCA100761R1001 | 17.9           |
| 4                 | 1000                                     | 1000/1000                                      | OT1000E04P   | 1SCA022860R6150 | 19.5           |
| 3                 | 1000                                     | 1000/1000                                      | OT1000E12P   | 1SCA022871R5520 | 17.0           |
| 4                 | 1000                                     | 1000/1000                                      | OT1000E22P   | 1SCA022871R5610 | 19.5           |
| 3                 | 1250                                     | 1250/1250                                      | OT1250E03P   | 1SCA022860R6230 | 17.0           |
| 3+N <sup>1)</sup> | 1250                                     | 1250/1250                                      | OT1250E03N3P | 1SCA022865R7060 | 17.9           |
| 4                 | 1250                                     | 1250/1250                                      | OT1250E04P   | 1SCA022860R6310 | 19.5           |
| 3                 | 1250                                     | 1250/1250                                      | OT1250E12P   | 1SCA022871R5790 | 17.0           |
| 4                 | 1250                                     | 1250/1250                                      | OT1250E22P   | 1SCA022871R5870 | 19.5           |
| 3                 | 1600                                     | 1600/1250                                      | OT1600E03P   | 1SCA022860R6580 | 19.0           |
| 3+N <sup>1)</sup> | 1600 <sup>2)</sup>                       | 1600/1250                                      | OT1600E03N3P | 1SCA022865R6920 | 19.9           |
| 4                 | 1600                                     | 1600/1250                                      | OT1600E04P   | 1SCA022860R6740 | 22.0           |
| 3                 | 1600                                     | 1600/1250                                      | OT1600E12P   | 1SCA022871R5950 | 19.0           |
| 4                 | 1600                                     | 1600/1250                                      | OT1600E22P   | 1SCA022871R6090 | 22.0           |

<sup>1)</sup> Include a detachable neutral link integrated into the mechanism.

<sup>2)</sup> I<sub>th</sub> for N-pole =1250 A

### Shafts, pistol handles and terminal bolt kits included as standard

| Suitable for switches | Shaft     | Handle    | Terminal bolt kit |
|-----------------------|-----------|-----------|-------------------|
| OT1000...1250_P       | OXp12X280 | OHB274J12 | M12x50            |
| OT1600_P              | OXp12X280 | OHB274J12 | M12x60            |

## Manual switch-disconnectors OT160...4000, IEC

### Ordering information



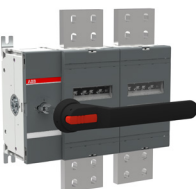
OT2000EC03P



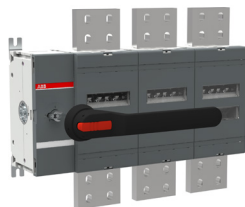
OT2000...2500E03P



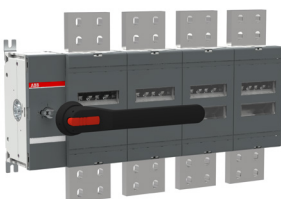
OT2500E12P



OT3200...4000E02P



OT3200...4000E03P



OT3200...4000E04P

### Front operated switch-disconnectors OT1000...4000, base mounting, IEC

Including terminal bolt kit. In OT\_P -types a black ON-OFF plastic handle and shaft as standard. The handle is IP65 protected and padlockable in the OFF-position. The door is interlocked when the handle is in ON-position and in OFF-position when the handle is padlocked. The shaft can be adjusted to different installation depths, see page 127.

| Number of poles  | Open air thermal current I <sub>th</sub> | Rated operat. currents AC22B 400...415 V | Type         | Order code      | Weight/ unit kg |
|--|--|--|--------------|-----------------|-----------------|
|  | A  | A/A                                      |              |                 |                 |
| <b>Handle and shat have to be ordered separately</b>   |  |  |              |                 |                 |
| 2  | 3200                                     | 3200                                     | OT3200E02    | 1SCA128579R1001 | 22.3            |
| 3  | 3200                                     | 3200                                     | OT3200E03    | 1SCA128480R1001 | 29.7            |
| 4  | 3200                                     | 3200                                     | OT3200E04    | 1SCA128479R1001 | 37.1            |
| 3  | 3200                                     | 3200                                     | OT3200E12    | 1SCA128483R1001 | 22.3            |
| 4  | 3200                                     | 3200                                     | OT3200E13    | 1SCA128484R1001 | 29.7            |
| 4  | 3200                                     | 3200                                     | OT3200E22    | 1SCA128485R1001 | 37.1            |
| 2  | 3800                                     | 3800                                     | OT4000E02    | 1SCA128596R1001 | 25.4            |
| 3  | 3800                                     | 3800                                     | OT4000E03    | 1SCA124847R1001 | 33.9            |
| 4  | 3800                                     | 3800                                     | OT4000E04    | 1SCA124855R1001 | 42.7            |
| 3  | 3800                                     | 3800                                     | OT4000E12    | 1SCA128872R1001 | 33.9            |
| 4  | 3800                                     | 3800                                     | OT4000E13    | 1SCA124859R1001 | 42.7            |
| 4  | 3800                                     | 3800                                     | OT4000E22    | 1SCA124865R1001 | 42.5            |
| <b>Handle and shaft are included (see table below)</b> |  |  |              |                 |                 |
| 3  | 2000                                     | 2000                                     | OT2000EC03P  | 1SCA161766R1001 | 19.0            |
| 4  | 2000                                     | 2000                                     | OT2000EC04P  | 1SCA161768R1001 | 22.0            |
| 3  | 2000                                     | 2000                                     | OT2000E03P   | 1SCA108036R1001 | 42.0            |
| 3+N <sup>1)</sup>                                      | 2000 <sup>2)</sup>                       | 2000                                     | OT2000E03N3P | 1SCA108037R1001 | 42.0            |
| 4  | 2000                                     | 2000                                     | OT2000E04P   | 1SCA108038R1001 | 48.0            |
| 3  | 2000                                     | 2000                                     | OT2000E12P   | 1SCA108039R1001 | 42.0            |
| 4  | 2000                                     | 2000                                     | OT2000E22P   | 1SCA108041R1001 | 48.0            |
| 3  | 2500                                     | 2500                                     | OT2500E03P   | 1SCA104972R1001 | 42.0            |
| 3+N <sup>1)</sup>                                      | 2500 <sup>2)</sup>                       | 2500                                     | OT2500E03N3P | 1SCA108035R1001 | 42.0            |
| 4  | 2500                                     | 2500                                     | OT2500E04P   | 1SCA105140R1001 | 49.0            |
| 3  | 2500                                     | 2500                                     | OT2500E12P   | 1SCA104978R1001 | 42.0            |
| 4  | 2500                                     | 2500                                     | OT2500E22P   | 1SCA105156R1001 | 49.0            |
| 2  | 3200                                     | 3200                                     | OT3200E02P   | 1SCA128581R1001 | 23.0            |
| 3  | 3200                                     | 3200                                     | OT3200E03P   | 1SCA128481R1001 | 30.7            |
| 4  | 3200                                     | 3200                                     | OT3200E04P   | 1SCA128482R1001 | 38.1            |
| 3  | 3200                                     | 3200                                     | OT3200E12P   | 1SCA128486R1001 | 30.7            |
| 4  | 3200                                     | 3200                                     | OT3200E13P   | 1SCA128487R1001 | 38.1            |
| 4  | 3200                                     | 3200                                     | OT3200E22P   | 1SCA128488R1001 | 38.1            |
| 2  | 3800                                     | 3800                                     | OT4000E02P   | 1SCA128595R1001 | 26.0            |
| 3  | 3800                                     | 3800                                     | OT4000E03P   | 1SCA124848R1001 | 34.9            |
| 4  | 3800                                     | 3800                                     | OT4000E04P   | 1SCA124856R1001 | 43.7            |
| 3  | 3800                                     | 3800                                     | OT4000E12P   | 1SCA124852R1001 | 34.9            |
| 4  | 3800                                     | 3800                                     | OT4000E13P   | 1SCA124861R1001 | 43.7            |
| 4  | 3800                                     | 3800                                     | OT4000E22P   | 1SCA124869R1001 | 43.7            |

<sup>1)</sup> Include a detachable neutral link integrated into the mechanism.

<sup>2)</sup> I<sub>th</sub> for N-pole = 1250 A

### Recommended shafts, pistol handles and terminal bolt kits

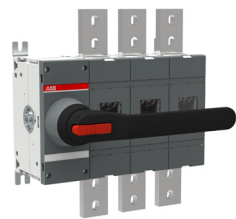
| Suitable for switches  | Shaft    | Handle    | Terminal bolt kits (included as standard) |
|------------------------|----------|-----------|---|
| OT2000...2500_P        | OX12X280 | OH1274J12 | M12x60                                    |
| OT3200...4000E02...04  | -        | -         | M12x60                                    |
| OT3200...4000E02...04P | OX12X280 | OH1274J12 | M12x60                                    |

## Manual switch-disconnectors OT160...4000, IEC

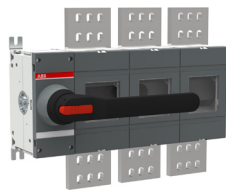
### Ordering information



OT1250E04K



OT1600E03K



OT2500E03K

### Front operated switch-disconnectors OT1000...4000, base mounting, IEC

Including a black Test-OFF-ON plastic direct mount handle and shaft as standard.  
The handle is padlockable in the OFF-position.

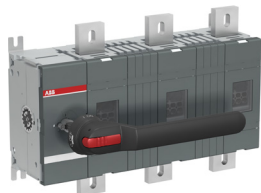
| Number of poles | Open air thermal current I <sub>th</sub> | Rated operat. currents AC22A/AC23A 400...415 V | Type       | Order code      | Weight/unit kg |
|-----------------|--|--|------------|-----------------|----------------|
|                 | A  | A/A  |            |                 |                |
| 3               | 1000                                     | 1000/1000                                      | OT1000E03K | 1SCA108353R1001 | 17.5           |
| 4               | 1000                                     | 1000/1000                                      | OT1000E04K | 1SCA108355R1001 | 21.5           |
| 3               | 1250                                     | 1250/1250                                      | OT1250E03K | 1SCA108356R1001 | 17.5           |
| 4               | 1250                                     | 1250/1250                                      | OT1250E04K | 1SCA108357R1001 | 21.5           |
| 3               | 1600                                     | 1600/1250                                      | OT1600E03K | 1SCA108352R1001 | 18.5           |
| 4               | 1600                                     | 1600/1250                                      | OT1600E04K | 1SCA108358R1001 | 21.5           |
| 3               | 2000                                     | 2000/-   | OT2000E03K | 1SCA108359R1001 | 42.3           |
| 4               | 2000                                     | 2000/-   | OT2000E04K | 1SCA108362R1001 | 47.8           |
| 3               | 2500                                     | 2500/-   | OT2500E03K | 1SCA108361R1001 | 42.3           |
| 4               | 2500                                     | 2500/-   | OT2500E04K | 1SCA108363R1001 | 48.8           |

### Direct mount handles and terminal bolt kits included as standard

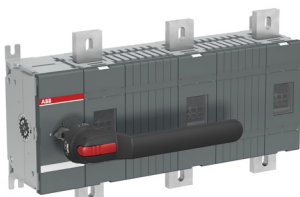
| Suitable for switches | Handle    | Terminal bolt kit |
|-----------------------|-----------|-------------------|
| OT1000...1250_K       | OTV1000EK | M12x50            |
| OT1600_K              | OTV1000EK | M12x60            |
| OT2000...2500_K       | OTV1000EK | M12x60            |

## Manual switch-disconnectors OT160...4000, IEC

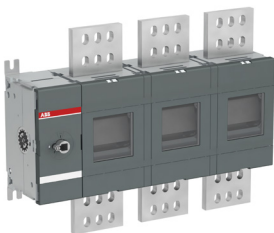
### Ordering information



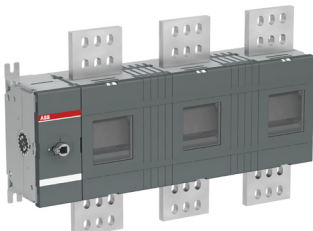
OT1000...1250E03W4P



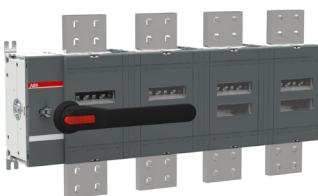
OT1000...1250E03W8P



OT2000...2500E03W4



OT2000...2500E03W8



OT3200...4000E03W8

### Front operated switch-disconnectors OT1000...4000 with wide phase distance, base mounting, IEC

Including a black ON-OFF plastic handle and shaft as standard. The handle is IP65 protected and padlockable in the OFF-position. The door is interlocked when the handle is in ON-position and in OFF-position when the handle is padlocked. The shaft can be adjusted to different installation depths, see page 127.

W4 = Phase distance 140 mm, W8 = Phase distance 185 mm

| Number of poles | Open air thermal current I <sub>th</sub><br>A | Rated operat. currents<br>AC22A/AC23A<br>400...415 V<br>A/A | Type         | Order code      | Weight/<br>unit |
|-----------------|---|---|--------------|-----------------|-----------------|
|                 |   |   |              |                 | kg              |
| 3               | 1000  | 1000/1000   | OT1000E03W4P | 1SCA022871R7310 | 19.8            |
| 4               | 1000  | 1000/1000   | OT1000E04W4P | 1SCA100762R1001 | 24.0            |
| 3               | 1000  | 1000/1000   | OT1000E03W8P | 1SCA022871R8110 | 22.0            |
| 3               | 1250  | 1250/1250   | OT1250E03W4P | 1SCA022866R1920 | 19.8            |
| 4               | 1250  | 1250/1250   | OT1250E04W4P | 1SCA022866R2220 | 24.0            |
| 3               | 1250  | 1250/1250   | OT1250E03W8P | 1SCA022871R8540 | 22.0            |
| 3               | 1600  | 1600/1250   | OT1600E03W4P | 1SCA022865R9860 | 22.0            |
| 4               | 1600  | 1600/1250   | OT1600E04W4P | 1SCA022866R1090 | 26.0            |
| 3               | 1600  | 1600/1250   | OT1600E03W8P | 1SCA022871R8970 | 24.0            |
| 3               | 2000  | 2000/*  | OT2000E03W4P | 1SCA108042R1001 | 42.0            |
| 4               | 2000  | 2000/*  | OT2000E13W4P | 1SCA109284R1001 | 48.0            |
| 3               | 2000  | 2000/*  | OT2000E03W8P | 1SCA108045R1001 | 42.0            |
| 4               | 2000  | 2000/*  | OT2000E13W8P | 1SCA109283R1001 | 48.0            |
| 3               | 2500  | 2500/*  | OT2500E03W4P | 1SCA108047R1001 | 49.0            |
| 4               | 2500  | 2500/*  | OT2500E13W4P | 1SCA109285R1001 | 49.0            |
| 3               | 2500  | 2500/*  | OT2500E03W8P | 1SCA108049R1001 | 49.0            |
| 4               | 2500  | 2500/*  | OT2500E13W8P | 1SCA109286R1001 | 49.0            |
| 3               | 3200  | 3200/*  | OT3200E03W8P | 1SCA128599R1001 | 31.0            |
| 4               | 3200  | 3200/*  | OT3200E04W8P | 1SCA128682R1001 | 39.0            |
| 3               | 4000  | 4000/*  | OT4000E03W8P | 1SCA128687R1001 | 35.5            |
| 4               | 4000  | 4000/*  | OT4000E04W8P | 1SCA128666R1001 | 44.0            |

\*) AC22B

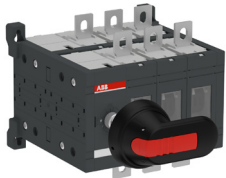
### Shafts, pistol handles and terminal bolt kits included as standard

| Suitable for switches | Shaft     | Handle    | Terminal bolt kit |
|-----------------------|-----------|-----------|-------------------|
| OT1000...1250_P       | OXP12X280 | OHB274J12 | M12X50            |
| OT3200...4000E_       | OXP12X280 | OHB274J12 | M12X60            |
| OT3200...4000E_P      | OXP12X280 | OHB274J12 | M12X60            |

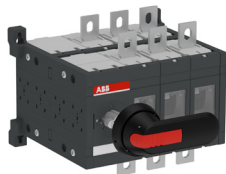


# Manual switch-disconnectors OT160...800E\_DP, IEC

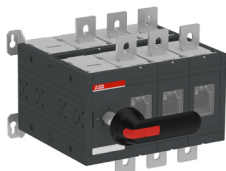
## Ordering information



OT250E03DP



OT400E03DP



OT800E03DP

### Manual 6- and 8-pole switch-disconnectors OT160...800\_DP, IEC

Front operated 6- and 8-pole switch-disconnectors OT160...800, base mounting, IEC.

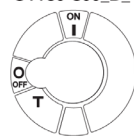
Including a black ON-OFF plastic pistol handle with extension and shaft as standard

The handle is IP65 protected, padlockable in the OFF-position. The door is interlocked when the handle is in ON-position and in OFF-position when the handle is padlocked. The shaft can be adjusted to different installation depths.

When the switch is maneuvered, both switches are operated at same time, and the operating handle has two positions, O - I

| Number of poles | Open air thermal current I <sub>th</sub> | Rated operat. currents AC22A/AC23A 400...415 V | Type       | Order code      | Weight/unit kg |
|-----------------|--|--|------------|-----------------|----------------|
|                 | A  | A/A  |            |                 |                |
| 6               | 200                                      | 200/160  | OT160E03DP | 1SCA107188R1001 | 2.6            |
| 8               | 200                                      | 200/160  | OT160E04DP | 1SCA107220R1001 | 3.8            |
| 6               | 200                                      | 200/200  | OT200E03DP | 1SCA107189R1001 | 2.6            |
| 8               | 200                                      | 200/200  | OT200E04DP | 1SCA107221R1001 | 3.8            |
| 6               | 250                                      | 250/250  | OT250E03DP | 1SCA107190R1001 | 2.6            |
| 8               | 250                                      | 250/250  | OT250E04DP | 1SCA107222R1001 | 3.8            |
| 6               | 315                                      | 315/315  | OT315E03DP | 1SCA107314R1001 | 6.1            |
| 8               | 315                                      | 315/315  | OT315E04DP | 1SCA107326R1001 | 7.6            |
| 6               | 400                                      | 400/400  | OT400E03DP | 1SCA107315R1001 | 6.1            |
| 8               | 400                                      | 400/400  | OT400E04DP | 1SCA107327R1001 | 7.6            |
| 6               | 630                                      | 630/630  | OT630E03DP | 1SCA113346R1001 | 15.4           |
| 8               | 630                                      | 630/630  | OT630E04DP | 1SCA113350R1001 | 18.5           |
| 6               | 800                                      | 800/800  | OT800E03DP | 1SCA113347R1001 | 15.4           |
| 8               | 800                                      | 800/800  | OT800E04DP | 1SCA113351R1001 | 18.5           |

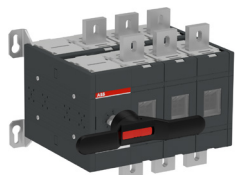
OT160-800\_D\_



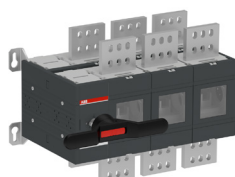


## Manual switch-disconnectors OT1000...2500E\_DDP, IEC

### Ordering information



OT1000E03DDP



OT2500E03DDP

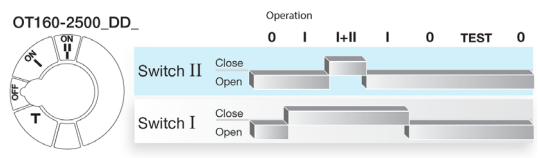
### Manual 6- and 8-pole switches OT1000...2500\_DDP, IEC

Front operated 6- and 8-pole switches OT1000...2500, base mounting, IEC.

Including a black ON-OFF plastic pistol handle with handle extension and shaft as standard. The handle is IP65 protected, padlockable in the OFF-position. The door is interlocked when the handle is in ON-position and in OFF-position when the handle is padlocked. The shaft can be adjusted to different installation depths.

When the switch is maneuvered, the operation function is divided into two stages. Only one switch is operated at a time, and the operating handle has three positions, O - I - I + II

| Number of poles | Open air thermal current I <sub>th</sub> | Rated operat. currents AC22A/AC23A 400...415 V | Type         | Order code      | Weight/unit |
|-----------------|--|--|--------------|-----------------|-------------|
|                 | A  | A/A  |              |                 | kg          |
| 6               | 1000                                     | 1000/1000                                      | OT1000E03DDP | 1SCA117172R1001 | 36.0        |
| 8               | 1000                                     | 1000/1000                                      | OT1000E04DDP | 1SCA117175R1001 | 42.5        |
| 6               | 1250                                     | 1250/1250                                      | OT1250E03DDP | 1SCA117173R1001 | 36.0        |
| 8               | 1250                                     | 1250/1250                                      | OT1250E04DDP | 1SCA117176R1001 | 42.5        |
| 6               | 1600                                     | 1600/1250                                      | OT1600E03DDP | 1SCA117174R1001 | 47.9        |
| 8               | 1600                                     | 1600/1250                                      | OT1600E04DDP | 1SCA117177R1001 | 49.1        |
| 6               | 2000                                     | 2000/-   | OT2000E03DDP | 1SCA117291R1001 | 55.8        |
| 8               | 2000                                     | 2000/-   | OT2000E04DDP | 1SCA117294R1001 | 68.8        |
| 6               | 2500                                     | 2500/-   | OT2500E03DDP | 1SCA117292R1001 | 55.8        |
| 8               | 2500                                     | 2500/-   | OT2500E04DDP | 1SCA117293R1001 | 68.8        |



## Manual switch-disconnectors OT160...4000, IEC

Ordering information for side operated switch-disconnectors



OT160EVS04K  
OT200...250ES04K



OT630...800ES03K



OT630...800ES04



OT630...800ES04K

### Side operated switch-disconnectors, base mounting, IEC

Including terminal bolt kit. In OT\_K-types a black ON-OFF direct mount handle as standard. The handle is padlockable in the OFF-position.

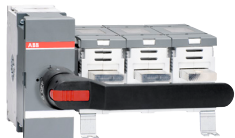
| Number of poles                            | Open air thermal current I <sub>th</sub> |     | Rated operat. currents AC22A/AC23A 400...415 V | Type        | Order code      | Weight/unit kg |
|--|--|-----|--|-------------|-----------------|----------------|
|  | A  | A/A |  |             |                 |                |
| <b>Handle has to be ordered separately</b> |  |     |  |             |                 |                |
| 3  | 200                                      |     | 200/160  | OT160EVS03  | 1SCA120563R1001 | 1.8            |
| 4  | 200                                      |     | 200/160  | OT160EVS04  | 1SCA120564R1001 | 2.2            |
| 3  | 200                                      |     | 200/200  | OT200ES03   | 1SCA022860R0200 | 1.8            |
| 4  | 200                                      |     | 200/200  | OT200ES04   | 1SCA022860R0540 | 2.2            |
| 3  | 250                                      |     | 250/250  | OT250ES03   | 1SCA022860R0890 | 1.8            |
| 4  | 250                                      |     | 250/250  | OT250ES04   | 1SCA022860R1010 | 2.2            |
| 3  | 315                                      |     | 315/315  | OT315ES03   | 1SCA022860R1270 | 3.4            |
| 4  | 315                                      |     | 315/315  | OT315ES04   | 1SCA022860R1510 | 4.0            |
| 3  | 400                                      |     | 400/400  | OT400ES03   | 1SCA022860R1780 | 3.4            |
| 4  | 400                                      |     | 400/400  | OT400ES04   | 1SCA022860R1940 | 4.0            |
| 3  | 630                                      |     | 630/630  | OT630ES03   | 1SCA022860R2240 | 7.0            |
| 4  | 630                                      |     | 630/630  | OT630ES04   | 1SCA022860R2410 | 8.2            |
| 3  | 800                                      |     | 800/800  | OT800ES03   | 1SCA022860R2670 | 7.0            |
| 4  | 800                                      |     | 800/800  | OT800ES04   | 1SCA022860R2830 | 8.2            |
| <b>Direct mount handle included</b>        |  |     |  |             |                 |                |
| 3  | 200                                      |     | 200/160  | OT160EVS03K | 1SCA120570R1001 | 1.9            |
| 4  | 200                                      |     | 200/160  | OT160EVS04K | 1SCA120565R1001 | 2.3            |
| 3  | 200                                      |     | 200/200  | OT200ES03K  | 1SCA022860R0620 | 1.9            |
| 4  | 200                                      |     | 200/200  | OT200ES04K  | 1SCA022860R0710 | 2.3            |
| 3  | 250                                      |     | 250/250  | OT250ES03K  | 1SCA022860R0970 | 1.9            |
| 4  | 250                                      |     | 250/250  | OT250ES04K  | 1SCA022860R1190 | 2.3            |
| 3  | 315                                      |     | 315/315  | OT315ES03K  | 1SCA022860R1350 | 3.5            |
| 4  | 315                                      |     | 315/315  | OT315ES04K  | 1SCA022860R1600 | 4.1            |
| 3  | 400                                      |     | 400/400  | OT400ES03K  | 1SCA022860R1860 | 3.5            |
| 4  | 400                                      |     | 400/400  | OT400ES04K  | 1SCA022860R2080 | 4.1            |
| 3  | 630                                      |     | 630/630  | OT630ES03K  | 1SCA022860R2320 | 7.0            |
| 4  | 630                                      |     | 630/630  | OT630ES04K  | 1SCA022860R2590 | 8.4            |
| 3  | 800                                      |     | 800/800  | OT800ES03K  | 1SCA022860R2750 | 7.2            |
| 4  | 800                                      |     | 800/800  | OT800ES04K  | 1SCA022860R2910 | 8.4            |

### Terminal bolt kits included as standard

| Suitable for switches | Terminal bolt kit |
|-----------------------|-------------------|
| OT160EV...250         | M8x25             |
| OT315...400           | M10x30            |
| OT630...800           | M12x40            |

## Manual switch-disconnectors OT160...4000, IEC

### Ordering information for earthing switches



OT1000...1250EM03P



OT2000...2500EM03P

#### Front operated earthing switches, bottom mounted (EM), IEC

Including terminal bolt kit, a black OFF -  $\perp$  plastic handle and shaft as standard.

The handle is padlockable in OFF- and  $\perp$  -position.

The mechanism is turned 90 degrees for space saving. Max. number of operations 1200.

$I_{cw}$  = Rated short-time withstand current,  $I_{cm}$  = Rated short-circuit making capacity

| Number of poles  | $I_{cw} / 1\text{ s}$<br>kA | $I_{cw} / 0.25\text{ s}$<br>kA | $I_{cm}$ peak<br>kA | Type        | Order code      | Weight/<br>unit |
|--|-----------------------------|--------------------------------|---------------------|-------------|-----------------|-----------------|
|  |                             |                                |                     |             |                 | kg              |
| <b><math>I_{cw} / 1\text{ s} = 50\text{ kA}</math>, <math>I_{cm} = 110\text{ kA}</math> (peak)</b>   |                             |                                |                     |             |                 |                 |
| 3  | 50                          | 50                             | 110                 | OT1000EM03P | 1SCA118937R1001 | 17.5            |
| 4  | 50                          | 50                             | 92                  | OT1000EM04P | 1SCA118950R1001 | 20.0            |
| 3  | 50                          | 50                             | 110                 | OT1250EM03P | 1SCA115708R1001 | 17.5            |
| 4  | 50                          | 50                             | 92                  | OT1250EM04P | 1SCA118949R1001 | 20.0            |
| 3  | 50                          | 50                             | 110                 | OT1600EM03P | 1SCA115815R1001 | 19.5            |
| 4  | 50                          | 50                             | 92                  | OT1600EM04P | 1SCA118948R1001 | 22.5            |
| <b><math>I_{cw} / 1\text{ s} = 55\text{ kA}</math>, <math>I_{cw} / 0.25\text{ s} = 80\text{ kA}</math>, <math>I_{cm} = 176\text{ kA}</math> (peak)</b> |                             |                                |                     |             |                 |                 |
| 3  | 55                          | 80                             | 176                 | OT2000EM03P | 1SCA118939R1001 | 42.5            |
| 4  | 55                          | 80                             | 176                 | OT2000EM04P | 1SCA118947R1001 | 49.5            |
| 3  | 55                          | 80                             | 176                 | OT2500EM03P | 1SCA115835R1001 | 42.5            |
| 4  | 55                          | 80                             | 176                 | OT2500EM04P | 1SCA118946R1001 | 49.5            |

#### Front operated earthing switches with wide phase distance, bottom mounted (EM), IEC

Including terminal bolt kit, a black OFF -  $\perp$  plastic handle and shaft as standard.

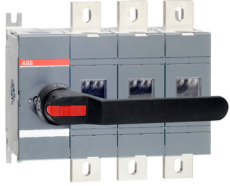
The handle is padlockable in OFF- and  $\perp$  -position. W4=140 mm, W8=185 mm.

The mechanism is turned 90 degrees for space saving. Max. number of operations 1200.

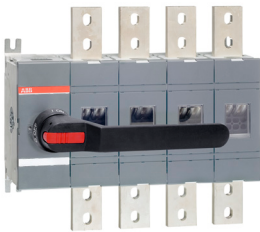
| Number of poles  | $I_{cw} / 1\text{ s}$<br>kA | $I_{cw} / 0.25\text{ s}$<br>kA | $I_{cm}$ peak<br>kA | Type          | Order code      | Weight/<br>unit |
|--|-----------------------------|--------------------------------|---------------------|---------------|-----------------|-----------------|
|  |                             |                                |                     |               |                 | kg              |
| <b><math>I_{cw} / 1\text{ s} = 50\text{ kA}</math>, <math>I_{cm} = 110\text{ kA}</math> (peak)</b>   |                             |                                |                     |               |                 |                 |
| 3  | 50                          | 50                             | 110                 | OT1250EM03W4P | 1SCA115805R1001 | 20.5            |
| 3  | 50                          | 50                             | 110                 | OT1250EM03W8P | 1SCA115810R1001 | 22.5            |
| 4  | 50                          | 50                             | 92                  | OT1250EM04W4P | 1SCA118940R1001 | 24.5            |
| 4  | 50                          | 50                             | 92                  | OT1250EM04W8P | 1SCA118941R1001 | 26.5            |
| 3  | 50                          | 50                             | 110                 | OT1600EM03W4P | 1SCA115822R1001 | 20.5            |
| 3  | 50                          | 50                             | 110                 | OT1600EM03W8P | 1SCA115827R1001 | 22.5            |
| 4  | 50                          | 50                             | 92                  | OT1600EM04W4P | 1SCA118942R1001 | 24.5            |
| 4  | 50                          | 50                             | 92                  | OT1600EM04W8P | 1SCA118944R1001 | 26.5            |
| <b><math>I_{cw} / 1\text{ s} = 55\text{ kA}</math>, <math>I_{cw} / 0.25\text{ s} = 80\text{ kA}</math>, <math>I_{cm} = 176\text{ kA}</math> (peak)</b> |                             |                                |                     |               |                 |                 |
| 3  | 55                          | 80                             | 176                 | OT2500EM03W4P | 1SCA115840R1001 | 45.0            |
| 3  | 55                          | 80                             | 176                 | OT2500EM03W8P | 1SCA115843R1001 | 47.0            |
| 4  | 55                          | 80                             | 176                 | OT2500EM04W4P | 1SCA118943R1001 | 52.0            |
| 4  | 55                          | 80                             | 176                 | OT2500EM04W8P | 1SCA118945R1001 | 54.0            |

## Manual switch-disconnectors OT160...4000, IEC

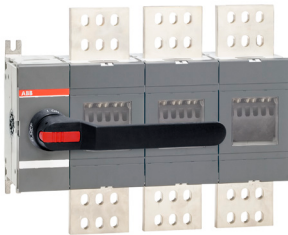
Ordering information for earthing switches



OT1000...1250EP03P



OT1600EP04P



OT2000...2500EP03P

### Front operated earthing switches, base mounted (EP), IEC

Including terminal bolt kit, a black OFF -  $\perp$  plastic handle and shaft as standard. The handle is padlockable in OFF- and  $\perp$  -position. Max. number of operations 1200.

$I_{cw}$  = Rated short-time withstand current,  $I_{cm}$  = Rated short-circuit making capacity

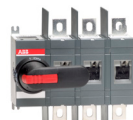
| Number of poles  | $I_{cw} / 1\text{ s}$<br>kA | $I_{cw} / 0.25\text{ s}$<br>kA | $I_{cm}$<br>peak<br>kA | Type        | Order code      | Weight/<br>unit |
|--|-----------------------------|--------------------------------|------------------------|-------------|-----------------|-----------------|
|  |                             |                                |                        |             |                 | kg              |
| <b><math>I_{cw} / 1\text{ s} = 50\text{ kA}, I_{cm} = 110\text{ kA (peak)}</math></b>  |                             |                                |                        |             |                 |                 |
| 3  | 50                          | 50                             | 110                    | OT1000EP03P | 1SCA118451R1001 | 17.0            |
| 4  | 50                          | 50                             | 92                     | OT1000EP04P | 1SCA118452R1001 | 19.5            |
| 3  | 50                          | 50                             | 110                    | OT1250EP03P | 1SCA118453R1001 | 17.0            |
| 4  | 50                          | 50                             | 92                     | OT1250EP04P | 1SCA118454R1001 | 19.5            |
| 3  | 50                          | 50                             | 110                    | OT1600EP03P | 1SCA118455R1001 | 19.0            |
| 4  | 50                          | 50                             | 92                     | OT1600EP04P | 1SCA118456R1001 | 22.0            |
| <b><math>I_{cw} / 1\text{ s} = 55\text{ kA}, I_{cw} / 0.25\text{ s} = 80\text{ kA}, I_{cm} = 176\text{ kA (peak)}</math></b> |                             |                                |                        |             |                 |                 |
| 3  | 55                          | 80                             | 176                    | OT2000EP03P | 1SCA118457R1001 | 42.0            |
| 4  | 55                          | 80                             | 176                    | OT2000EP04P | 1SCA118458R1001 | 49.0            |
| 3  | 55                          | 80                             | 176                    | OT2500EP03P | 1SCA118459R1001 | 42.0            |
| 4  | 55                          | 80                             | 176                    | OT2500EP04P | 1SCA118460R1001 | 49.0            |

## Manual switch-disconnectors OT200...2000, UL

Ordering information for non-fusible disconnect switches



OT200U03P



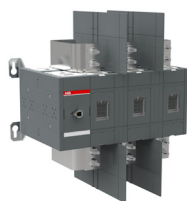
OT400U03P



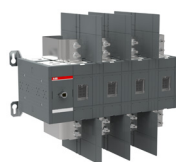
OT600U04P



OT800...1200U03P



OT1600...2000U03



OT1600...2000U04

### Front operated non-fusible disconnect switches, base mounting, UL/CSA

Handle and shaft need to be ordered separately. Terminal bolts are included.

| Number of poles  | Ampere rating, 600 V AC | Horsepower rating 3-phase |             |             | Type      | Order code      | Weight/unit |       |
|--|-------------------------|---------------------------|-------------|-------------|-----------|-----------------|-------------|-------|
|  | A                       | 240 V AC HP               | 480 V AC HP | 600 V AC HP |           |                 | kg          | lb    |
| <b>Handle (NEMA 1, 3R, 12, IP65) and shaft have to be ordered separately</b> |                         |                           |             |             |           |                 |             |       |
| 3  | 200                     | 75                        | 150         | 200         | OT200U03  | 1SCA022723R0220 | 1.6         | 3.5   |
| 4  | 200                     | 75                        | 150         | 200         | OT200U04  | 1SCA022723R0490 | 2.0         | 4.4   |
| 3  | 200                     | 75                        | 150         | 200         | OT200U12  | 1SCA022752R1890 | 1.6         | 3.5   |
| 4  | 200                     | 75                        | 150         | 200         | OT200U22  | 1SCA022741R8960 | 2.0         | 4.4   |
| 3  | 400                     | 125                       | 250         | 350         | OT400U03  | 1SCA022747R6490 | 3.0         | 6.6   |
| 4  | 400                     | 125                       | 250         | 350         | OT400U04  | 1SCA022748R1060 | 3.6         | 7.9   |
| 3  | 400                     | 125                       | 250         | 350         | OT400U12  | 1SCA022754R6450 | 3.0         | 6.6   |
| 4  | 400                     | 125                       | 250         | 350         | OT400U22  | 1SCA022762R7110 | 3.6         | 7.9   |
| 3  | 600                     | 200                       | 450         | 500         | OT600U03  | 1SCA022798R0730 | 6.2         | 13.7  |
| 4  | 600                     | 200                       | 450         | 500         | OT600U04  | 1SCA022800R1750 | 7.5         | 16.5  |
| 3  | 600                     | 200                       | 450         | 500         | OT600U12  | 1SCA022800R1830 | 6.2         | 13.7  |
| 4  | 600                     | 200                       | 450         | 500         | OT600U22  | 1SCA022800R2130 | 7.5         | 16.5  |
| 3  | 800                     | 250                       | 500         | 500         | OT800U03  | 1SCA105635R1001 | 18          | 39.7  |
| 4  | 800                     | 250                       | 500         | 500         | OT800U04  | 1SCA105636R1001 | 21          | 46.3  |
| 3  | 800                     | 250                       | 500         | 500         | OT800U12  | 1SCA105637R1001 | 18          | 39.7  |
| 4  | 800                     | 250                       | 500         | 500         | OT800U22  | 1SCA105639R1001 | 21          | 46.3  |
| 3  | 1200                    | -                         | -           | -           | OT1200U03 | 1SCA022860R6820 | 18          | 39.7  |
| 4  | 1200                    | -                         | -           | -           | OT1200U04 | 1SCA022860R7040 | 21          | 46.3  |
| 3  | 1200                    | -                         | -           | -           | OT1200U12 | 1SCA105659R1001 | 18          | 39.7  |
| 4  | 1200                    | -                         | -           | -           | OT1200U22 | 1SCA105663R1001 | 21          | 46.3  |
| 2  | 1600                    |                           |             |             | OT1600U02 | 1SCA144197R1001 | 37          | 81.6  |
| 3  | 1600                    |                           |             |             | OT1600U03 | 1SCA144198R1001 | 52          | 114.6 |
| 4  | 1600                    |                           |             |             | OT1600U04 | 1SCA144199R1001 | 69          | 152.1 |
| 3  | 1600                    |                           |             |             | OT1600U12 | 1SCA144200R1001 | 52          | 114.6 |
| 4  | 1600                    |                           |             |             | OT1600U13 | 1SCA144201R1001 | 69          | 152.1 |
| 4  | 1600                    |                           |             |             | OT1600U22 | 1SCA144202R1001 | 69          | 152.1 |
| 2  | 2000                    |                           |             |             | OT2000U02 | 1SCA144203R1001 | 37          | 81.6  |
| 3  | 2000                    |                           |             |             | OT2000U03 | 1SCA117313R1001 | 52          | 114.6 |
| 4  | 2000                    |                           |             |             | OT2000U04 | 1SCA117316R1001 | 69          | 152.1 |
| 3  | 2000                    |                           |             |             | OT2000U12 | 1SCA117332R1001 | 52          | 114.6 |
| 4  | 2000                    |                           |             |             | OT2000U13 | 1SCA117336R1001 | 69          | 152.1 |
| 4  | 2000                    |                           |             |             | OT2000U22 | 1SCA117334R1001 | 69          | 152.1 |

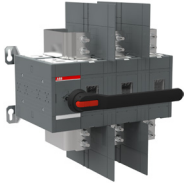
Approvals:  
 UL 98, CSA 22-2 No. 4  
 IEC 60947-3  
 CCC, EAC

### Recommended shafts and handles

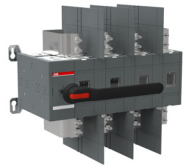
| Suitable for switches | Shaft     | Handle    | Terminal bolt kits included |
|-----------------------|-----------|-----------|-----------------------------|
| OT200U_               | OXp6X210  | OHB65J6   | M8x25                       |
| OT400U_               | OXp12X185 | OHB95J12  | M10x30                      |
| OT600U_               | OXp12X185 | OHB125J12 | M12x40                      |
| OT800...2000U_        | OXp12X280 | OHB274J12 | M12X60                      |

## Manual switch-disconnectors OT200...2000, UL

Ordering information for non-fusible disconnect switches



OT1600...2000U03P



OT1600...2000U04P

### Front operated non-fusible disconnect switches, base mounting, UL/CSA

Including terminal bolts, handle and shaft as standard.

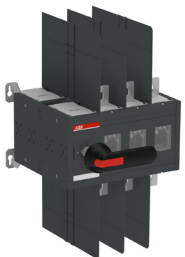
| Number of poles                     | Ampere rating, 600 V AC |  | Type       | Order code      | Weight/unit |       |
|-------------------------------------|-------------------------|--|------------|-----------------|-------------|-------|
|                                     | A                       |  |            |                 | kg          | lb    |
| <b>Switch with handle and shaft</b> |                         |  |            |                 |             |       |
| 2                                   | 1600                    |  | OT1600U02P | 1SCA144206R1001 | 38          | 83.8  |
| 3                                   | 1600                    |  | OT1600U03P | 1SCA144207R1001 | 53          | 116.9 |
| 4                                   | 1600                    |  | OT1600U04P | 1SCA144208R1001 | 70          | 154.3 |
| 3                                   | 1600                    |  | OT1600U12P | 1SCA144209R1001 | 53          | 116.9 |
| 4                                   | 1600                    |  | OT1600U13P | 1SCA144210R1001 | 70          | 154.3 |
| 4                                   | 1600                    |  | OT1600U22P | 1SCA144211R1001 | 70          | 154.3 |
| 2                                   | 2000                    |  | OT2000U02P | 1SCA144212R1001 | 38          | 83.8  |
| 3                                   | 2000                    |  | OT2000U03P | 1SCA117314R1001 | 53          | 116.9 |
| 4                                   | 2000                    |  | OT2000U04P | 1SCA117317R1001 | 70          | 154.3 |
| 3                                   | 2000                    |  | OT2000U12P | 1SCA117333R1001 | 53          | 116.9 |
| 4                                   | 2000                    |  | OT2000U13P | 1SCA117337R1001 | 70          | 154.3 |
| 4                                   | 2000                    |  | OT2000U22P | 1SCA117335R1001 | 70          | 154.3 |

### Shafts, pistol handles and terminal bolt kits included as standard

| Suitable for switches | Shaft     | Handle    | Terminal bolt kits |
|-----------------------|-----------|-----------|--------------------|
| OT1600...2000_P       | OXF12X280 | OHB274J12 | M12X60             |



OT200U03DP



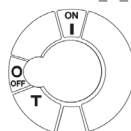
OT600U03DP

### Manual 6- and 8-pole switch-disconnectors OT200...600\_DP, UL

Front operated 6- and 8-pole non-fusible disconnect switches OT200...600, base mounting, UL/CSA . Including a black ON-OFF plastic pistol handle with extension and shaft as standard. The handle is NEMA1, 3R,12 and padlockable in the OFF-position. The door is interlocked when the handle is in ON-position and in OFF-position when the handle is padlocked. The shaft can be adjusted to different installation depths. When the switch is maneuvered, both switches are operated at same time, and the operating handle has two positions, O - I.

| Number of poles | Ampere rating, 600 V AC |  | Horsepower rating 3-phase [HP] |         |         | Type       | Order code      | Weight/unit |      |
|-----------------|-------------------------|--|--------------------------------|---------|---------|------------|-----------------|-------------|------|
|                 | A                       |  | 240V AC                        | 480V AC | 600V AC |            |                 | kg          | lb   |
| 6               | 200                     |  | 75                             | 150     | 200     | OT200U03DP | 1SCA107465R1001 | 3.4         | 7.5  |
| 8               | 200                     |  | 75                             | 150     | 200     | OT200U04DP | 1SCA107461R1001 | 4.2         | 9.2  |
| 6               | 400                     |  | 125                            | 250     | 350     | OT400U03DP | 1SCA113427R1001 | 6.6         | 14.5 |
| 8               | 400                     |  | 125                            | 250     | 350     | OT400U04DP | 1SCA113428R1001 | 7.5         | 16.6 |
| 6               | 600                     |  | 200                            | 450     | 500     | OT600U03DP | 1SCA113344R1001 | 15.1        | 33.3 |
| 8               | 600                     |  | 200                            | 450     | 500     | OT600U04DP | 1SCA113354R1001 | 18.2        | 40.1 |

OT160-800\_D\_

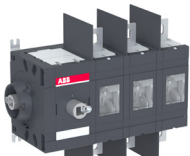


## Manual switch-disconnectors OT200...2000, UL

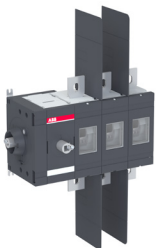
Ordering information for side operated non-fusible disconnect switches



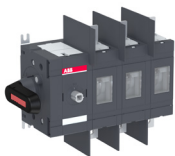
OT200US03



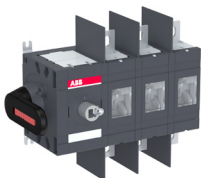
OT400US03



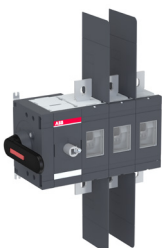
OT600US03



OT200US03K



OT400US03K



OT600US03K

### Side operated non-fusible disconnect switches, base mounting, UL/CSA

Including terminal bolt kit. In OT\_K-types a black ON-OFF direct mount handle as standard. The handle is padlockable in the OFF-position.

| Number of poles                                       | Ampere rating<br>A | Horsepower rating<br>3-phase |                |                | Type       | Order code      | Weight/unit |       |
|---|--------------------|------------------------------|----------------|----------------|------------|-----------------|-------------|-------|
|   |                    | 240 V AC<br>HP               | 480 V AC<br>HP | 600 V AC<br>HP |            |                 | kg          | lb    |
| <b>Handle and shaft have to be ordered separately</b> |                    |                              |                |                |            |                 |             |       |
| 3   | 200                | 75                           | 150            | 200            | OT200US03  | 1SCA022870R6290 | 1.755       | 3.86  |
| 4   | 200                | 75                           | 150            | 200            | OT200US04  | 1SCA022870R6370 | 2.155       | 4.74  |
| 3   | 400                | 125                          | 250            | 350            | OT400US03  | 1SCA022870R6610 | 3.06        | 6.73  |
| 4   | 400                | 125                          | 250            | 350            | OT400US04  | 1SCA022870R6700 | 3.56        | 7.83  |
| 3   | 600                | 200                          | 400            | 500            | OT600US03  | 1SCA022870R7000 | 6.2         | 13.64 |
| 4   | 600                | 200                          | 400            | 500            | OT600US04  | 1SCA022870R7260 | 6.2         | 13.64 |
| <b>Direct mount handle included</b>                   |                    |                              |                |                |            |                 |             |       |
| 3   | 200                | 75                           | 150            | 200            | OT200US03K | 1SCA022870R6450 | 1.855       | 4.08  |
| 4   | 200                | 75                           | 150            | 200            | OT200US04K | 1SCA022870R6530 | 2.255       | 4.96  |
| 3   | 400                | 125                          | 250            | 350            | OT400US03K | 1SCA022870R6880 | 3.16        | 6.95  |
| 4   | 400                | 125                          | 250            | 350            | OT400US04K | 1SCA022870R6960 | 3.66        | 8.05  |
| 3   | 600                | 200                          | 400            | 500            | OT600US03K | 1SCA022870R7340 | 6.2         | 13.64 |
| 4   | 600                | 200                          | 400            | 500            | OT600US04K | 1SCA022870R7420 | 6.2         | 13.64 |

Approvals:  
 - OT200, 400, 600: UL 98, CSA 22-2 No. 4  
 - IEC 60947-3

### Recommended shafts and handles

| Suitable for switches | Shaft     | Handle        | Terminal bolts included as standard |
|-----------------------|-----------|---------------|-------------------------------------|
| OT200US               | OXp6X210  | OHB65J16E00S  | M8x25                               |
| OT400US_600US         | OXp12X185 | OHB145J12E00S | M10x30                              |



## Manual switch-disconnectors OT400...1200, UL

Ordering information for non-fusible disconnect switches



OT400U03P



OT600U03P

**Front operated non-fusible disconnect switches for up to 1000V AC, base mounting, UL**  
 Handle and shaft need to be ordered separately. Terminal bolts are included.

| Number of poles | Ampere rating |          | Type          | Order code      | Weight/unit |      |
|-----------------|---------------|----------|---------------|-----------------|-------------|------|
|                 | 800V AC       | 1000V AC |               |                 | kg          | lb   |
|                 | A             | A        |               |                 |             |      |
| 3               | 300           | 200      | OT400U12-1000 | 1SCA159826R1001 | 3.0         | 6.6  |
| 3               | 300           | 200      | OT400U03-1000 | 1SCA159824R1001 | 3.0         | 6.6  |
| 4               | 300           | 200      | OT400U04-1000 | 1SCA159825R1001 | 3.6         | 7.9  |
| 4               | 300           | 200      | OT400U22-1000 | 1SCA159823R1001 | 3.6         | 7.9  |
| 3               | 400           | 400      | OT600U03-1000 | 1SCA161432R1001 | 6.2         | 13.7 |
| 4               | 400           | 400      | OT600U04-1000 | 1SCA161433R1001 | 7.5         | 16.5 |
| 3               | 600           | 600      | OT800U03-1000 | 1SCA161434R1001 | 18.0        | 39.7 |
| 4               | 600           | 600      | OT800U04-1000 | 1SCA161435R1001 | 21.0        | 46.3 |
| 3               | 800           | -        | OT1200U03-800 | 1SCA161436R1001 | 18.0        | 39.7 |
| 4               | 800           | -        | OT1200U04-800 | 1SCA161437R1001 | 21.0        | 46.3 |



Feige  
FILLING

# Manual switch-disconnectors OT160...4000

## Dimensional drawings

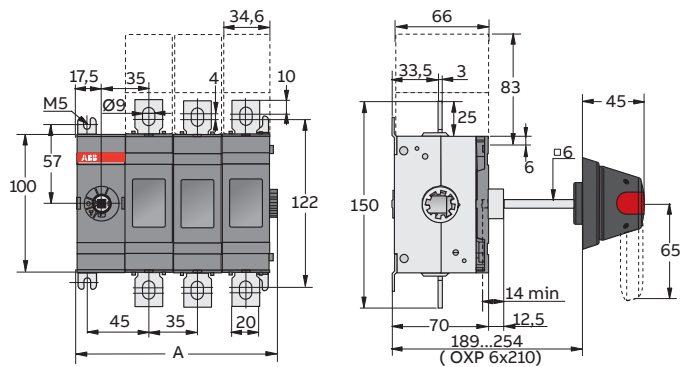
### Front operated switch-disconnectors OT160...800, base mounting, IEC

#### OT160EV\_P, OT200\_P and OT250\_P

Mechanism at the end of the switch or between the poles

| OT160EV_/200E_/250E_ |      |       |       |       |
|----------------------|------|-------|-------|-------|
| [mm]                 | E01  | E02   | E03   | E04   |
| A                    | 75,5 | 110,5 | 145,5 | 180,5 |
| A1                   | 55   | 90    | 125   | 160   |
| B1                   | 71   | 106   | 141   | 176   |
| C1                   | 85   | 120   | 155   | 190   |

M00011/S01843 OT200\_250E01\_04 F

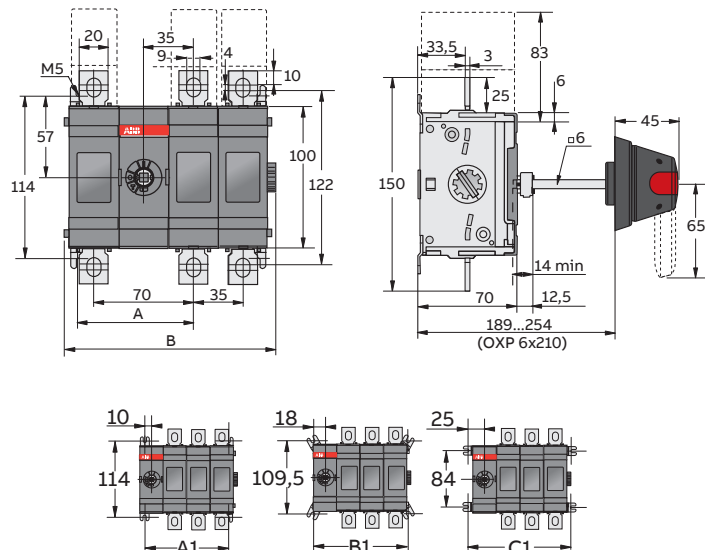


#### OT160EV\_P, OT200\_P and OT250\_P

Mechanism at the end of the switch or between the poles

| OT160EV_/200E_/250E_ |       |       |       |       |
|----------------------|-------|-------|-------|-------|
| [mm]                 | E11   | E12   | E13   | E22   |
| A                    | 80    | 80    | 80    | 115   |
| B                    | 115,5 | 150,5 | 185,5 | 185,5 |
| A1                   | 90    | 125   | 160   | 160   |
| A2                   | 45    | 45    | 45    | 80    |
| B1                   | 106   | 141   | 141   | 176   |
| B2                   | 53    | 53    | 53    | 88    |
| C1                   | 120   | 155   | 190   | 190   |
| C2                   | 60    | 60    | 60    | 95    |

M00017/OT200\_250E11\_22 F



# Manual switch-disconnectors OT160...4000

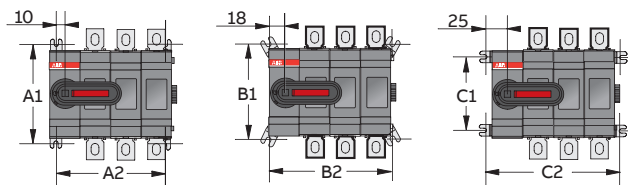
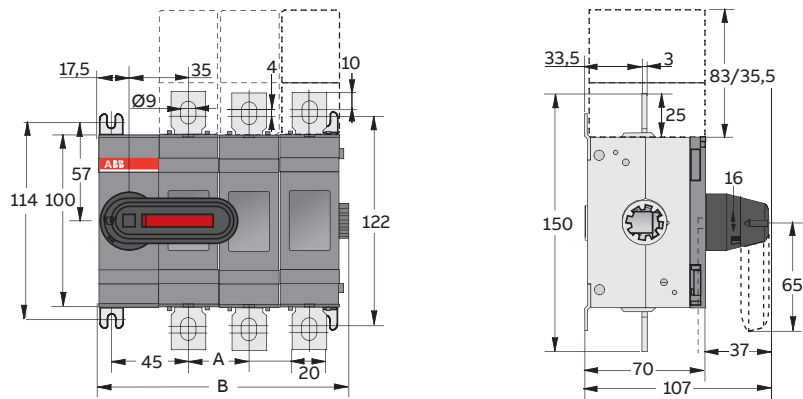
## Dimensional drawings

### Front operated switch-disconnectors OT160...800, base mounting, IEC

#### OT160EV\_K, OT200\_K and OT250\_K

| OT160EV_/200E_/250E_ |       |       |       |       |
|----------------------|-------|-------|-------|-------|
| [mm]                 | E01K  | E02K  | E03K  | E04K  |
| A                    | -     | 35    | 35    | 35    |
| B                    | 75,5  | 110,5 | 145,5 | 180,5 |
| A1                   | 114   | 114   | 114   | 114   |
| A2                   | 55    | 90    | 125   | 160   |
| B1                   | 109,5 | 109,5 | 109,5 | 109,5 |
| B2                   | 71    | 106   | 141   | 176   |
| C1                   | 84    | 84    | 84    | 84    |
| C2                   | 85    | 120   | 155   | 190   |

M00078/OT200\_250E01\_04K A



# Manual switch-disconnectors OT160...4000

## Dimensional drawings

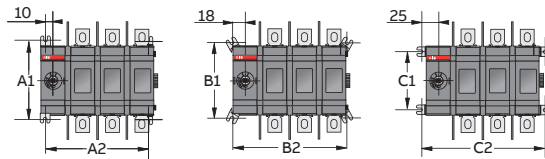
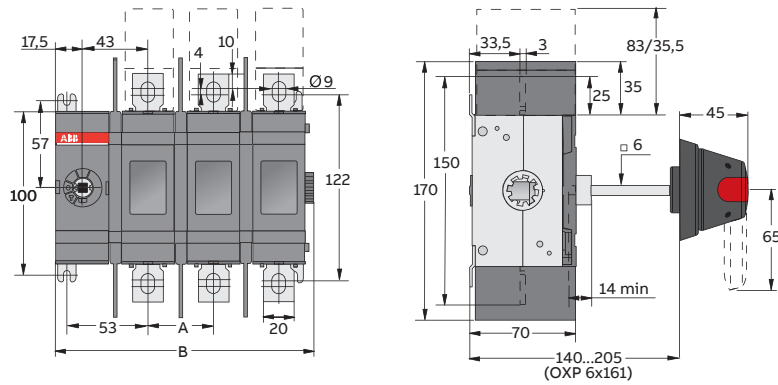
### Front operated switch-disconnectors OT160...800 with wide phase distance, base mounting, IEC

#### OT160EV\_WP, OT200\_WP and OT250\_WP

Mechanism at the end of the switch

| OT160EV_/200E_/250E_ |       |       |       |       |
|----------------------|-------|-------|-------|-------|
| [mm]                 | E01W  | E02W  | E03W  | E04W  |
| A                    | -     | 43    | 43    | 43    |
| B                    | 83,5  | 126,5 | 169,5 | 212,5 |
| A1                   | 114   | 114   | 114   | 114   |
| A2                   | 63    | 106   | 149   | 192   |
| B1                   | 109,5 | 109,5 | 109,5 | 109,5 |
| B2                   | 79    | 122   | 165   | 208   |
| C1                   | 84    | 84    | 84    | 84    |
| C2                   | 93    | 136   | 179   | 222   |

M00073/OT200E01\_04W A

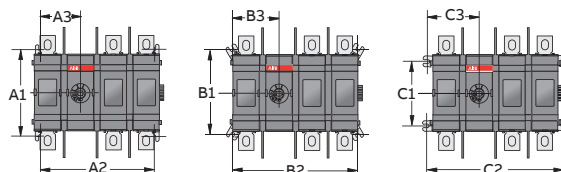
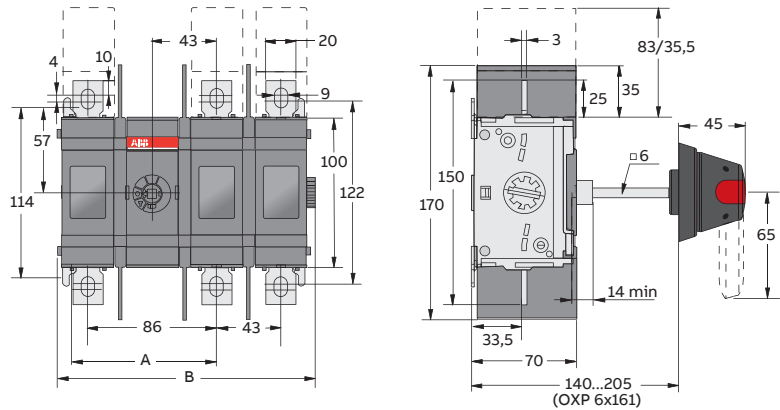


#### OT160EV\_WP, OT200\_WP and OT250\_WP

Mechanism between the poles

| OT160EV_/200E_/250E_ |       |       |       |       |
|----------------------|-------|-------|-------|-------|
| [mm]                 | E11W  | E12W  | E13W  | E22W  |
| A                    | 96    | 96    | 96    | 139   |
| B                    | 131,5 | 174,5 | 217,5 | 217,5 |
| A1                   | 114   | 114   | 114   | 114   |
| A2                   | 106   | 149   | 192   | 192   |
| A3                   | 53    | 53    | 53    | 96    |
| B1                   | 109,5 | 109,5 | 109,5 | 109,5 |
| B2                   | 122   | 165   | 208   | 208   |
| B3                   | 61    | 61    | 61    | 104   |
| C1                   | 84    | 84    | 84    | 84    |
| C2                   | 136   | 179   | 222   | 222   |
| C3                   | 68    | 68    | 68    | 111   |

M00074/OT200E11\_22W A



Main dimensions mm

# Manual switch-disconnectors OT160...4000

## Dimensional drawings

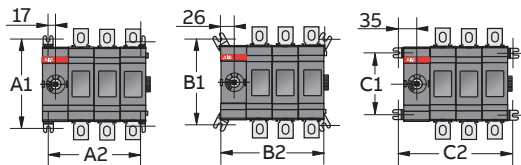
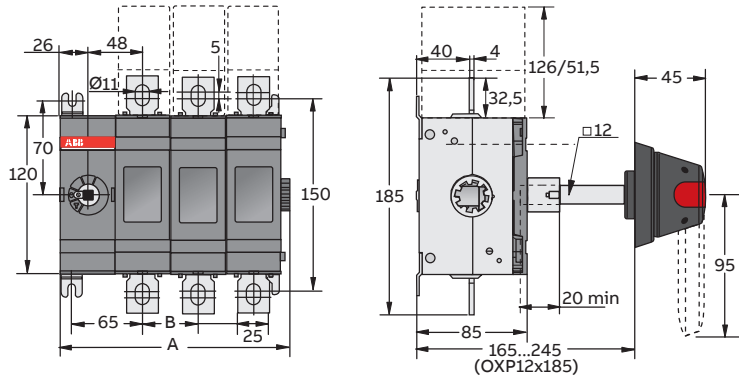
### Front operated switch-disconnectors OT160...800, base mounting, IEC

#### OT315\_P and OT400\_P

Mechanism at the end of the switch or between the poles

| OT315...OT400_ |     |     |     |     |
|----------------|-----|-----|-----|-----|
| [mm]           | E01 | E02 | E03 | E04 |
| A              | 103 | 147 | 191 | 235 |
| B              | -   | 44  | 44  | 44  |
| A1             | 140 | 140 | 140 | 140 |
| A2             | 78  | 122 | 166 | 210 |
| B1             | 135 | 135 | 135 | 135 |
| B2             | 96  | 140 | 184 | 228 |
| C1             | 104 | 104 | 104 | 104 |
| C2             | 114 | 158 | 202 | 246 |

M00012\_ES/OT315\_400E01\_04 E

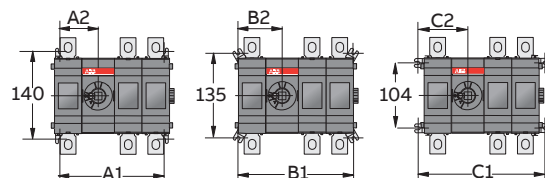
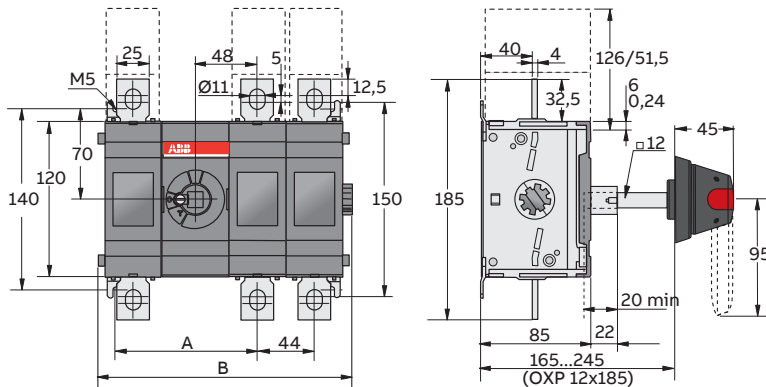


#### OT315\_P and OT400\_P

Mechanism at the end of the switch or between the poles

| OT315...OT400_ |     |     |     |     |
|----------------|-----|-----|-----|-----|
| [mm]           | E11 | E12 | E13 | E22 |
| A              | 109 | 109 | 109 | 153 |
| B              | 152 | 196 | 240 | 240 |
| A1             | 122 | 166 | 210 | 210 |
| A2             | 61  | 61  | 61  | 105 |
| B1             | 140 | 184 | 228 | 228 |
| B2             | 70  | 70  | 70  | 114 |
| C1             | 158 | 202 | 246 | 246 |
| C2             | 79  | 79  | 79  | 123 |

M00018/OT315\_400E11\_22 E



# Manual switch-disconnectors OT160...4000

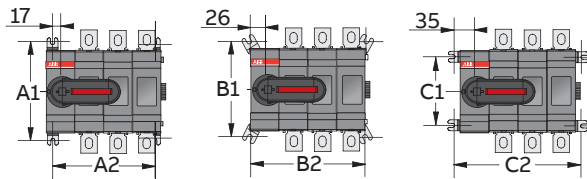
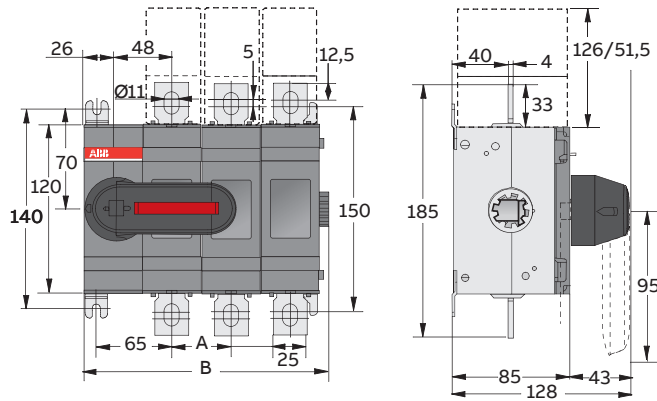
## Dimensional drawings

### Front operated switch-disconnectors OT160...800, base mounting, IEC

#### OT315\_K and OT400\_K

| OT315...OT400 |      |      |      |      |
|---------------|------|------|------|------|
| [mm]          | E01K | E02K | E03K | E04K |
| A             | -    | 44   | 44   | 44   |
| B             | 103  | 147  | 191  | 235  |
| A1            | 140  | 140  | 140  | 140  |
| A2            | 78   | 122  | 166  | 210  |
| B1            | 135  | 135  | 135  | 135  |
| B2            | 96   | 140  | 184  | 228  |
| C1            | 104  | 104  | 104  | 104  |
| C2            | 114  | 158  | 202  | 246  |

M00079/OT315\_400E01\_04K A



## Manual switch-disconnectors OT160...4000

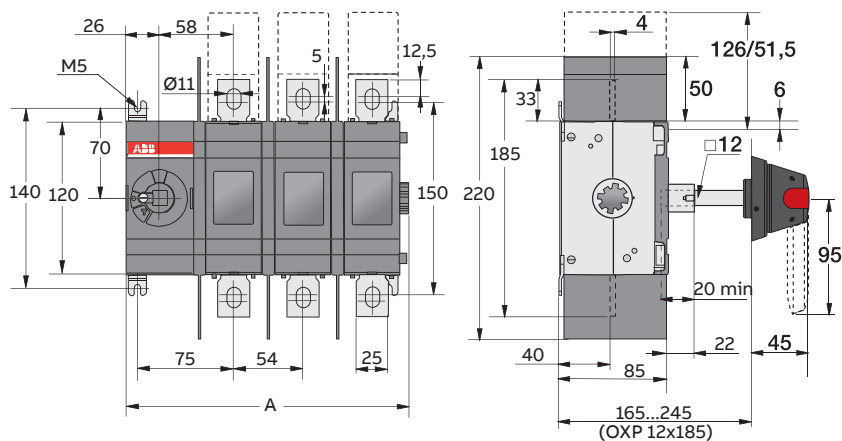
### Dimensional drawings

#### Front operated switch-disconnectors OT160...800 with wide phase distance, base mounting, IEC

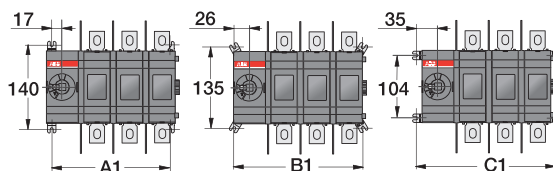
#### OT315\_WP and OT400\_WP

| OT315/400 |      |      |      |      |
|-----------|------|------|------|------|
| [mm]      | E01W | E02W | E03W | E04W |
| A         | 113  | 167  | 221  | 275  |
| A1        | 88   | 142  | 196  | 250  |
| B1        | 106  | 160  | 214  | 268  |
| C1        | 124  | 178  | 232  | 286  |

M00019/OT400U/E01\_04W/ES G



**Remark:** Dimension drawings for types OT1000\_W\_P...OT1600\_W\_P, see page 98 and OT2000...2500\_W\_P, see page 101.





# Manual switch-disconnectors OT160...4000

## Dimensional drawings

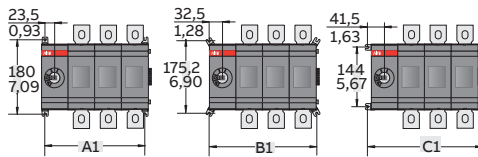
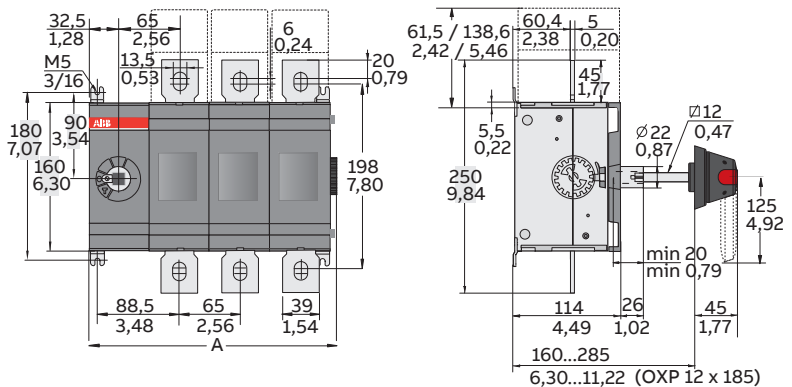
### Front operated switch-disconnectors OT160...800, base mounting, IEC

#### OT630\_P and OT800\_P

Mechanism at the end of the switch or between the poles

| OT630/800 |          |          |           |           |
|-----------|----------|----------|-----------|-----------|
| [mm]      | E01      | E02      | E03       | E04       |
| A         | 136/5,35 | 204/7,91 | 266/10,47 | 331/13,03 |
| A1        | 112/4,41 | 177/6,97 | 242/9,53  | 307/12,09 |
| B1        | 130/5,12 | 195/7,68 | 260/10,24 | 325/12,80 |
| C1        | 148/5,83 | 213/8,39 | 278/10,95 | 343/13,50 |

C00013\_/13OT630\_800\_01\_04 B /ES

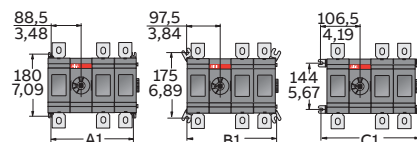
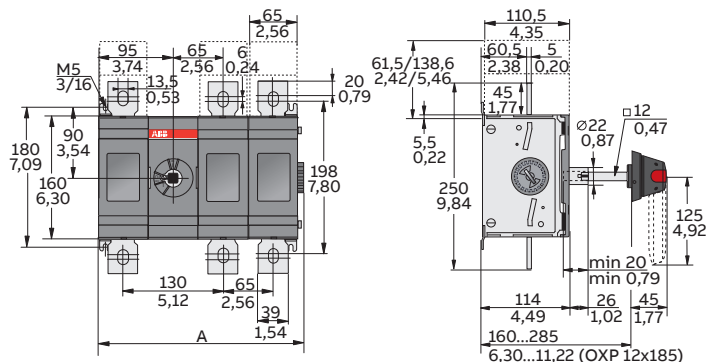


#### OT630\_P and OT800\_P

Mechanism at the end of the switch or between the poles

| OT630/800 |          |           |           |           |
|-----------|----------|-----------|-----------|-----------|
| [mm]      | E11      | E12       | E13       | E22       |
| A         | 201/7,91 | 266/10,47 | 331/13,03 | 331/13,03 |
| A1        | 177/6,97 | 242/9,53  | 307/12,09 | 307/12,09 |
| B1        | 195/7,68 | 260/10,24 | 325/12,80 | 325/12,80 |
| C1        | 213/8,39 | 278/10,95 | 343/13,50 | 343/13,50 |

M00082\_/OT630-800\_11\_22 C /ES



# Manual switch-disconnectors OT160...4000

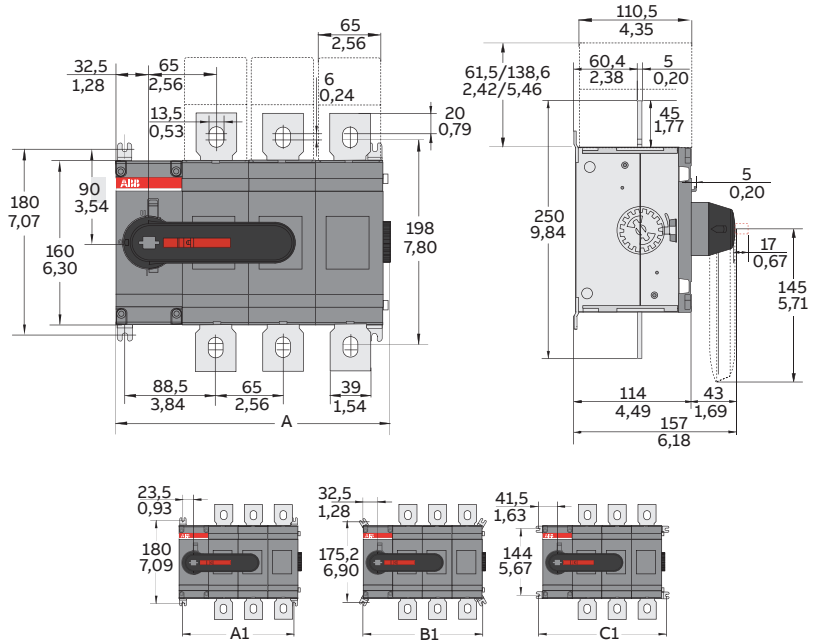
## Dimensional drawings

### Front operated switch-disconnectors OT160...800, base mounting, IEC

#### OT630\_K and OT800\_K

| OT630/800 |          |          |           |           |
|-----------|----------|----------|-----------|-----------|
| [mm]      | E01K     | E02K     | E03K      | E04K      |
| A         | 136/5,35 | 201/7,91 | 266/10,47 | 331/13,03 |
| A1        | 112/4,41 | 177/6,97 | 242/9,53  | 307/12,09 |
| B1        | 130/5,12 | 195/7,68 | 260/10,24 | 325/12,80 |
| C1        | 148/5,83 | 213/8,39 | 278/10,95 | 343/13,50 |

M00096/13\*OT630-800\_01-04K/ES A

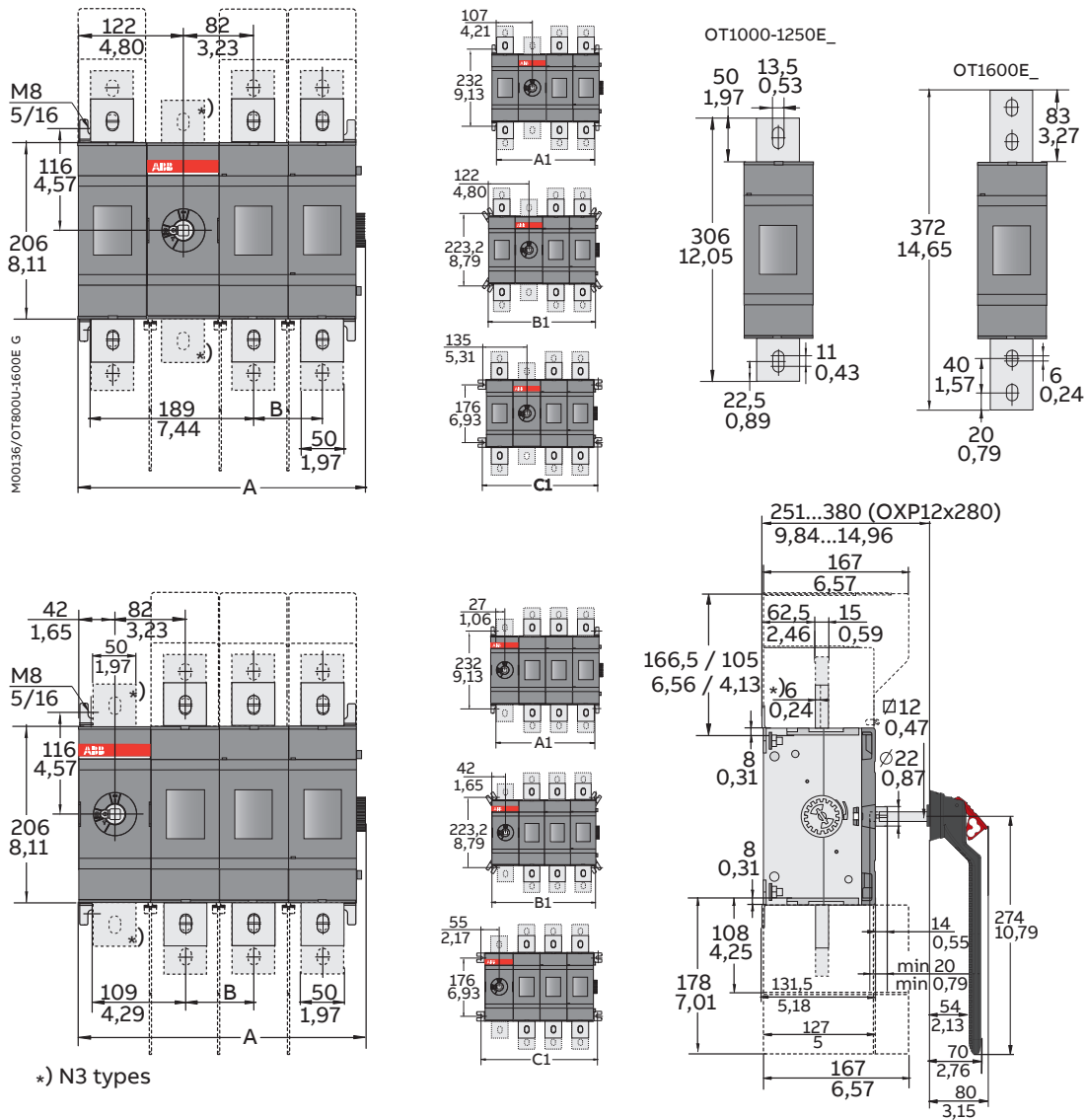


# Manual switch-disconnectors OT160...4000

## Dimensional drawings

### Front operated switch-disconnectors OT1000...4000, base mounting, IEC

#### OT1000\_W, OT1250\_W and OT1600\_W



| OT1000/1250/1600E_ |              |              |              |              |
|--------------------|--------------|--------------|--------------|--------------|
| [mm/in]            | 03W4         | 04W4         | 03W8         | 04W8         |
| A                  | 454,50/17,89 | 594,50/23,41 | 554,50/21,44 | 729,50/28,72 |
| B                  | 140/5,51     | 140/5,51     | 185/7,28     | 185/7,28     |
| A1                 | 414/16,30    | 554/21,81    | 504/19,84    | 689/27,13    |
| B1                 | 444/17,48    | 584/22,99    | 534/21,02    | 719/28,31    |
| C1                 | 470/18,50    | 610/24,02    | 560/22,05    | 745/29,33    |

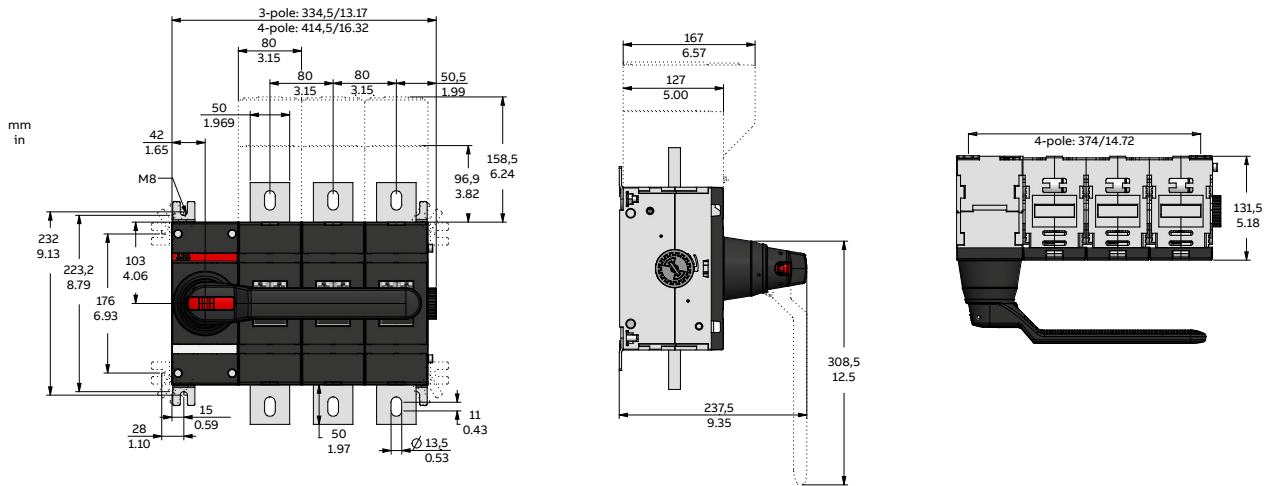
M00135/OT800U-1600E G

# Manual switch-disconnectors OT160...4000

## Dimensional drawings

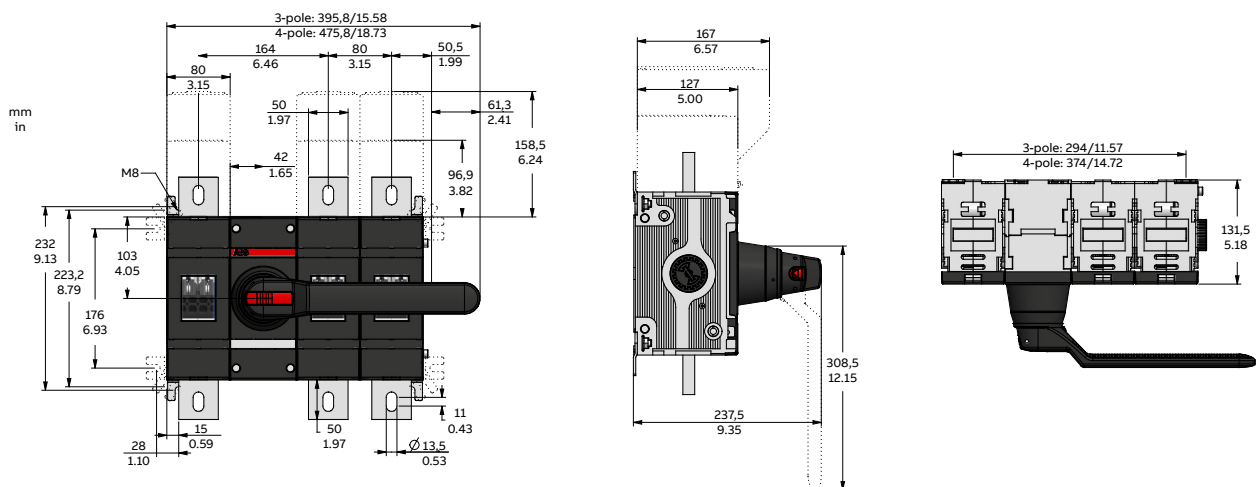
### OT1000...1250

Mechanism at the end of the switch



### OT1000...1250

Mechanism between the poles

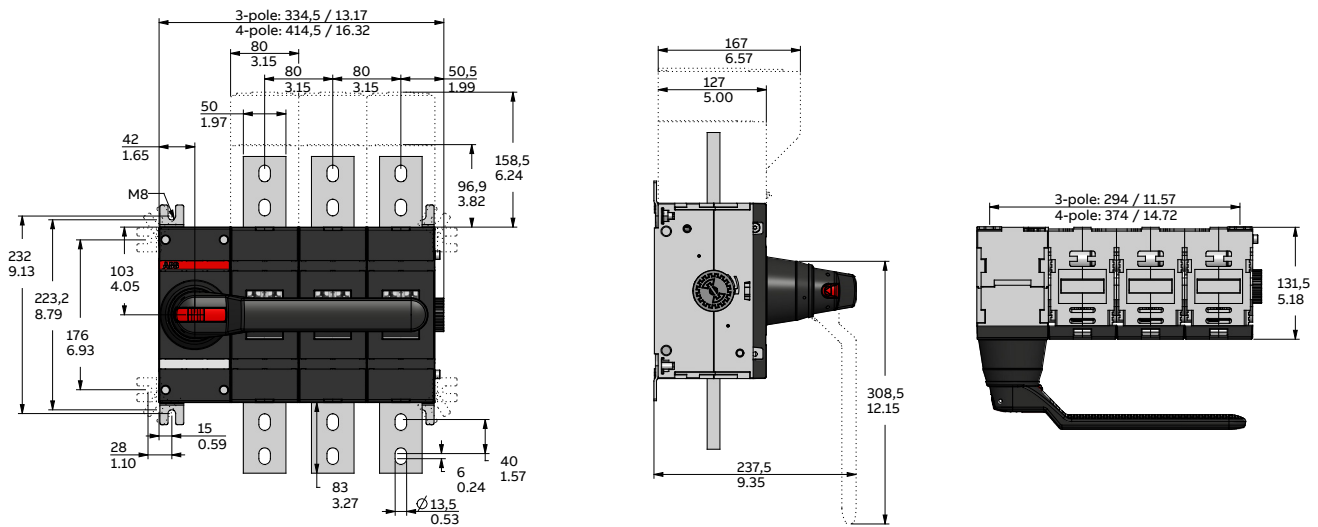


# Manual switch-disconnectors OT160...4000

## Dimensional drawings

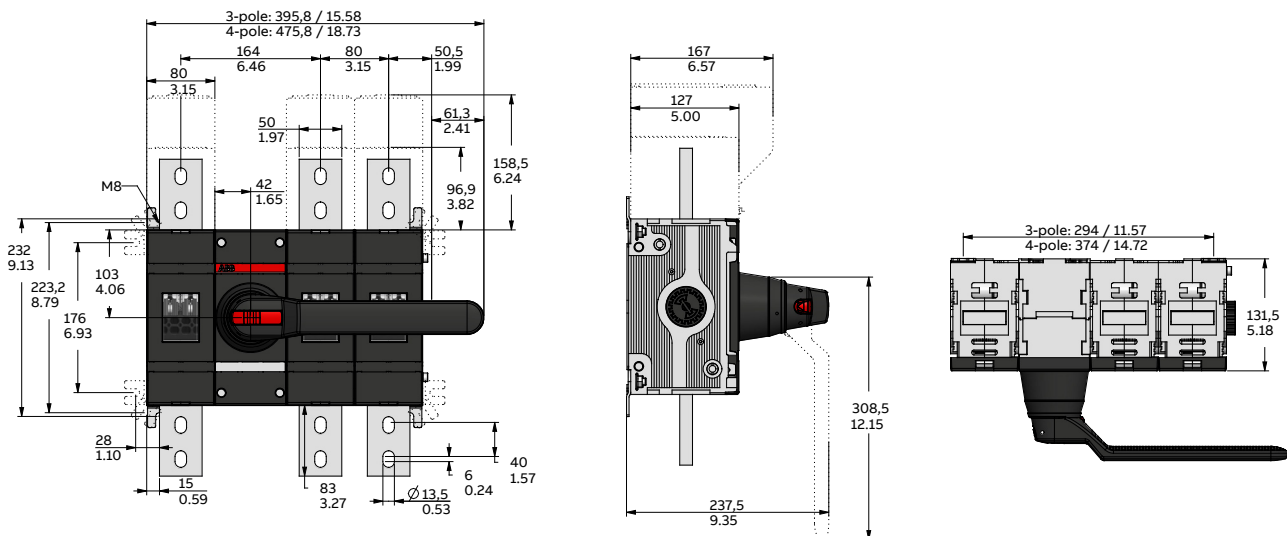
### OT1600

Mechanism at the end of the switch



### OT1600

Mechanism between the poles



# Manual switch-disconnectors OT160...4000

## Dimensional drawings

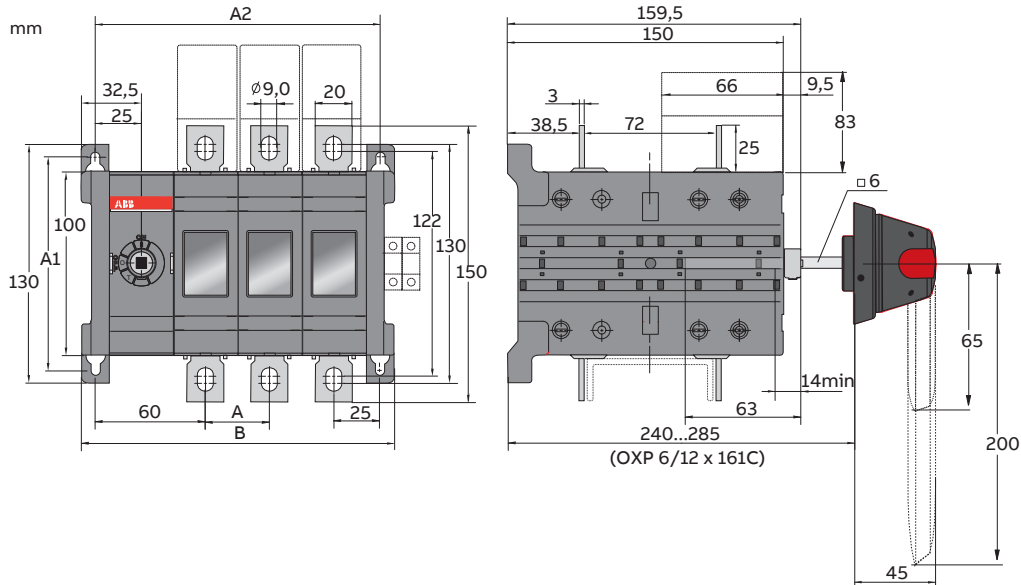
### Front operated 6-and 8-pole switch-disconnectors OT160...800E\_DP

#### OT160EV...250E\_DP

Mechanism at the end of the switch

| OT160-250_D_ |     |     |
|--------------|-----|-----|
| [mm]         | E03 | E04 |
| A            | 35  | 35  |
| A1           | 116 | 116 |
| A2           | 155 | 190 |
| B            | 170 | 205 |

#### OT160-250E03-04DP

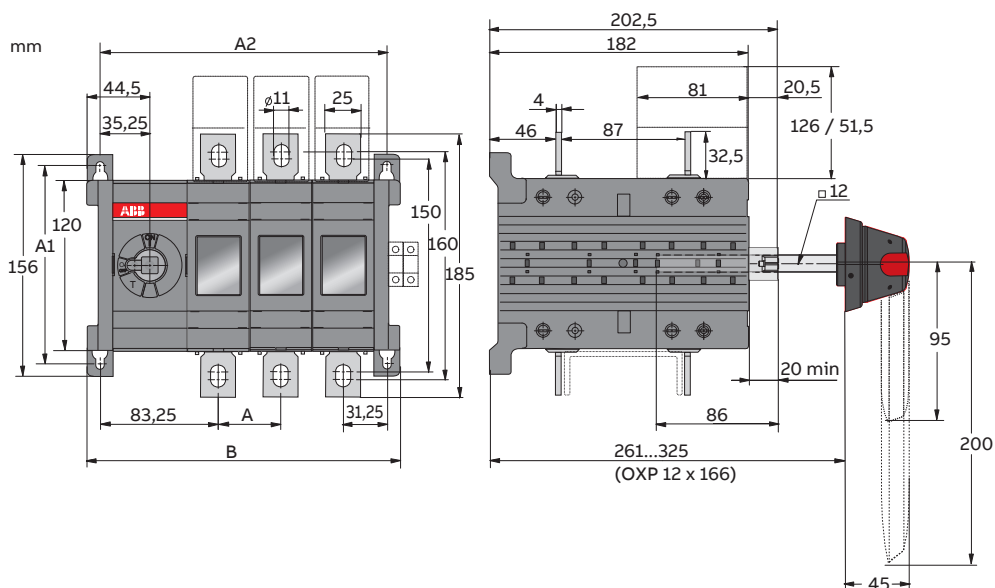


#### OT315E...400E\_DP

Mechanism at the end of the switch

| OT315-400_D_ |       |       |
|--------------|-------|-------|
| [mm]         | E03   | E04   |
| A            | 44    | 44    |
| A1           | 142   | 142   |
| A2           | 202,5 | 246,5 |
| B            | 221   | 265   |

#### OT315-400E03-04DP



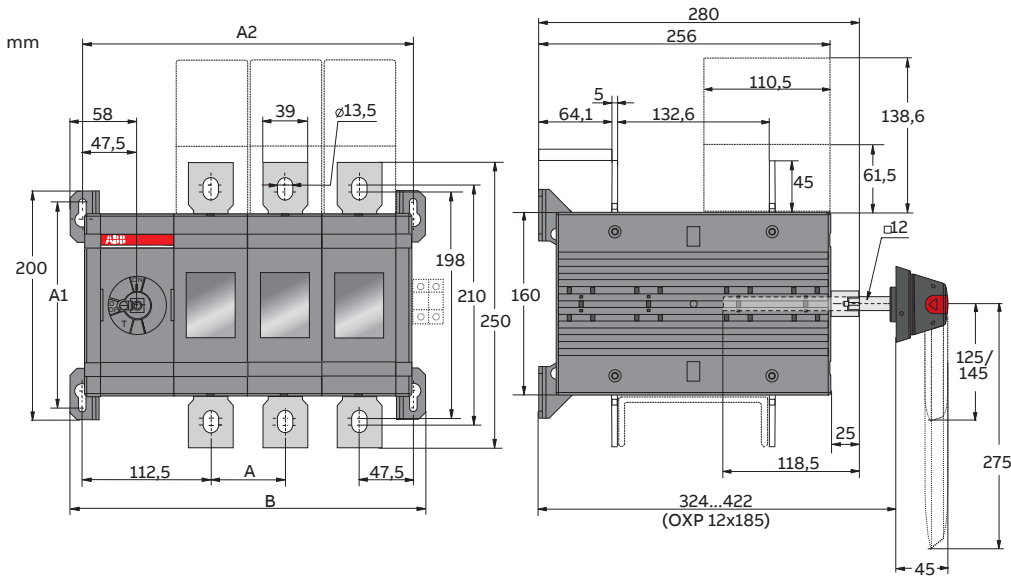
# Manual switch-disconnectors OT160...4000

## Dimensional drawings

### OT630E...800E\_DP

Mechanism at the end of the switch

#### OT630-800E03-04DP



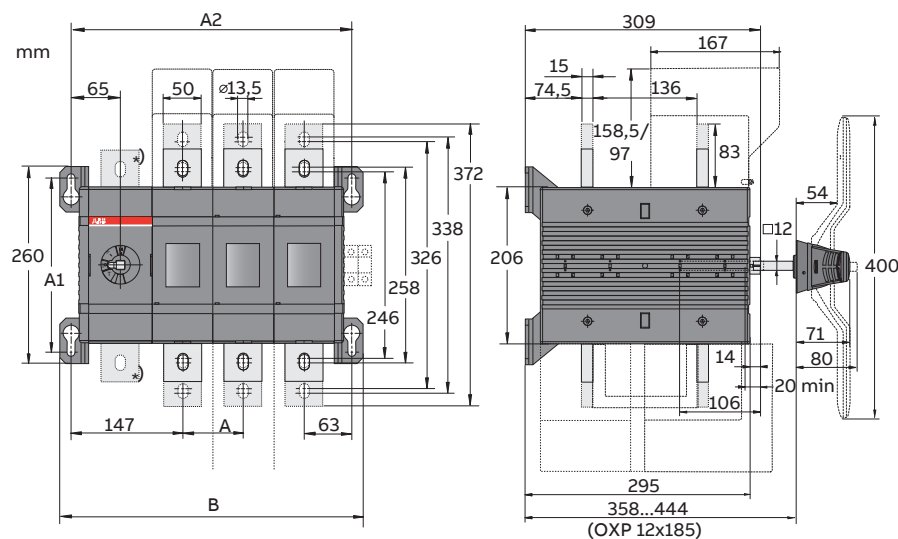
| OT630-800_D_ |     |     |
|--------------|-----|-----|
| [mm]         | E03 | E04 |
| A            | 65  | 65  |
| A1           | 180 | 180 |
| A2           | 290 | 355 |
| B            | 311 | 376 |

### Front operated 6-and 8-pole switch-disconnectors OT1000...2500E\_DDP

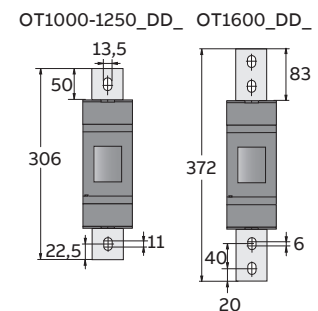
#### OT1000E...1600E\_DDP

Mechanism at the end of the switch

#### OT1000-1600E03-04DDP



| OT1000-1600_DD_ |     |     |
|-----------------|-----|-----|
| [mm]            | E03 | E04 |
| A               | 80  | 80  |
| A1              | 230 | 230 |
| A2              | 370 | 450 |
| B               | 400 | 480 |



# Manual switch-disconnectors OT160...4000

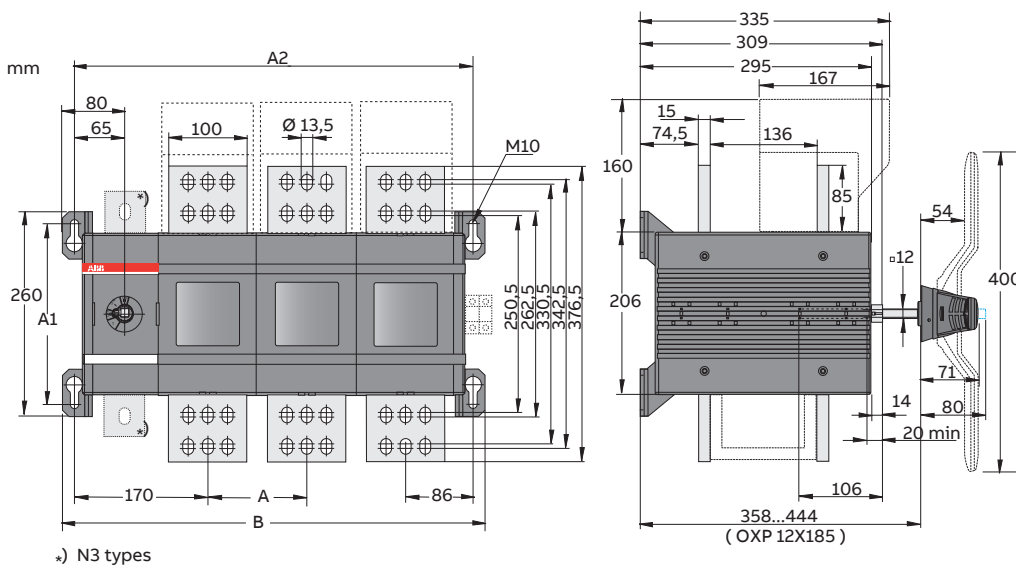
## Dimensional drawings

### Front operated 6-and 8-pole switch-disconnectors OT1000...2500E\_DDP

#### OT2000E...2500E\_DDP

Mechanism at the end of the switch

### OT2000-2500E03-04DDP



| OT2000-2500_DD_ |     |     |
|-----------------|-----|-----|
| [mm]            | E03 | E04 |
| A               | 126 | 126 |
| A1              | 230 | 230 |
| A2              | 508 | 634 |
| B               | 538 | 664 |

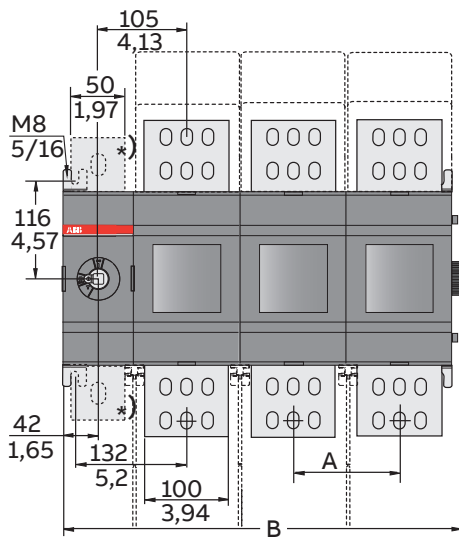
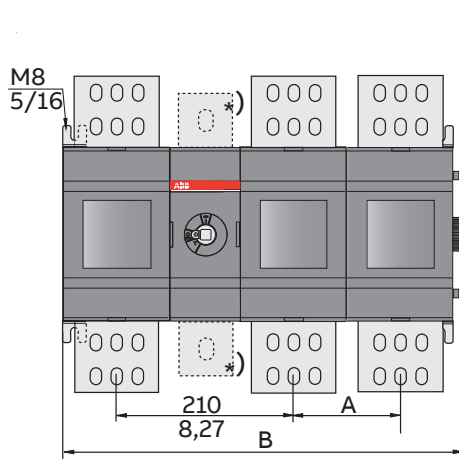


# Manual switch-disconnectors OT160...4000

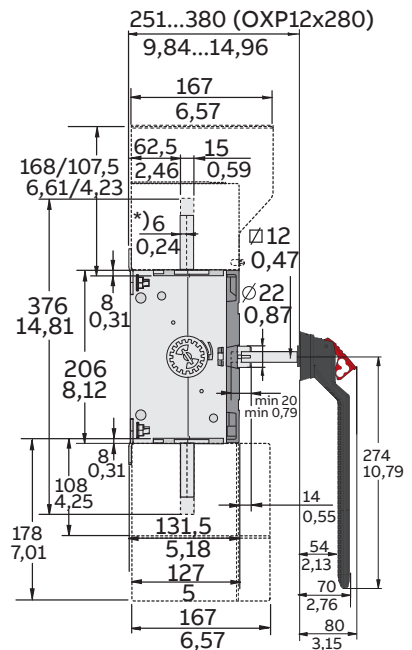
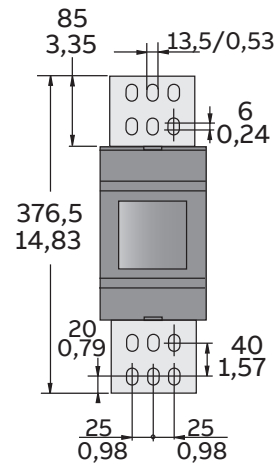
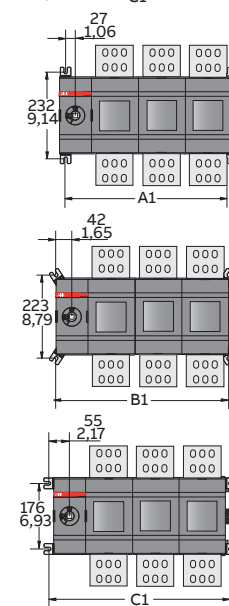
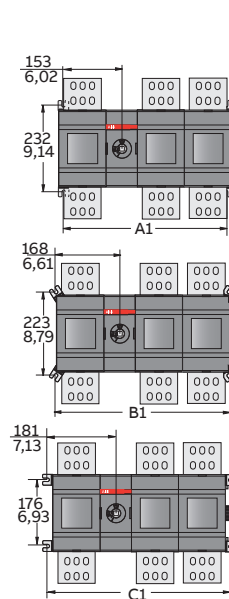
## Dimensional drawings

### Front operated switch-disconnectors OT1000...4000, base mounting, IEC

#### OT2000\_P and OT2500\_P



\*) N3 types



OT2000/2500E\_

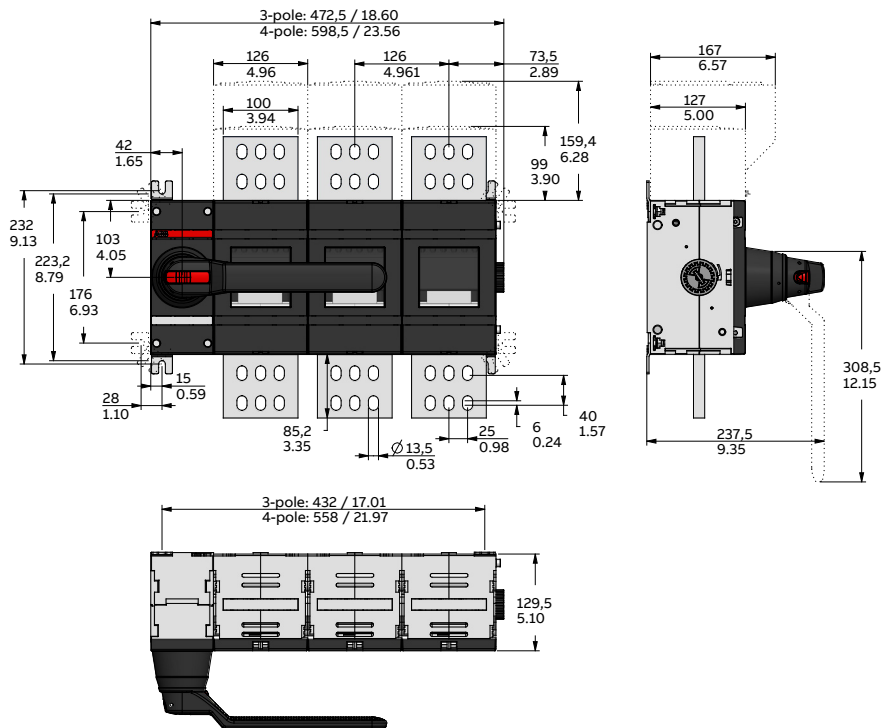
| [mm/in] | 01         | 02          | 03          | 04          | 11          | 12          | 13          | 22          | 03W4        | 04W4        | 03W8        | 04W8        |
|---------|------------|-------------|-------------|-------------|-------------|-------------|-------------|-------------|-------------|-------------|-------------|-------------|
| A       |            | 126/4,96    | 126/4,96    | 126/4,96    |             | 126/4,96    | 126/4,96    | 126/4,96    | 140/5,51    | 140/5,51    | 185/7,28    | 185/7,28    |
| B       | 220,5/8,68 | 346,5/13,64 | 472,5/18,60 | 598,5/23,56 | 346,5/13,64 | 472,5/18,60 | 598,5/23,56 | 598,5/23,56 | 500,5/19,70 | 640,5/25,22 | 590,5/23,25 | 775,5/30,53 |
| A1      | 180/7,09   | 306/12,05   | 432/17,01   | 558/21,97   | 306/12,05   | 432/17,01   | 558/21,97   | 558/21,97   | 460/18,11   | 600/23,62   | 550/21,65   | 735/28,94   |
| B1      | 210/8,27   | 336/13,23   | 462/18,19   | 588/23,15   | 336/13,23   | 462/18,19   | 588/23,15   | 588/23,15   | 490/19,29   | 630/24,80   | 580/22,83   | 765/30,12   |
| C1      | 236/9,29   | 362/14,25   | 488/19,21   | 614/24,17   | 362/14,25   | 488/19,21   | 614/24,17   | 614/24,17   | 516/20,31   | 656/25,83   | 606/23,86   | 791/31,14   |

# Manual switch-disconnectors OT160...4000

## Dimensional drawings

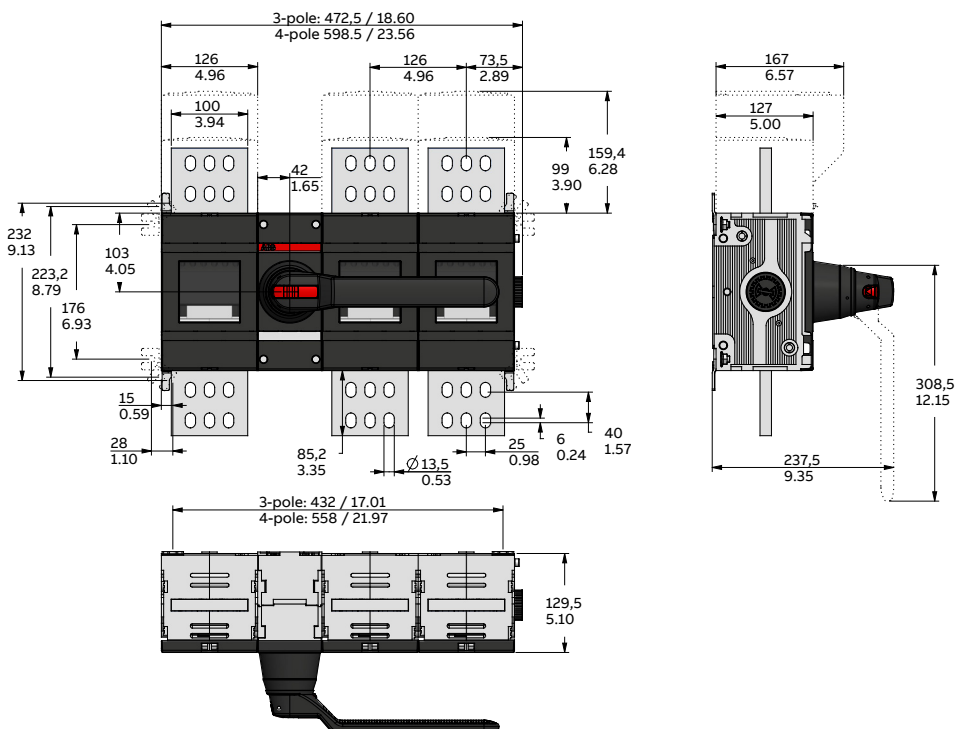
### OT2000...2500

Mechanism at the end of the switch



### OT2000...2500

Mechanism between the poles

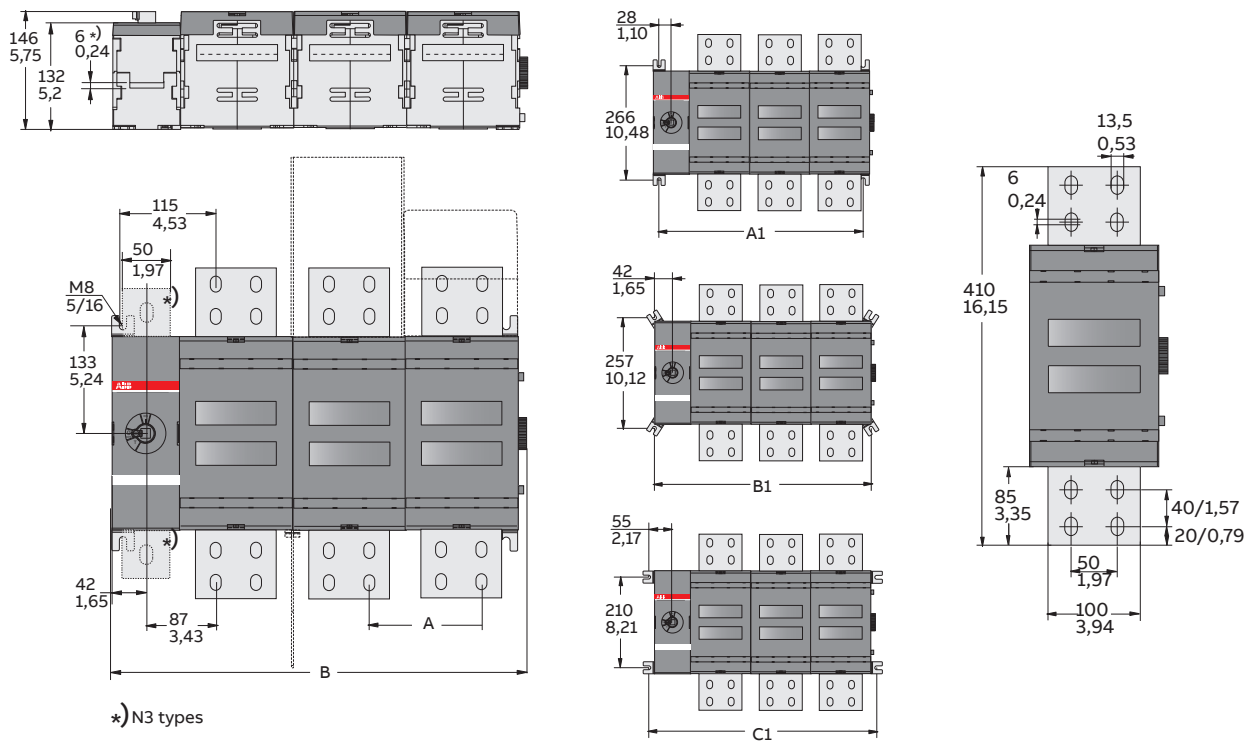


# Manual switch-disconnectors OT160...4000

## Dimensional drawings

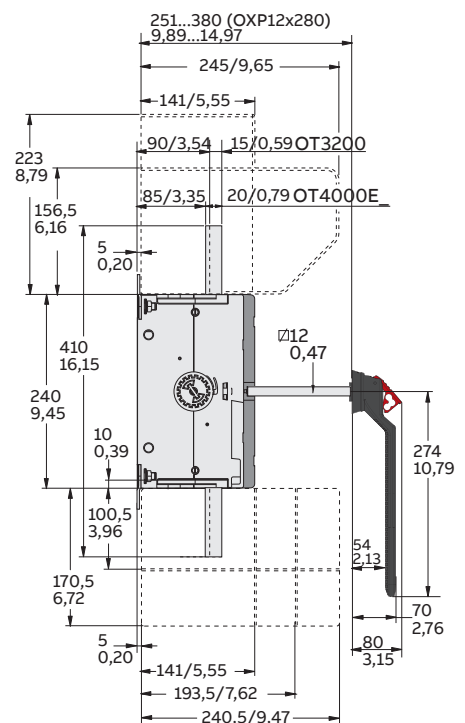
### Front operated switch-disconnectors OT1000...4000, base mounting, IEC

#### OT3200...4000E\_



| OT3200E_ 4000E_ |          |           |           |           |           |           |
|-----------------|----------|-----------|-----------|-----------|-----------|-----------|
| [mm/in]         | 01       | 02        | 03        | 04        | 03W8      | 04W8      |
| A               |          | 140/5,51  | 140/5,51  | 140/5,51  | 185/7,28  | 185/7,28  |
| B               | 234/9,21 | 374/14,72 | 514/20,24 | 654/25,75 | 604/23,78 | 789/31,06 |
| A1              | 195/7,68 | 335/13,19 | 475/18,70 | 615/24,21 | 565/22,24 | 750/29,53 |
| B1              | 224/8,82 | 364/14,33 | 504/19,84 | 644/25,35 | 594/23,39 | 779/30,67 |
| C1              | 250/9,84 | 390/15,35 | 530/20,87 | 670/26,38 | 805/31,69 | 619/24,37 |

M00421/OT3200\_4000E01-04 E



Main dimensions mm, inches

# Manual switch-disconnectors OT160...4000

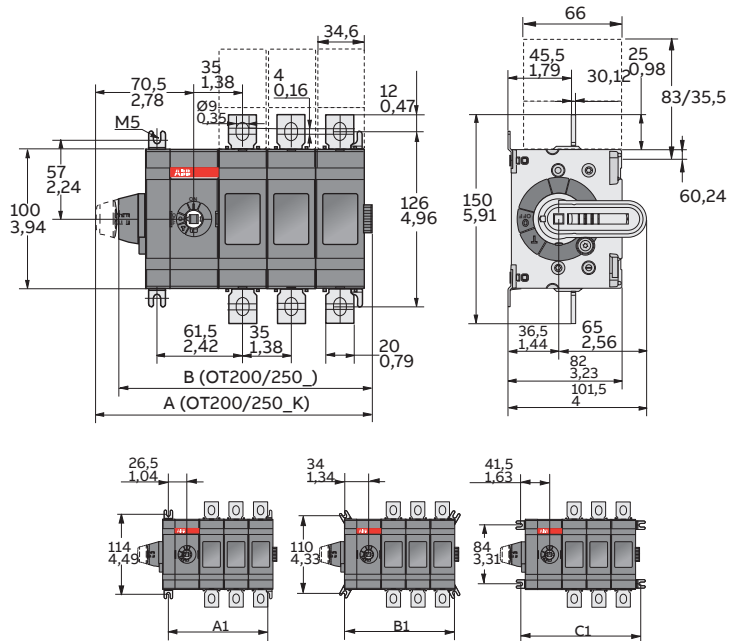
## Dimensional drawings

### Side operated switch-disconnectors OT160...800, base mounting, IEC

#### OT160EVs, OT200ES\_ and OT250ES\_

| OT160EV_/200E_/250E_, OT160EV_/200E/250E_K |            |            |            |            |
|--|------------|------------|------------|------------|
| [mm/in]                                    | ES01       | ES02       | ES03       | ES04       |
| A  | 128,5/5,06 | 163,5/6,44 | 198,5/7,82 | 233,5/9,2  |
| B  | 111,5/4,39 | 146,5/5,77 | 181,5/7,15 | 216,5/8,53 |
| A1   | 71,5/2,81  | 106,5/4,2  | 141,5/5,57 | 176,5/6,95 |
| B1   | 86,5/3,41  | 121,5/4,79 | 156,5/6,16 | 191,5/7,54 |
| C1   | 101,5/4    | 136,5/5,38 | 171,5/6,75 | 206,5/8,14 |

M00144/OT200-250ES01\_-04\_A

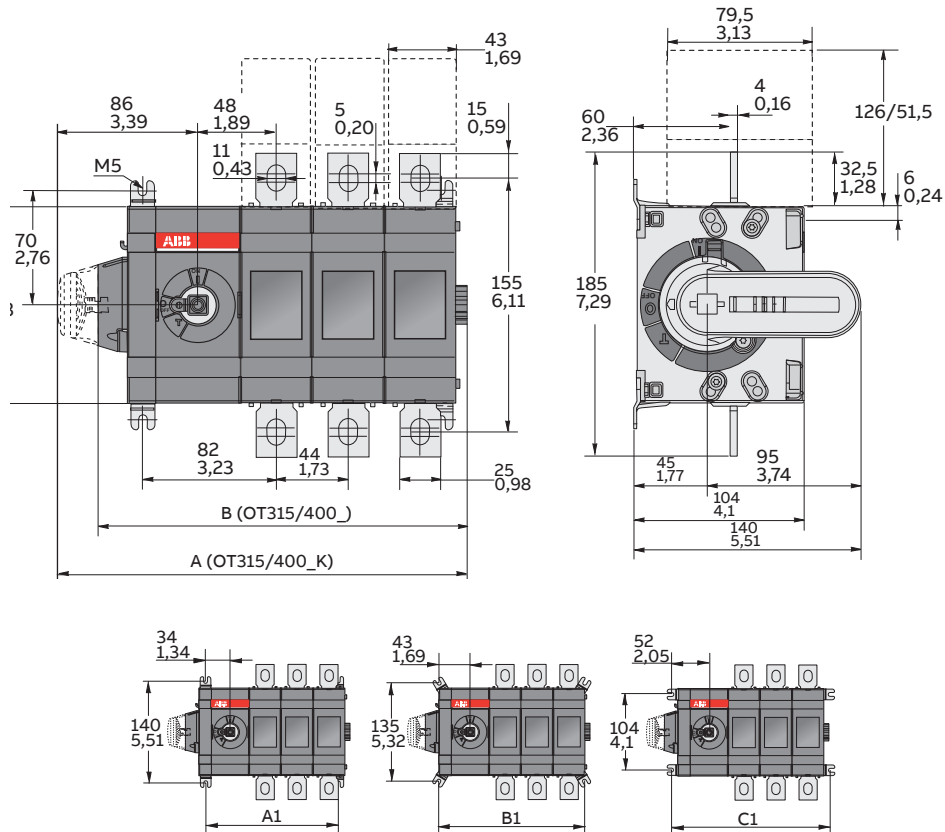


# Manual switch-disconnectors OT160...4000

## Dimensional drawings

### Side operated switch-disconnectors OT160...800, base mounting, IEC

#### OT315ES\_ and OT400ES\_



| OT315/400_ OT315/400_K |          |          |          |           |
|------------------------|----------|----------|----------|-----------|
| [mm/in]                | ES01     | ES02     | ES03     | ES04      |
| A                      | 163/6,42 | 207/8,16 | 251/9,89 | 295/11,62 |
| B                      | 138/5,44 | 182/7,17 | 226/8,9  | 270/10,64 |
| A1                     | 95/3,74  | 139/5,48 | 183/7,21 | 227/8,94  |
| B1                     | 113/4,45 | 157/6,18 | 201/7,92 | 245/9,65  |
| C1                     | 131/5,16 | 175/6,89 | 219/8,63 | 263/10,36 |

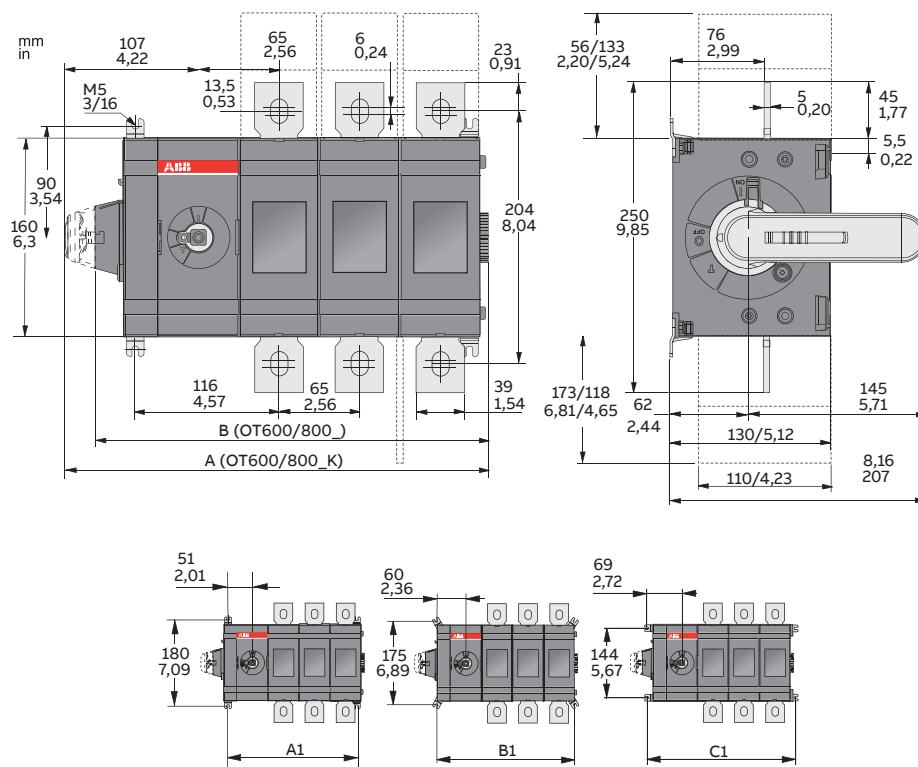
M00145/OT315-400ES01\_-04\_A

## Manual switch-disconnectors OT160...4000

### Dimensional drawings

#### Side operated switch-disconnectors OT160...800, base mounting, IEC

#### OT630ES\_ and OT800ES\_



| OT600/630/800_, OT600/630/800_K |           |           |           |           |
|---------------------------------|-----------|-----------|-----------|-----------|
| [mm/in]                         | ES01/US01 | ES02/US02 | ES03/US03 | ES04/US04 |
| A                               | 211/8,31  | 276/10,87 | 341/13,43 | 406/16    |
| B                               | 186/7,33  | 251/9,89  | 316/12,45 | 381/15,01 |
| A1                              | 140/5,51  | 205/8,08  | 270/10,64 | 335/13,2  |
| B1                              | 158/6,22  | 223/8,79  | 288/11,34 | 353/13,91 |
| C1                              | 176/6,93  | 241/9,49  | 306/12,06 | 371/14,62 |

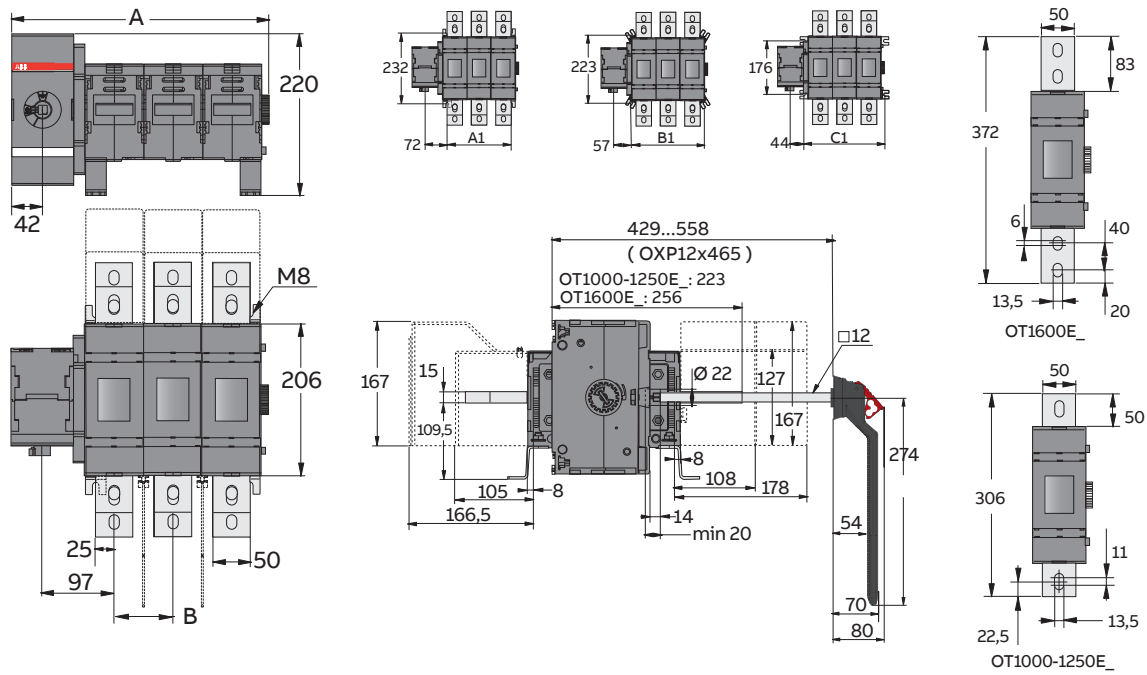
M00147/OT600-800ES01\_04 C

# Manual switch-disconnectors OT160...4000

## Dimensional drawings

### Front operated earthing switches OT1000...2500, bottom mounted, IEC

#### OT1000...1600EM\_



| OT1000/1250/1600EM_ |            |             |             |             |             |             |             |             |
|---------------------|------------|-------------|-------------|-------------|-------------|-------------|-------------|-------------|
| [mm/in]             | 01         | 02          | 03          | 04          | 03W4        | 04W4        | 03W8        | 04W8        |
| A                   | 189,5/7,46 | 269,5/10,61 | 349,5/13,76 | 429,5/16,91 | 469,5/18,48 | 609,5/24,00 | 559,5/22,03 | 744,5/29,31 |
| B                   |            | 80/3,15     | 80/3,15     | 80/3,15     | 140/5,51    | 140/5,51    | 185/7,28    | 185/7,28    |
| A1                  | 50/1,97    | 130/5,12    | 210/8,27    | 290/11,42   | 330/12,99   | 470/18,50   | 420/16,54   | 605/23,82   |
| B1                  | 80/3,15    | 160/6,30    | 240/9,45    | 320/12,60   | 360/14,17   | 500/19,69   | 450/17,72   | 635/25,00   |
| C1                  | 106/4,17   | 186/7,32    | 266/10,47   | 346/13,62   | 386/15,20   | 526/20,71   | 476/18,74   | 661/26,02   |

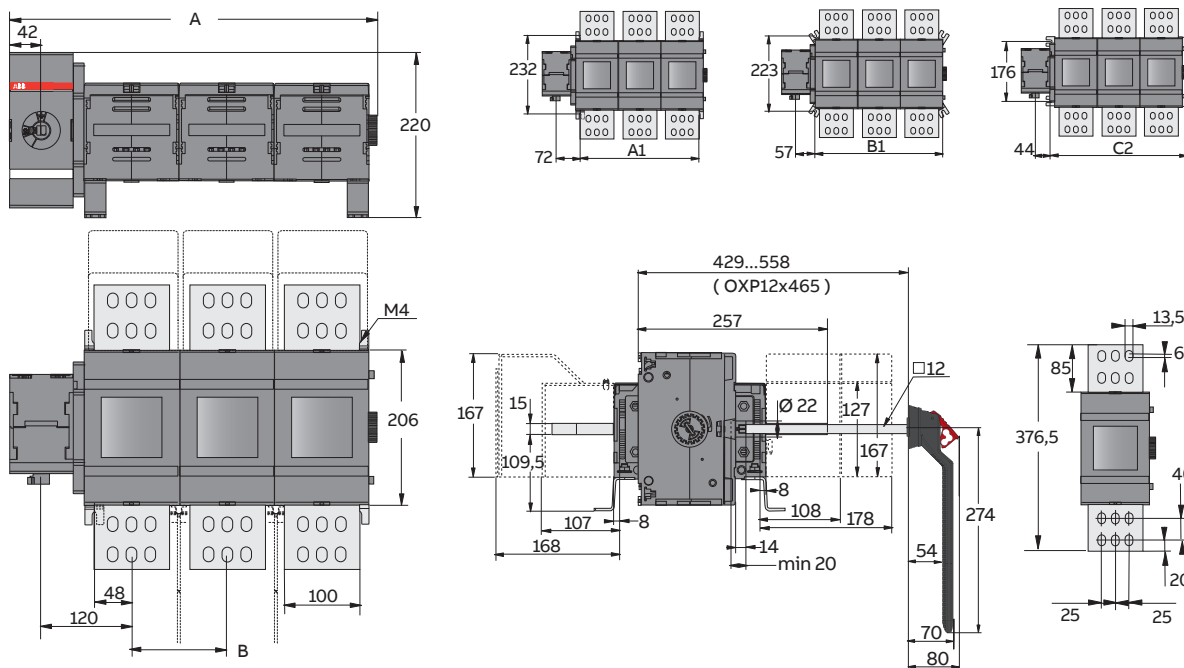
M07012/M00348/OT1600EM03 B

# Manual switch-disconnectors OT160...4000

## Dimensional drawings

### Front operated earthing switches OT1000...2500, with wide phase distance, bottom mounted, IEC

#### OT2000...2500EM\_



| OT2000/2500EM_ |            |             |             |             |             |             |             |             |
|----------------|------------|-------------|-------------|-------------|-------------|-------------|-------------|-------------|
| [mm/in]        | 01         | 02          | 03          | 04          | 03W4        | 04W4        | 03W8        | 04W8        |
| A              | 235,5/9,27 | 361,5/14,23 | 487,5/19,19 | 613,5/24,15 | 515,5/20,30 | 655,5/25,81 | 605,5/23,84 | 790,5/31,12 |
| B              |            | 126/4,96    | 126/4,96    | 126/4,96    | 140/5,51    | 140/5,51    | 185/7,28    | 185/7,28    |
| A1             | 96/3,78    | 222/8,74    | 348/13,70   | 474/18,66   | 376/14,80   | 516/20,31   | 466/18,35   | 651/25,63   |
| B1             | 126/4,96   | 252/9,92    | 378/14,88   | 504/19,84   | 406/15,98   | 546/21,50   | 496/19,53   | 681/26,81   |
| C1             | 152/5,98   | 278/10,94   | 404/15,91   | 530/20,87   | 432/17,01   | 572/22,52   | 522/20,55   | 707/27,83   |

M07013/M00349/OT2500EM03 B

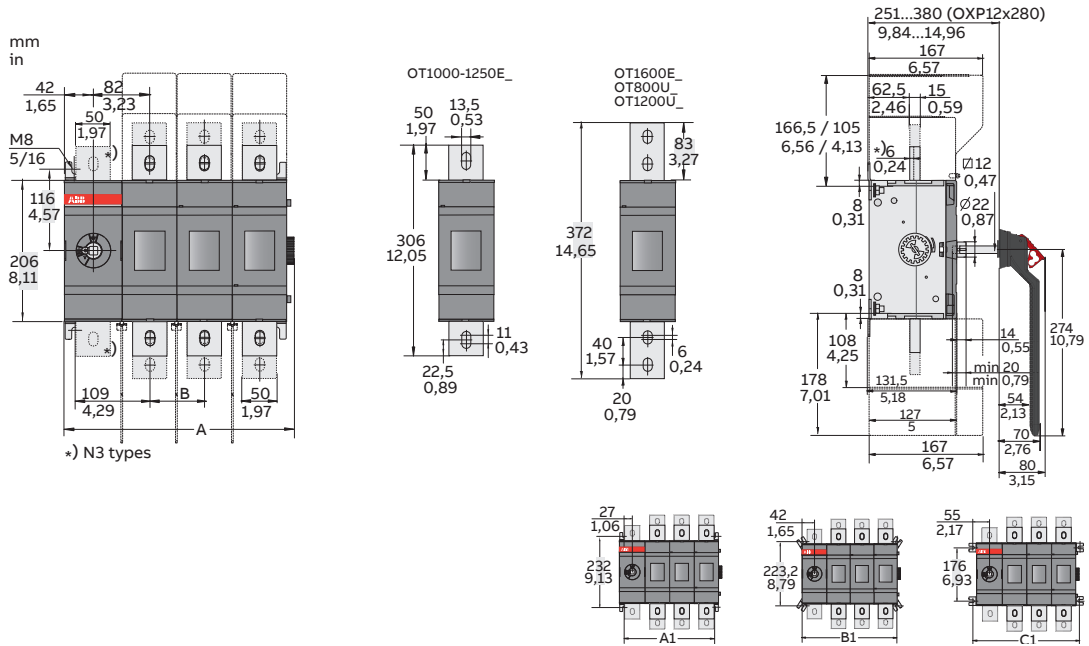


# Manual switch-disconnectors OT160...4000

## Dimensional drawings

### Front operated earthing switches OT1000...2500, base mounted, IEC

#### OT1000...1600EP\_



| OT1000/1250/1600EP_ |             |              |              |           |
|---------------------|-------------|--------------|--------------|-----------|
| [mm/in]             | 01          | 02           | 03           | 04        |
| A                   | 174,50/6,87 | 254,50/10,02 | 334,50/13,17 |           |
| B                   |             | 80/3,15      | 80/3,15      |           |
| A1                  | 134/5,28    | 214/8,43     | 294/11,57    | 374/14,72 |
| B1                  | 164/6,46    | 244/9,61     | 324/12,76    | 404/15,91 |
| C1                  | 190/7,48    | 270/10,63    | 350/13,78    | 430/16,93 |

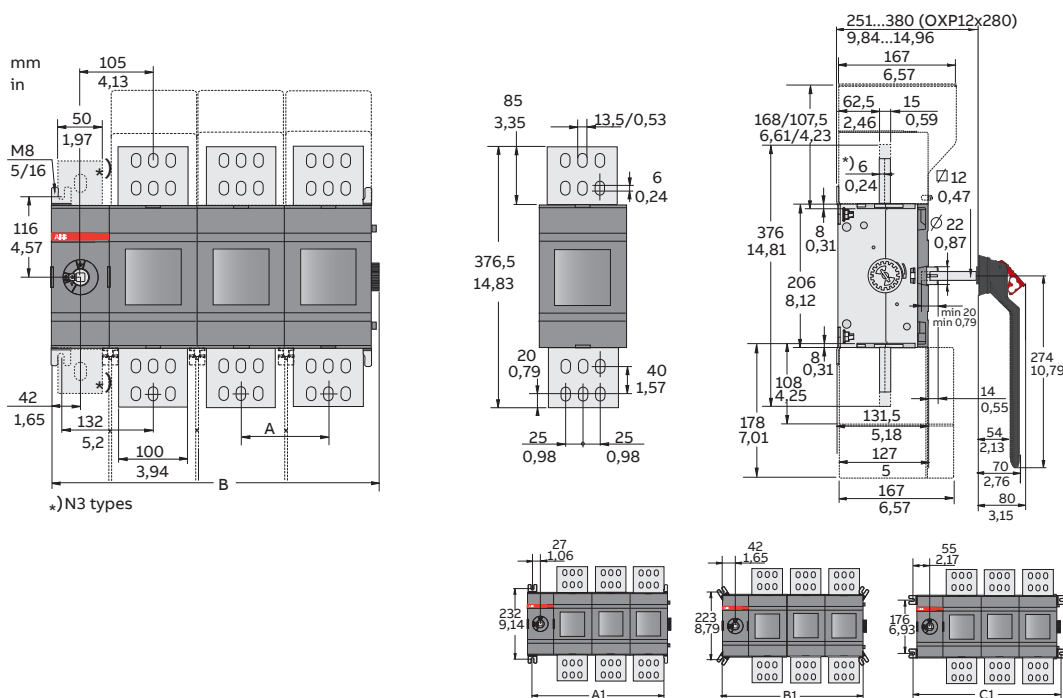
M07010\_OT1000\_1600EP A

# Manual switch-disconnectors OT160...4000

## Dimensional drawings

### Front operated earthing switches OT1000...2500, base mounted, IEC

#### OT2000...2500EP\_



| OT2000/2500EP_ |            |             |             |             |
|----------------|------------|-------------|-------------|-------------|
| [mm/in]        | 01         | 02          | 03          | 04          |
| A              |            | 126/4,96    | 126/4,96    | 126/4,96    |
| B              | 220,5/8,68 | 346,5/13,64 | 472,5/18,60 | 598,5/23,56 |
| A1             | 180/7,09   | 306/12,05   | 432/17,01   | 558/21,97   |
| B1             | 210/8,27   | 336/13,23   | 462/18,19   | 588/23,15   |
| C1             | 236/9,29   | 362/14,25   | 488/19,21   | 614/24,17   |

M07011\_OT2000\_2500EP A

# Manual switch-disconnectors OT160...4000

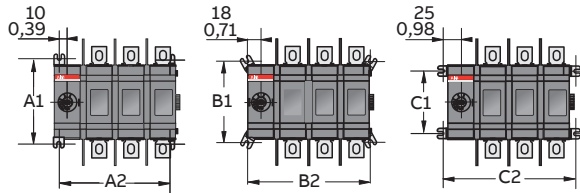
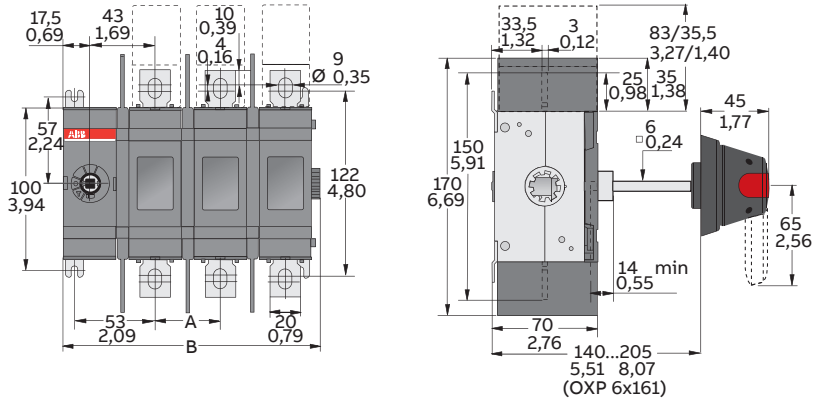
## Dimensional drawings

### Front operated non-fusible disconnect switches OT200...2000, base mounting, UL/CSA

#### OT200U\_

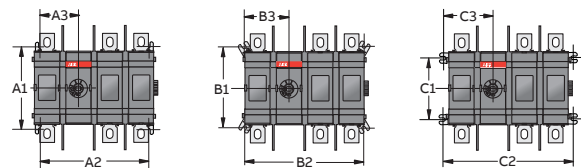
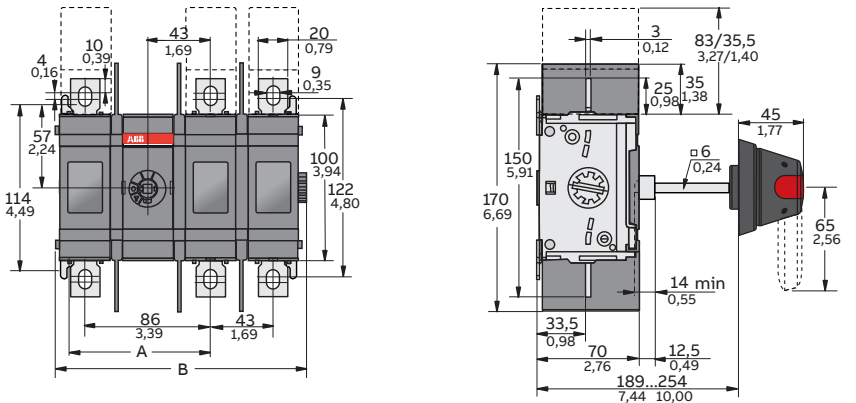
| OT200U_ |            |            |            |            |
|---------|------------|------------|------------|------------|
| [mm/in] | U01        | U02        | U03        | U04        |
| A       | -          | 43/1,69    | 43/1,69    | 43/1,69    |
| B       | 83,5/3,24  | 126,5/4,98 | 169,5/6,67 | 212,5/8,37 |
| A1      | 114/4,49   | 114/4,49   | 114/4,49   | 114/4,49   |
| A2      | 63/2,48    | 106/4,17   | 149/5,87   | 192/7,56   |
| B1      | 109,5/4,31 | 109,5/4,31 | 109,5/4,31 | 109,5/4,31 |
| B2      | 79/3,11    | 122/4,80   | 165/6,50   | 208/8,19   |
| C1      | 84/3,31    | 84/3,31    | 84/3,31    | 84/3,31    |
| C2      | 93/3,66    | 136/5,35   | 179/7,05   | 222/8,74   |

M00009/OT200U01\_04 E



| OT200U_ |            |            |            |            |
|---------|------------|------------|------------|------------|
| [mm/in] | U11        | U12        | U13        | U22        |
| A       | 96/3,78    | 96/3,78    | 96/3,78    | 139/5,47   |
| B       | 131,5/5,18 | 174,5/6,87 | 217,5/8,56 | 217,5/8,56 |
| A1      | 114/4,49   | 114/4,49   | 114/4,49   | 114/4,49   |
| A2      | 106/4,17   | 149/5,87   | 192/7,56   | 192/7,56   |
| A3      | 53/2,09    | 53/2,09    | 53/2,09    | 96/3,78    |
| B1      | 109,5/4,31 | 109,5/4,31 | 109,5/4,31 | 109,5/4,31 |
| B2      | 122/4,80   | 165/6,50   | 208/8,19   | 208/8,19   |
| B3      | 61/2,40    | 61/2,40    | 61/2,40    | 104/4,09   |
| C1      | 84/3,31    | 84/3,31    | 84/3,31    | 84/3,31    |
| C2      | 136/5,35   | 179/7,05   | 222/8,74   | 222/8,74   |
| C3      | 68/2,68    | 68/2,68    | 111/4,37   |            |

M00016/OT200U11\_22 F



# Manual switch-disconnectors OT160...4000

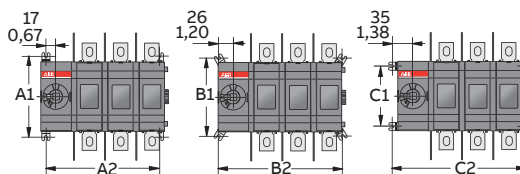
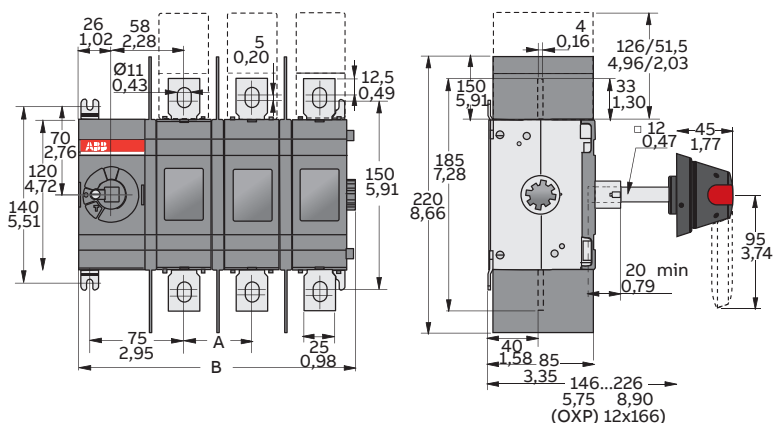
## Dimensional drawings

### Front operated non-fusible disconnect switches OT200...2000, base mounting, UL/CSA

#### OT400U\_

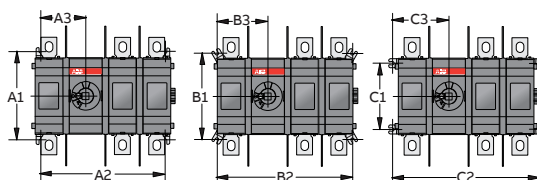
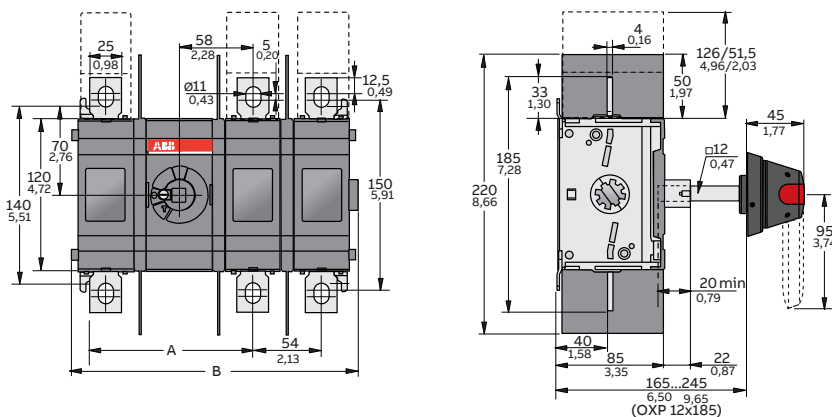
| OT400U_ |          |          |          |           |
|---------|----------|----------|----------|-----------|
| [mm/in] | U01      | U02      | U03      | U04       |
| A       | -        | 54/2,13  | 54/2,13  | 54/2,13   |
| B       | 113/4,45 | 167/6,58 | 221/8,70 | 275/10,83 |
| A1      | 140/5,51 | 140/5,51 | 140/5,51 | 140/5,51  |
| A2      | 88/3,47  | 142/5,59 | 196/7,72 | 250/9,84  |
| B1      | 135/5,32 | 135/5,32 | 135/5,32 | 135/5,32  |
| B2      | 106/4,17 | 160/4,17 | 214/8,43 | 268/10,55 |
| C1      | 104/4,09 | 104/4,09 | 104/4,09 | 104/4,09  |
| C2      | 124/4,88 | 178/7,01 | 232/9,13 | 286/11,27 |

M00019/OT400U01\_04 E



| OT400U_ |          |          |           |           |
|---------|----------|----------|-----------|-----------|
| [mm/in] | U11      | U12      | U13       | U22       |
| A       | 129/5,08 | 129/5,08 | 129/5,08  | 183/7,21  |
| B       | 172/6,77 | 226/8,90 | 280/11,02 | 280/11,02 |
| A1      | 140/5,51 | 140/5,51 | 140/5,51  | 140/5,51  |
| A2      | 142/5,59 | 196/7,72 | 250/9,84  | 250/9,84  |
| A3      | 71/2,80  | 71/2,80  | 71/2,80   | 125/4,92  |
| B1      | 135/5,32 | 135/5,32 | 135/5,32  | 135/5,32  |
| B2      | 160/6,30 | 214/8,43 | 268/10,55 | 268/10,55 |
| B3      | 80/3,15  | 80/3,15  | 80/3,15   | 134/5,28  |
| C1      | 104/4,09 | 104/4,09 | 104/4,09  | 104/4,09  |
| C2      | 178/7,01 | 232/9,13 | 286/11,26 | 286/11,27 |
| C3      | 89/3,50  | 89/3,50  | 143/5,63  |           |

M00020/OT400U11\_22 F



# Manual switch-disconnectors OT160...4000

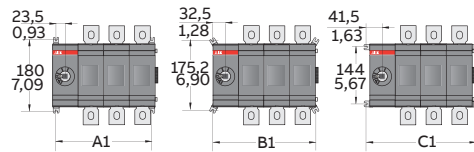
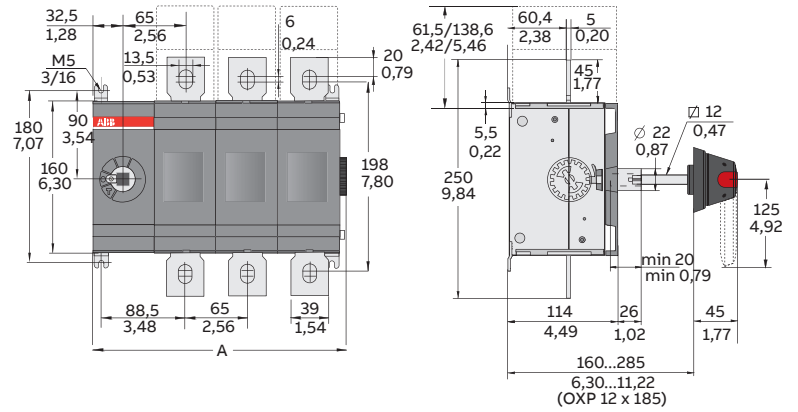
## Dimensional drawings

### Front operated non-fusible disconnect switches OT200...2000, base mounting, UL/CSA

#### OT600U\_

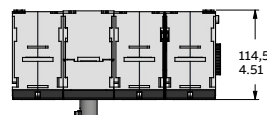
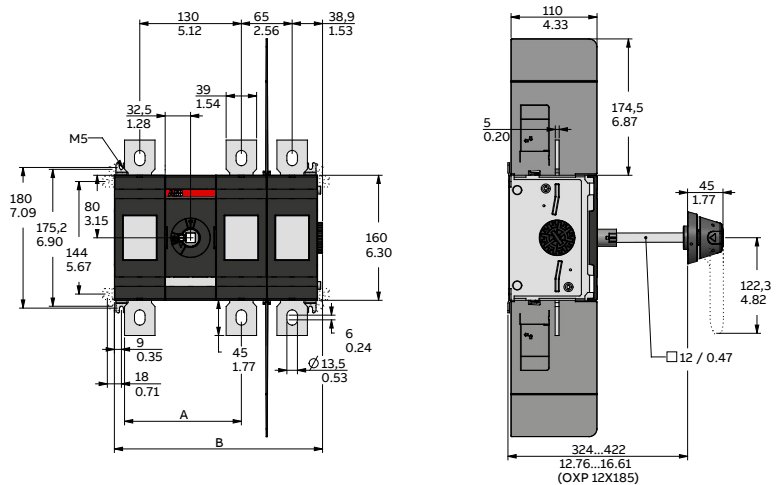
| OT600U_ |          |          |           |           |
|---------|----------|----------|-----------|-----------|
| [mm/in] | U01      | U02      | U03       | U04       |
| A       | 136/5,35 | 201/7,91 | 266/10,47 | 331/13,03 |
| A1      | 112/4,41 | 177/6,97 | 242/9,53  | 307/12,09 |
| B1      | 130/5,12 | 195/7,68 | 260/10,24 | 325/12,80 |
| C1      | 148/5,83 | 213/8,39 | 278/10,95 | 343/13,50 |

C00013\_/13OT630\_800\_01\_04 B



| OT600U_ |            |             |             |             |
|---------|------------|-------------|-------------|-------------|
| [mm/in] | U11        | U12         | U13         | U22         |
| A       | 156,3/6.15 | 156,3/6.15  | 156,3/6.15  | 221,3/8.71  |
| B       | 201,4/7.93 | 266,4/10.49 | 331,4/13.05 | 331,4/13.05 |

M00527/OT600U\_A

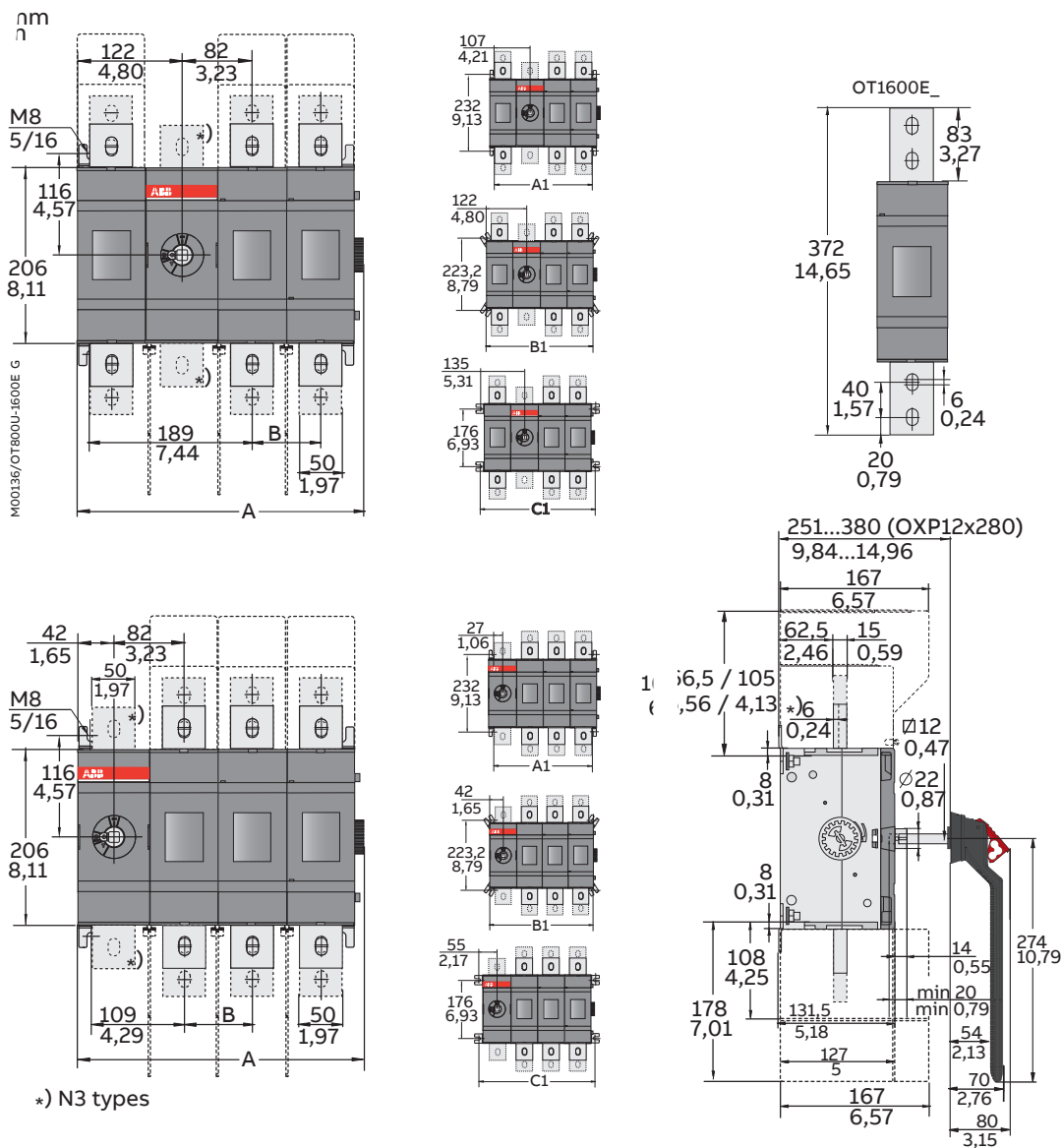


# Manual switch-disconnectors OT160...4000

## Dimensional drawings

Front operated non-fusible disconnect switches OT200...2000, base mounting, UL/CSA

### OT800U\_P and OT1200U\_P



### OT800/1200 U\_P

| [mm/in] | 01          | 02           | 03           | 04           | 11           | 12           | 13           | 22           |
|---------|-------------|--------------|--------------|--------------|--------------|--------------|--------------|--------------|
| A       | 174,50/6,87 | 254,50/10,02 | 334,50/13,17 | 414,50/16,32 | 254,50/10,02 | 334,50/13,17 | 414,50/16,32 | 414,50/16,32 |
| B       |             | 80/3,15      | 80/3,15      | 80/3,15      |              | 80/3,15      | 80/3,15      | 80/3,15      |
| A1      | 134/5,28    | 214/8,43     | 294/11,57    | 374/14,72    | 214/8,43     | 294/11,57    | 374/14,72    | 374/14,72    |
| B1      | 164/6,46    | 244/9,61     | 324/12,76    | 404/15,91    | 244/9,61     | 324/12,76    | 404/15,91    | 404/15,91    |
| C1      | 190/7,48    | 270/10,63    | 350/13,78    | 430/16,93    | 270/10,63    | 350/13,78    | 430/16,93    | 430/16,93    |

M00135/OT800U-1600E G

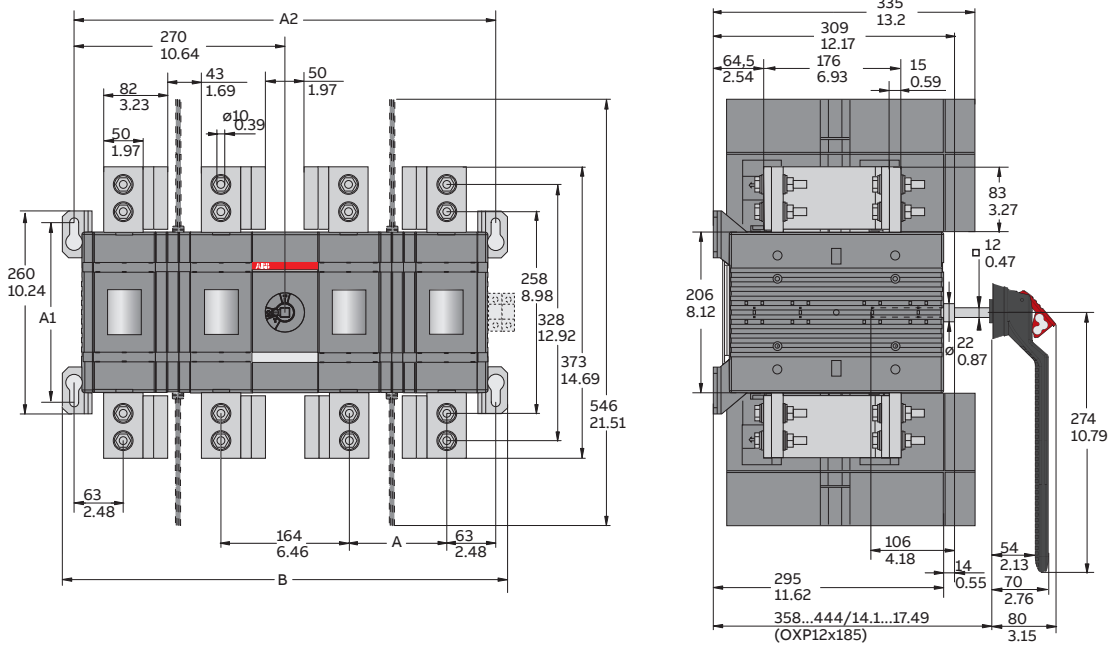
# Manual switch-disconnectors OT160...4000

## Dimensional drawings

### Front operated non-fusible disconnect switches OT200...2000, base mounting, UL/CSA

#### OT1600...2000U

Mechanism between the poles



| OT 1600-2000U_ |           |           |           |
|----------------|-----------|-----------|-----------|
| [mm/in]        | 12        | 13        | 22        |
| A              | 125/4.92  | 125/4.92  | 125/4.92  |
| A1             | 230/9.06  | 230/9.06  | 230/9.06  |
| A2             | 415/16.35 | 540/21.27 | 540/21.27 |
| B              | 445/17.53 | 570/22.46 | 570/22.46 |

M00496/OT2000U12-22 A

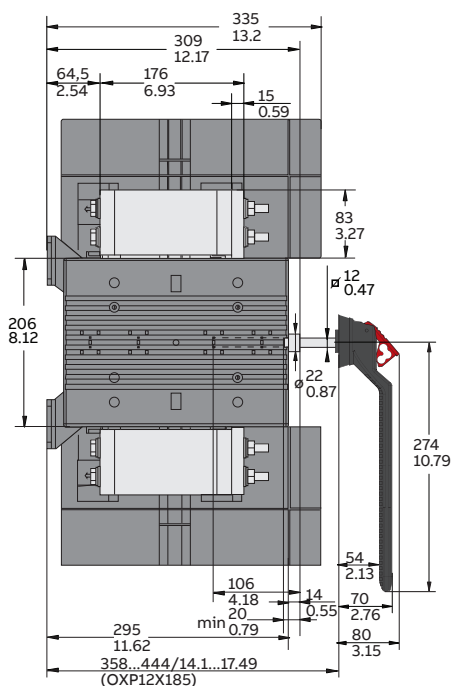
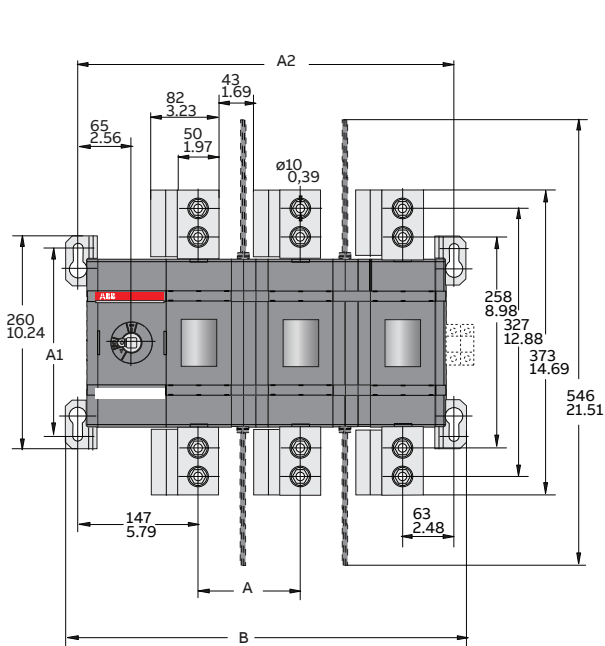
# Manual switch-disconnectors OT160...4000

## Dimensional drawings

### Front operated non-fusible disconnect switches OT200...2000, base mounting, UL/CSA

#### OT1600...2000U

Mechanism at the end of the switch



| OT 1600-2000U_ |           |           |           |
|----------------|-----------|-----------|-----------|
| [mm/in]        | 02        | 03        | 04        |
| A              | 125/4.92  | 125/4.92  | 125/4.92  |
| A1             | 230/9.06  | 230/9.06  | 230/9.06  |
| A2             | 335/13.2  | 460/18.12 | 585/23.05 |
| B              | 365/14.38 | 490/19.3  | 615/24.23 |



# Manual switch-disconnectors OT160...4000

## Dimensional drawings

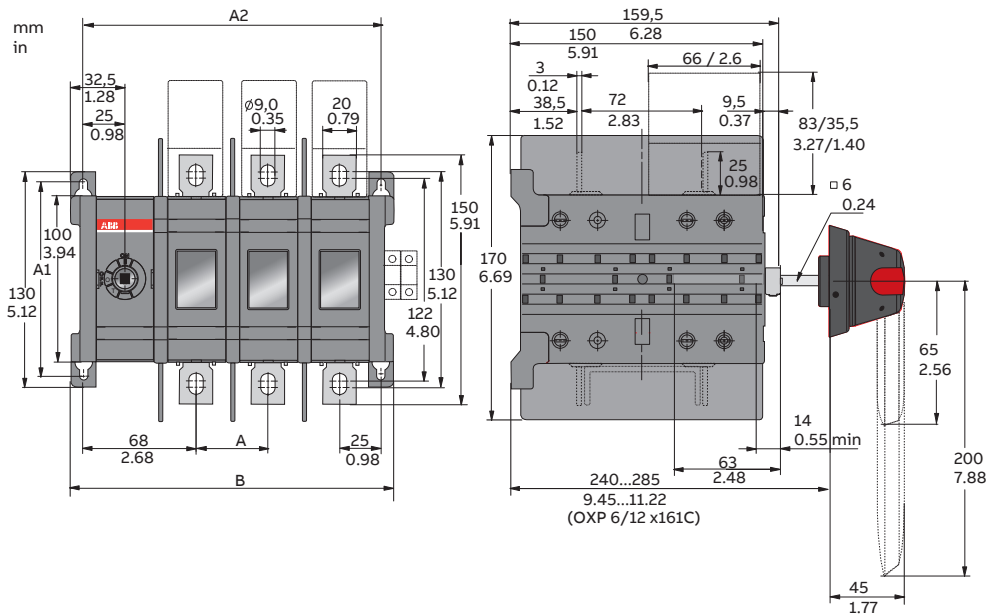
### Front operated 6-and 8-pole non-fusible disconnect switches OT200...800U\_DP

#### OT200U\_DP

Mechanism at the end of the switch

#### OT200U03-04DDP

| OT200U_D_ |            |            |
|-----------|------------|------------|
|           | U03        | U04        |
| A         | 43 / 1.69  | 43 / 1.69  |
| A1        | 116 / 4.57 | 116 / 4.57 |
| A2        | 179 / 7.05 | 222 / 8.74 |
| B         | 194 / 7.64 | 237 / 9.33 |

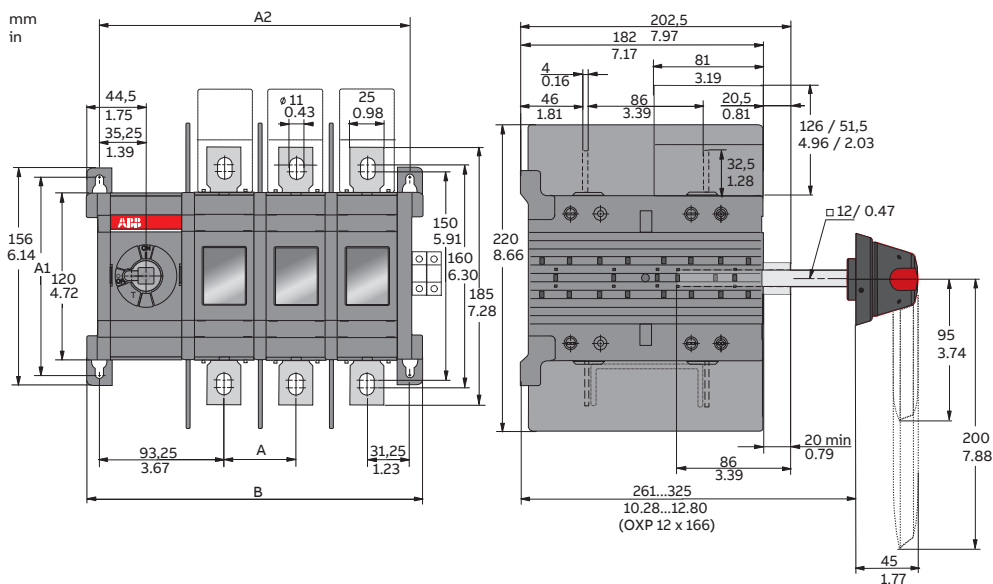


#### OT400U\_DP

Mechanism at the end of the switch

#### OT400U03-04DDP\_

| OT400U_D_ |              |               |
|-----------|--------------|---------------|
|           | U03          | U04           |
| A         | 54 / 2.13    | 54 / 2.13     |
| A1        | 142 / 5.59   | 142 / 5.59    |
| A2        | 232,5 / 9.15 | 286,5 / 11.28 |
| B         | 251 / 9.88   | 305 / 12.01   |



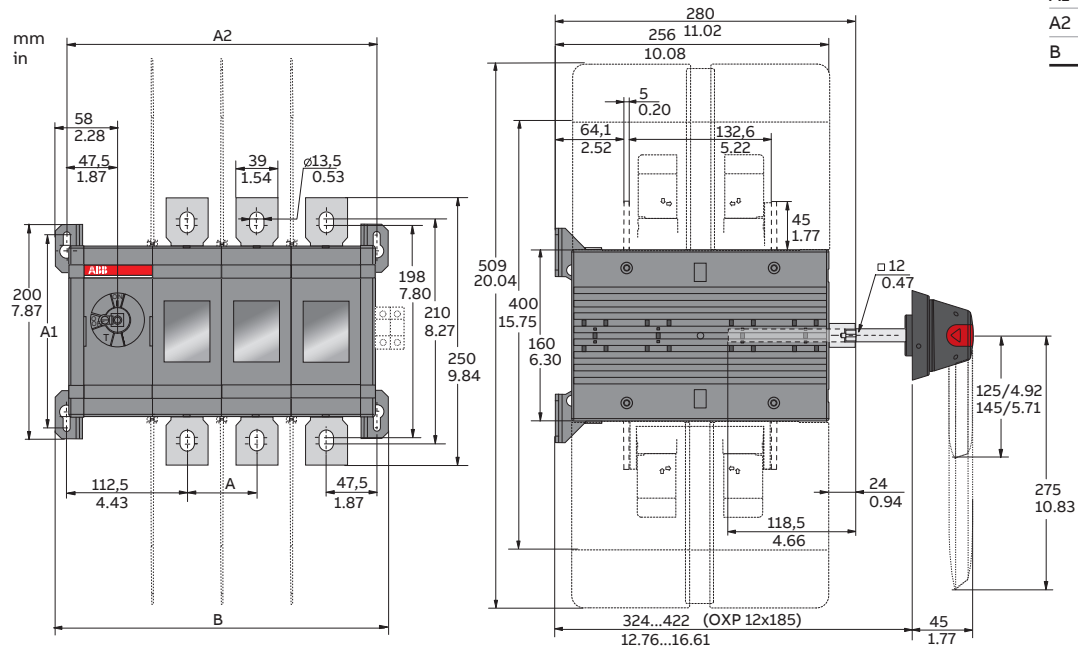
# Manual switch-disconnectors OT160...4000

## Dimensional drawings

### OT600U\_DP

Mechanism at the end of the switch

### OT600U03-04DDP

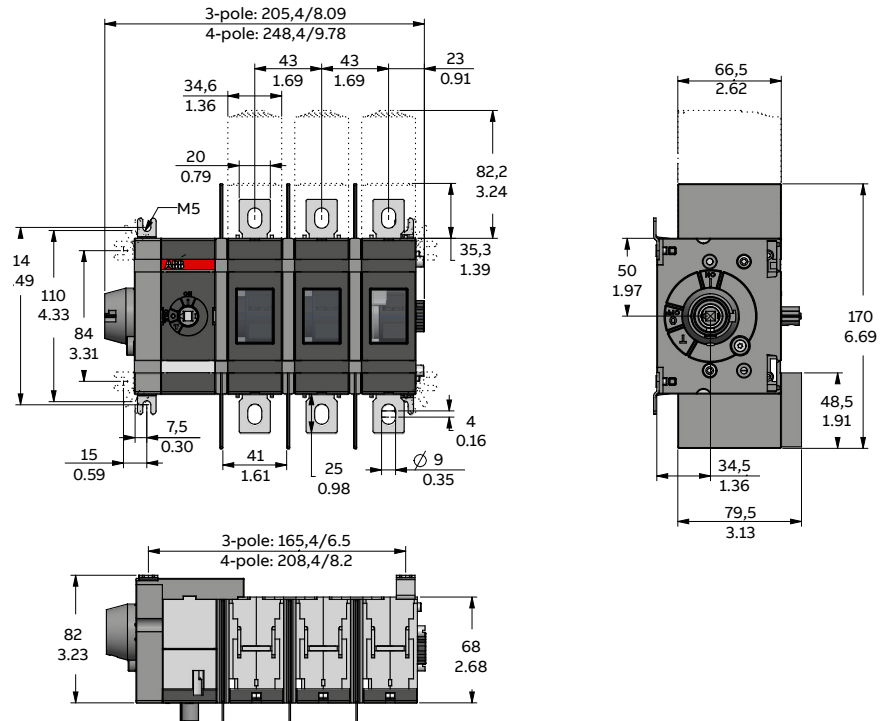


## Manual switch-disconnectors OT160...4000

### Dimensional drawings

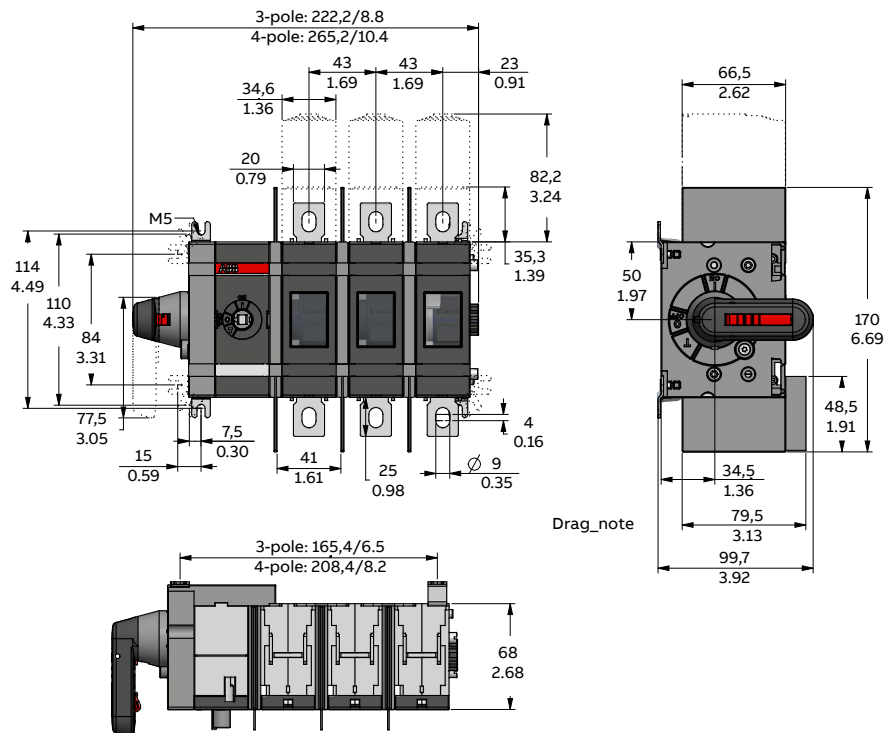
#### OT200US

Without handle



#### OT200US

With direct mount handle

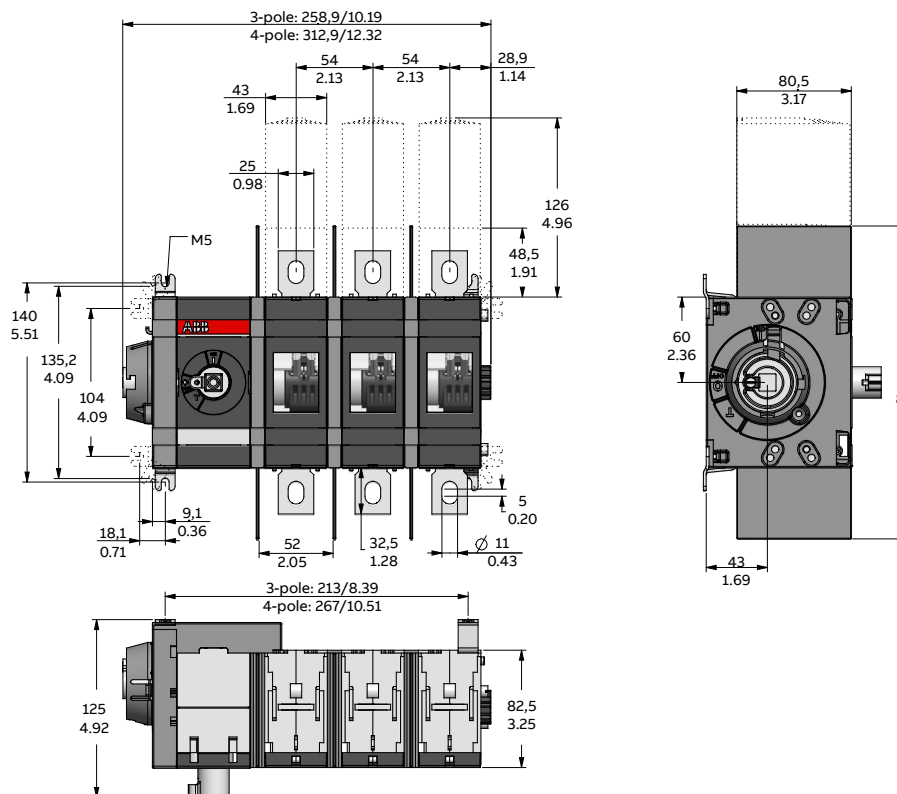


# Manual switch-disconnectors OT160...4000

## Dimensional drawings

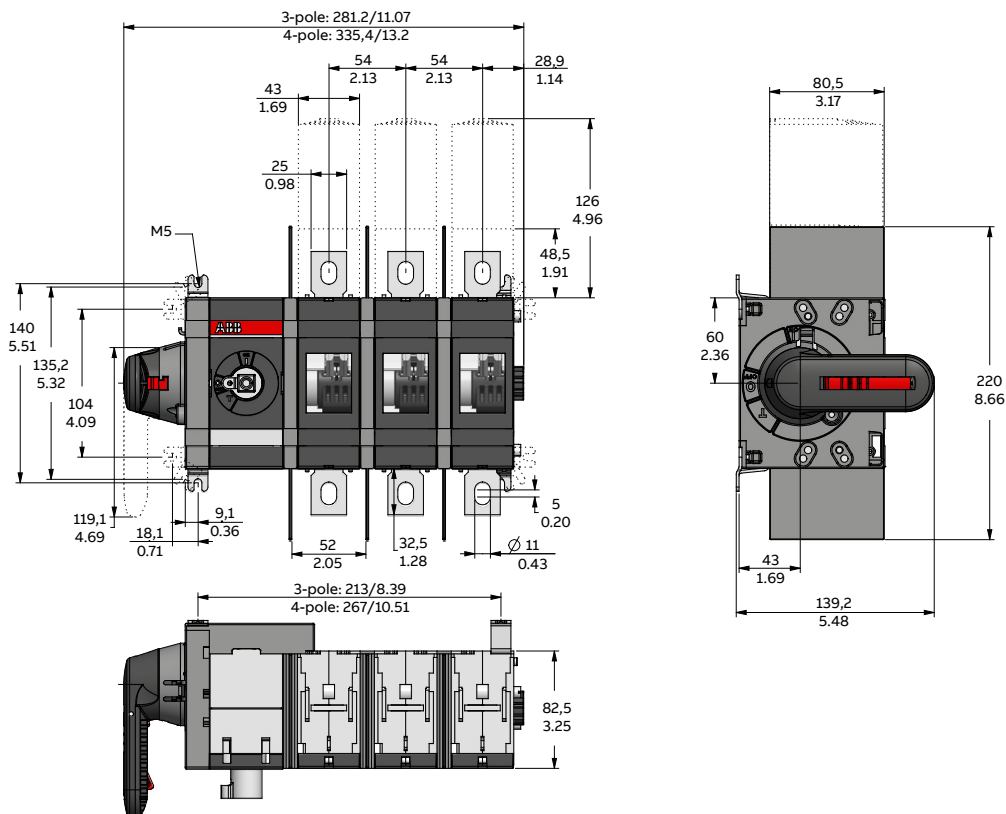
### OT400US

Without handle



### OT400US

With direct mount handle

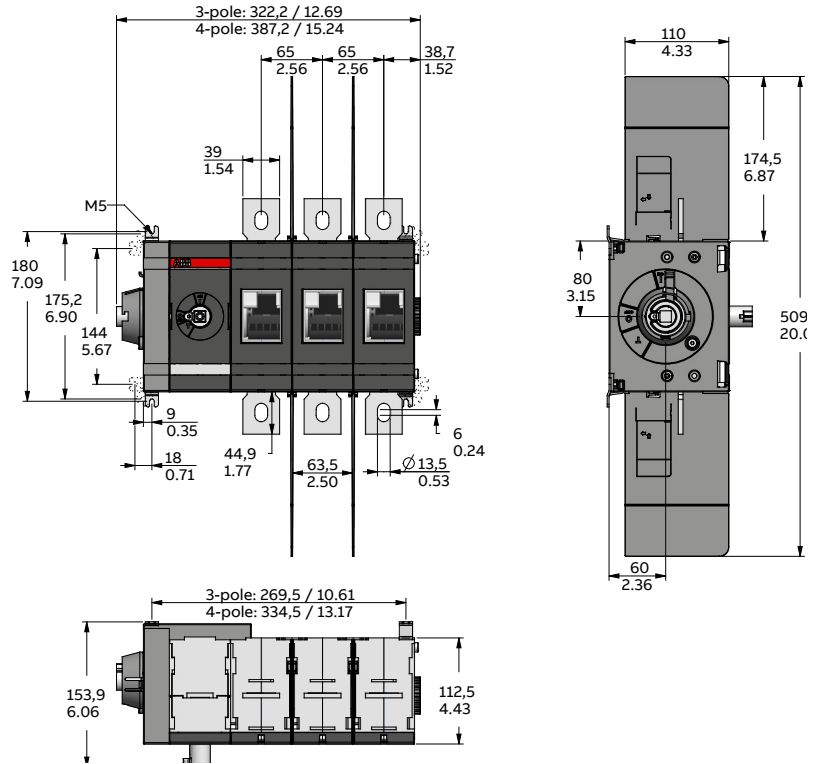


# Manual switch-disconnectors OT160...4000

## Dimensional drawings

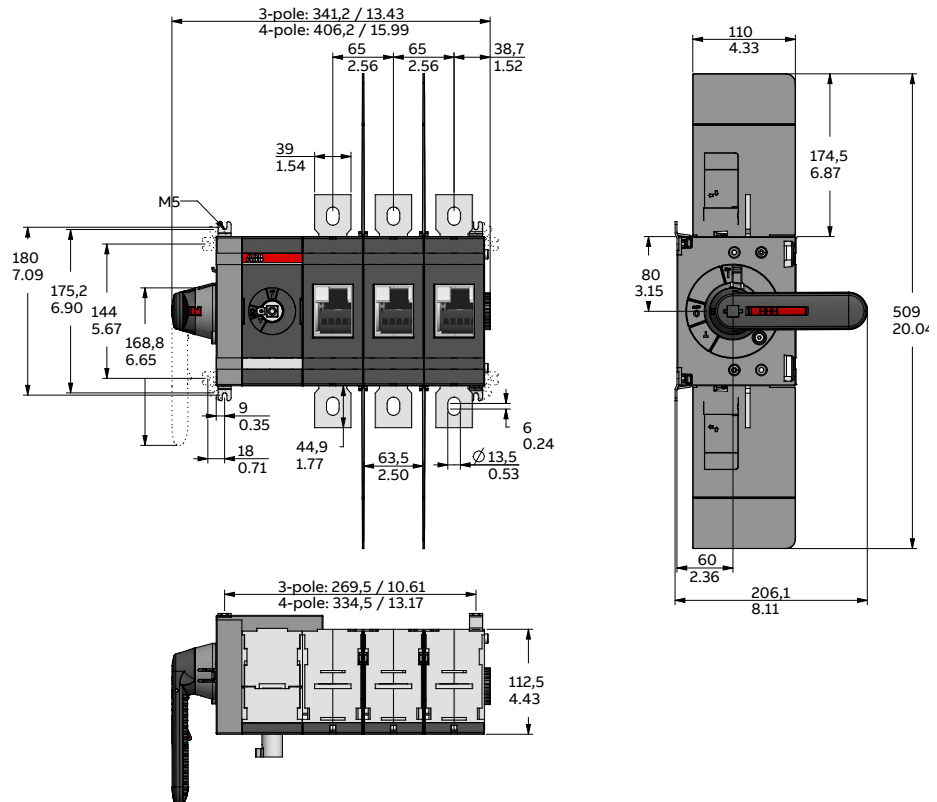
### OT600US

Without handle



### OT600US

With direct mount handle







## Accessories for manual switch-disconnectors OT160...4000

### Ordering information for handles



OHY\_



OHB\_



OHG125J12

#### Pistol handles for base and DIN-rail mounted switches

IP65, NEMA 1, 3R, 12, padlockable with three padlocks in OFF-position, door interlock in ON-position. Screw fixing from the back side of the handle. No screws on the front ensures double insulation.

| Suitable for switches                    | Colour     | Handle length<br>mm | Indication               | Type         | Order code      | Weight/<br>unit<br>kg |
|--|------------|---------------------|--------------------------|--------------|-----------------|-----------------------|
| <b>Suitable for shaft diameter 6 mm</b>  |            |                     |                          |              |                 |                       |
| OT160EV...250E,<br>OT200U                | Black      | 65                  | I-0, ON-OFF              | OHB65J6      | 1SCA022380R9660 | 0.12                  |
|  | Black      | 65                  | I-0, ON-OFF              | OHB65J6E20   | 1SCA022459R4220 | 0.12                  |
|  | Red-yellow | 65                  | I-0, ON-OFF              | OHY65J6      | 1SCA022380R9820 | 0.12                  |
|  | Red-yellow | 65                  | I-0, ON-OFF              | OHY65J6E20   | 1SCA022501R4700 | 0.12                  |
|  | Grey       | 65                  | I-0                      | OHG65J6      | 1SCA022380R9740 | 0.12                  |
|  | Black      | 80                  | I-0, ON-OFF              | OHB80J6      | 1SCA022381R0240 | 0.14                  |
|  | Red-yellow | 80                  | I-0, ON-OFF              | OHY80J6      | 1SCA022381R0410 | 0.14                  |
|  | Grey       | 80                  | I-0                      | OHG80J6      | 1SCA022381R0320 | 0.14                  |
|  | Black      | 65                  | Test-OFF-ON/<br>Test-0-I | OHB65J6T     | 1SCA022399R8110 | 0.12                  |
|  | Red-yellow | 65                  | Test-OFF-ON/<br>Test-0-I | OHY65J6T     | 1SCA022456R9540 | 0.12                  |
| <b>Suitable for shaft diameter 12 mm</b> |            |                     |                          |              |                 |                       |
| OT315...400E,<br>OT400U                  | Black      | 95                  | I-0, ON-OFF              | OHB95J12     | 1SCA022381R0830 | 0.16                  |
|  | Black      | 95                  | I-0, ON-OFF              | OHB95J12E20  | 1SCA022833R3750 | 0.16                  |
|  | Red-yellow | 95                  | I-0, ON-OFF              | OHY95J12     | 1SCA022381R1050 | 0.16                  |
|  | Grey       | 95                  | I-0                      | OHG95J12     | 1SCA022381R0910 | 0.16                  |
|  | Black      | 95                  | Test-OFF-ON/<br>Test-0-I | OHB95J12T    | 1SCA022736R1750 | 0.16                  |
|  | Red-yellow | 95                  | Test-OFF-ON/<br>Test-0-I | OHY95J12T    | 1SCA022736R1910 | 0.16                  |
| OT630...800E,<br>OT600U                  | Black      | 125                 | I-0, ON-OFF              | OHB125J12    | 1SCA022381R1560 | 0.17                  |
|  | Black      | 125                 | I-0, ON-OFF              | OHB125J12E20 | 1SCA022382R9770 | 0.17                  |
|  | Red-yellow | 125                 | I-0, ON-OFF              | OHY125J12    | 1SCA022381R1720 | 0.17                  |
|  | Red-yellow | 125                 | I-0, ON-OFF              | OHY125J12E20 | 1SCA022501R5000 | 0.17                  |
|  | Grey       | 125                 | I-0                      | OHG125J12    | 1SCA022381R1640 | 0.17                  |
|  | Black      | 145                 | I-0, ON-OFF              | OHB145J12    | 1SCA022381R2110 | 0.17                  |
|  | Red-yellow | 145                 | I-0, ON-OFF              | OHY145J12    | 1SCA022381R2370 | 0.17                  |
|  | Grey       | 145                 | I-0                      | OHG145J12    | 1SCA022381R2290 | 0.17                  |
|  | Black      | 125                 | Test-OFF-ON/<br>Test-0-I | OHB125J12T   | 1SCA022652R2220 | 0.17                  |

- Door interlocking in ON-position means that the door can not be opened, when the handle is in ON-position. The door interlocking can be defeated in IP65 types to allow authorized personnel access for inspection. The door is interlocked when the non-defeatable handle is padlocked.
- Consult us for NEMA4/4X versions.
- E20 Handles padlockable in ON and OFF-positions.



## Accessories for manual switch-disconnectors OT160...4000

### Ordering information for handles



OHB150/200J12P



OHB274/330J12



OHY200J12P



OHY175J12

#### Pistol handles

Padlockable with three padlocks in OFF-position, door interlock in ON-position. Screw fixing from the back side of the handle. No screws on the front ensures double insulation.

| Suitable for switches                    | Colour     | Handle length<br>mm | Indication               | Type          | Order code      | Weight/<br>unit<br>kg |
|--|------------|---------------------|--------------------------|---------------|-----------------|-----------------------|
| <b>Suitable for shaft diameter 12 mm</b> |            |                     |                          |               |                 |                       |
| IP65, NEMA 1, 3R, 12, double grip        |            |                     |                          |               |                 |                       |
| OT1000...2500E,<br>OT800...1200U         | Black      | 2x150               | I-O, ON-OFF              | OHB150J12P    | 1SCA022865R9430 | 0.17                  |
|  | Black      | 2x150               | I-O, ON-OFF              | OHB150J12PE20 | 1SCA157054R1001 | 0.17                  |
|  | Red-yellow | 2x150               | I-O, ON-OFF              | OHY150J12P    | 1SCA101586R1001 | 0.17                  |
|  | Black      | 2x200               | I-O, ON-OFF              | OHB200J12P    | 1SCA022865R9510 | 0.40                  |
|  | Black      | 2x200               | I-O, ON-OFF              | OHB200J12PE20 | 1SCA106288R1001 | 0.40                  |
|  | Red-yellow | 2x200               | I-O, ON-OFF              | OHY200J12P    | 1SCA101587R1001 | 0.40                  |
|  | Black      | 2x200               | Test-OFF-ON/<br>Test-0-I | OHB200J12PT   | 1SCA106510R1001 | 0.40                  |
| NEMA 4X, double grip                     |            |                     |                          |               |                 |                       |
| OT1000...2500E,<br>OT800...1200U         | Black      | 2x200               | I-O, ON-OFF              | OHB200L12P    | 1SCA111564R1001 | 0.40                  |
| P65, NEMA 1, 3R, 12                      |            |                     |                          |               |                 |                       |
| OT1000...<br>4000E,<br>OT800...2000U     | Black      | 274                 | I-O, ON-OFF              | OHB274J12     | 1SCA115920R1001 | 0.54                  |
|  | Black      | 274                 | I-O, ON-OFF              | OHB274J12PE20 | 1SCA120919R1001 | 0.54                  |
|  | Red-yellow | 274                 | I-O, ON-OFF              | OHY274J12     | 1SCA115919R1001 | 0.54                  |
|  | Black      | 330                 | I-O, ON-OFF              | OHB330J12     | 1SCA115922R1001 | 0.58                  |
|  | Black      | 274                 | Test-OFF-ON/<br>Test-0-I | OHB274J12T    | 1SCA120250R1001 | 0.54                  |
|  | Black      | 330                 | Test-OFF-ON/<br>Test-0-I | OHB330J12T    | 1SCA120252R1001 | 0.58                  |

- Door interlocking in ON-position means that the door can not be opened, when the handle is in ON-position. The door interlocking can be defeated in IP65 types to allow authorized personnel access for inspection. The door is interlocked when the non-defeatable handle is padlocked.
- NEMA 4, 4x pistol handles available on request.
- E20 Handles padlockable in ON and OFF-positions.

#### Stainless steel pistol handles

IP66 (NEMA 4X). Material: AISI 316. Padlockable with 3 padlocks in the OFF-position, door interlock in the ON-position.



OHM65L6



OHM200L12P

| Colour                                   | Handle length<br>mm | Indication | Type       | Order code      | Weight/<br>unit<br>kg |
|--|---------------------|------------|------------|-----------------|-----------------------|
| <b>Suitable for shaft diameter 6 mm</b>  |                     |            |            |                 |                       |
| Grey                                     | 65                  | I-O/ON-OFF | OHM65L6    | 1SCA022739R1070 | 0.73                  |
| <b>Suitable for shaft diameter 12 mm</b> |                     |            |            |                 |                       |
| Grey                                     | 125                 | I-O/ON-OFF | OHM125L12  | 1SCA022739R1150 | 0.76                  |
| Grey                                     | 175                 | I-O/ON-OFF | OHM175L12  | 1SCA022739R1230 | 0.83                  |
| Grey                                     | 275                 | I-O/ON-OFF | OHM275L12  | 1SCA022832R4840 | 0.96                  |
| Grey                                     | 2x200               | I-O/ON-OFF | OHM200L12P | 1SCA104439R1001 | 2.00                  |

- Door interlocking in ON-position means that the door can not be opened, when the handle is in ON-position. The door interlocking can be defeated in IP65 types to allow authorized personnel access for inspection. The door is interlocked when the non-defeatable handle is padlocked.

## Accessories for manual switch-disconnectors OT160...4000

Ordering information for handles



OTV400EK



OTV1000EK



OTVY400EK



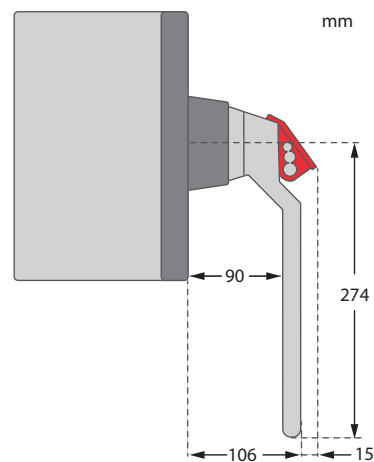
OTV1000EPK

### Direct mount handles

Includes a shaft and a mechanism cover. Indication Test-OFF-ON/Test-O-I. Padlockable with three padlocks in OFF-position.

| Suitable for switches        | Colour     | Handle length | Type       | Order code      | Weight/unit |
|------------------------------|------------|---------------|------------|-----------------|-------------|
|                              |            | mm            |            |                 | kg          |
| OT160EV...250E, OT200U       | Black      | 65            | OTV250EK   | 1SCA022763R2700 | 0.10        |
|                              | Red-yellow | 65            | OTVY250EK  | 1SCA022772R7910 | 0.10        |
| OT315...400E, OT400U         | Black      | 95            | OTV400EK   | 1SCA022763R2960 | 0.20        |
|                              | Red-yellow | 95            | OTVY400EK  | 1SCA022772R7830 | 0.20        |
| OT630...800E, OT600U         | Black      | 145           | OTV800EK   | 1SCA022804R6340 | 0.30        |
|                              | Red-yellow | 145           | OTVY800EK  | 1SCA022810R2780 | 0.30        |
| OT1000...2500, OT800...2000U | Black      | 274           | OTV1000EK  | 1SCA106608R1001 | 0.75        |
| OT1000...2500, OT800...2000U | Black      | 2x200         | OTV1000EPK | 1SCA121085R1001 | 0.90        |
| OT3200...4000                | Black      | 274           | OTV3200EK  | 1SCA144572R1001 | 0.75        |

### OTV1000EK dimensions



## Accessories for manual switch-disconnectors OT160...4000

### Dimensional drawings for handles



OHB65J6E00S



OHY65J6E00S

#### Handles for side operated switch-disconnectors

IP65, Nema type 1, 3R, 12. Plastic handles. For mounting on the side of the enclosure. Padlockable with three padlocks in the OFF-position, door interlock in the ON-position when the handle is mounted on the door. The position indications are rotated 90°.

| Colour                                   | Handle length | Indication      | Type          | Order code      | Weight/ unit |
|--|---------------|-----------------|---------------|-----------------|--------------|
|  | mm            |                 |               |                 | kg           |
| <b>Suitable for shaft diameter 6 mm</b>  |               |                 |               |                 |              |
| Black                                    | 65            | I-O/ON-OFF      | OHB65J6E00S   | 1SCA022382R9850 | 0.12         |
| Red-yellow                               | 65            | I-O/ON-OFF      | OHY65J6E00S   | 1SCA022382R9930 | 0.12         |
| Grey                                     | 65            | I-O             | OHG65J6E00S   | 1SCA022383R4510 | 0.12         |
| Black                                    | 65            | Test/I-O/ON-OFF | OHB65J6TE00S  | 1SCA109016R1001 | 0.12         |
| Red-yellow                               | 65            | Test/I-O/ON-OFF | OHY65J6TE00S  | 1SCA022688R0140 | 0.12         |
| Grey                                     | 65            | Test/I-O        | OHG65J6TE00S  | 1SCA109014R1001 | 0.12         |
| <b>Suitable for shaft diameter 12 mm</b> |               |                 |               |                 |              |
| Black                                    | 145           | I-O/ON-OFF      | OHB145J12E00S | 1SCA022679R9700 | 0.17         |

- Door interlocking in ON-position means that the door on which the handle is mounted can not be opened, when the handle is in ON-position. The door interlocking can be defeated to allow authorized personnel access for inspection. The door is interlocked when the non-defeatable handle is padlocked.

#### Handle extension

Snap-on extension handle to ease the operation of 6- and 8-pole switches



OHBZX200



OHBZX275

| Suitable for switches        | Colour | Handle length | For handle type | Type     | Order number    | Weight/ unit |
|------------------------------|--------|---------------|-----------------|----------|-----------------|--------------|
|                              |        | mm            |                 |          |                 | kg           |
| OT160E...250E_D/DD, OT200U_D | Black  | 125           | OTV_            | OHBZV125 | 1SCA125962R1001 | 0.05         |
| OT160E...400E_D/DD, OT200U_D | Black  | 200           | OTV_, OHB_      | OHBZX200 | 1SCA125960R1001 | 0.13         |
| OT630...800E_D/DD, OT600U_D  | Black  | 275           | OTV_, OHB_      | OHBZX275 | 1SCA125963R1001 | 0.18         |

#### NFPA79 Handle for switches

Suitable for switches with 6 mm shaft.



NFPA Handle

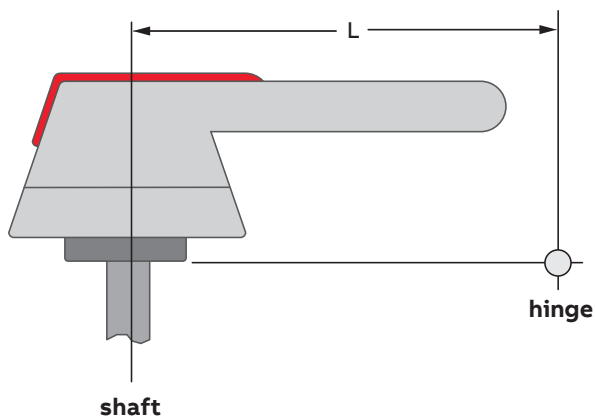
| Suitable for switches                                       | Colour | Handle length | Indication | Type                        | Order number    | Weight/ unit |
|---|--------|---------------|------------|-----------------------------|-----------------|--------------|
|   |        | mm            |            |                             |                 | kg           |
| OT30G3...OT160G3-_BS<br>OT30F...OT125F<br>OT160G_<br>OT200U | Black  | 149           | ON-OFF     | NFPA Handle<br>1SDA085244R6 | 1SCA162415R1001 | 0.13         |

## Accessories for manual switch-disconnectors OT160...4000

Dimensional drawings for pistol handles

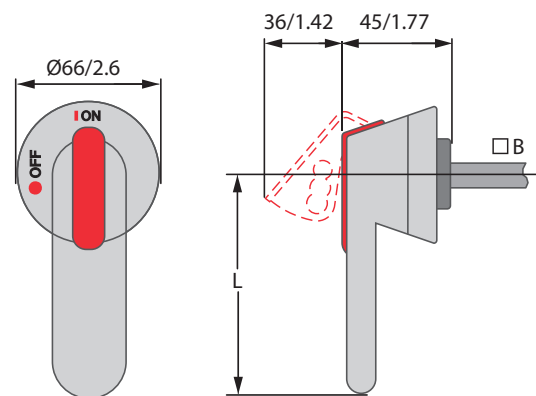
### Minimum distance L between the hinge and the rotating shaft

| Sizes           | Length L | Length L | Handle type |
|-----------------|----------|----------|-------------|
| A               | mm       | in       |             |
| OT160...250_P   | 60       | 2.36     | OH_65J_     |
| OT315...400_P   | 95       | 3.74     | OH_95J_     |
| OT630...800_P   | 150      | 5.91     | OH_125J_    |
| OT1000...4000_P | 274      | 10.79    | OH_274J_    |
| OT1000...4000_P | 330      | 12.99    | OH_330J_    |

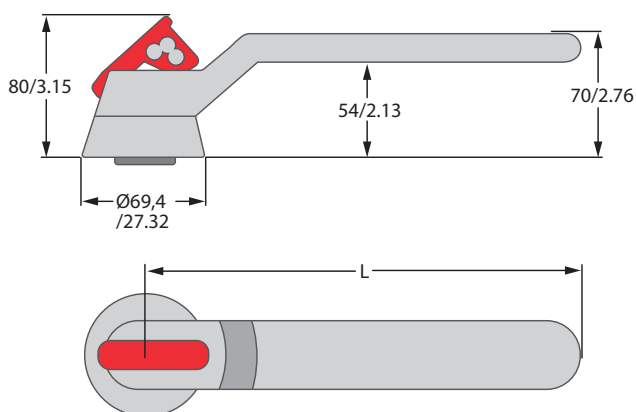
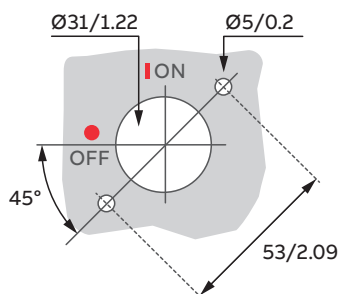


### Plastic handles, type OH

| Handle type | Shaft diameter B | Length L | Length L |
|-------------|------------------|----------|----------|
|             |                  | mm       | in       |
| OH_65J6     | 6                | 65       | 2.56     |
| OH_80J6     | 6                | 80       | 3.15     |
| OH_95J12    | 12               | 95       | 3.74     |
| OH_125J12   | 12               | 125      | 4.92     |
| OH_145J12   | 12               | 145      | 5.71     |
| OH_175J12   | 12               | 175      | 6.89     |
| OH_275J12   | 12               | 275      | 10.83    |



Door drilling for OH\_ handles:



| Handle type | Length L | Length L |
|-------------|----------|----------|
|             | mm       | in       |
| OH_274J12   | 274      | 10.79    |
| OH_330J12   | 330      | 12.99    |

Main dimensions mm, inches

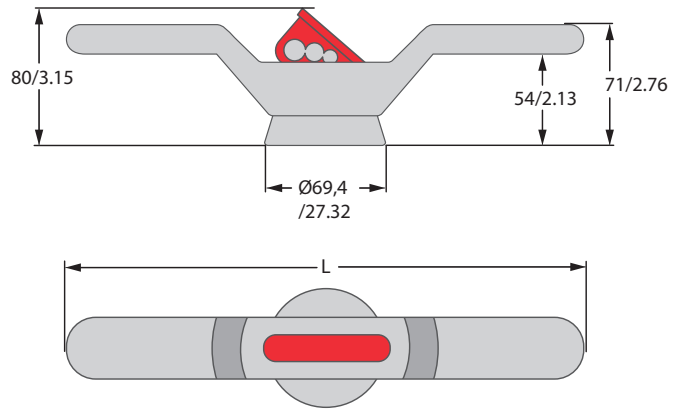
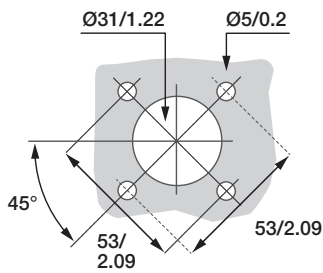
## Accessories for manual switch-disconnectors OT160...4000

### Dimensional drawings for pistol handles

#### Plastic handles, type OHB

| Handle type | Length L |       |
|-------------|----------|-------|
|             | mm       | in    |
| OHB150J12P  | 300      | 11.81 |
| OHB200J12P  | 400      | 15.75 |

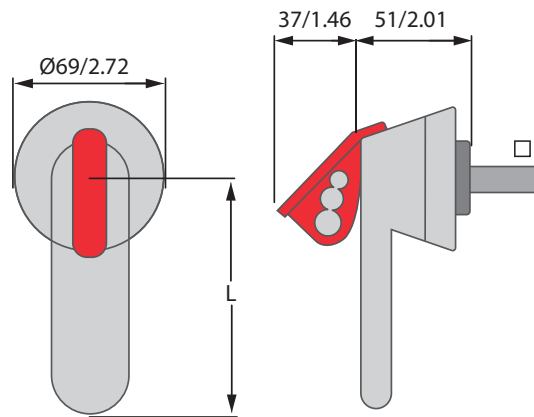
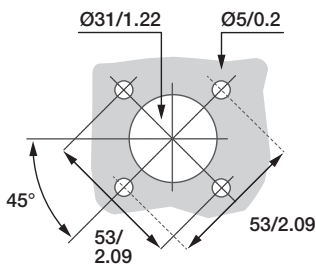
Door drilling for OHB\_handles:



#### Stainless steel handles

| Handle type | Shaft diameter B | Length L |       |
|-------------|------------------|----------|-------|
|             |                  | mm       | in    |
| OHM65L6     | 6                | 65       | 2.56  |
| OHM125L12   | 12               | 125      | 4.92  |
| OHM175L12   | 12               | 175      | 6.89  |
| OHM275L12   | 12               | 275      | 10.83 |

Door drilling for OHM\_handles:



Main dimensions mm, inches

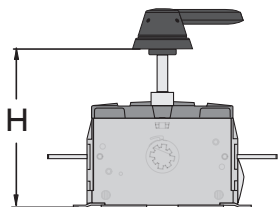
## Accessories for manual switch-disconnectors OT160...4000

### Ordering information for shafts

#### Shafts for pistol handles



OX P6X\_



OX P\_X\_

| For switches                                | Shaft length | Mounting depth H | Type            | Order code      | Weight/ unit |
|---|--------------|------------------|-----------------|-----------------|--------------|
|   | mm           | mm               |                 |                 | kg           |
| <b>Shaft diameter 6 mm</b>                  |              |                  |                 |                 |              |
| OT160EV...250E, OT200U <sup>1)</sup>        | 130          | 109...174        | OX P6X130       | 1SCA022057R0570 | 0.04         |
|   | 150          | 129...194        | OX P6X150       | 1SCA022295R5600 | 0.05         |
|   | 161          | 140...205        | OX P6X161       | 1SCA022067R1760 | 0.05         |
|   | 210          | 189...254        | OX P6X210       | 1SCA022295R6080 | 0.06         |
|   | 290          | 269...334        | OX P6X290       | 1SCA022042R6370 | 0.08         |
| <b>Shaft diameter 12 mm</b>                 |              |                  |                 |                 |              |
| OT315...400E,<br>OT400U                     | 166          | 146...226        | OX P12X166      | 1SCA022325R7100 | 0.20         |
|   | 185          | 165...245        | OX P12X185      | 1SCA022325R6710 | 0.20         |
|   | 250          | 230...310        | OX P12X250      | 1SCA022325R6980 | 0.28         |
|   | 280          | 260...340        | OX P12X280      | 1SCA022137R5140 | 0.30         |
|   | 325          | 305...385        | OX P12X325      | 1SCA022042R5810 | 0.36         |
|   | 395          | 375...455        | OX P12X395      | 1SCA022042R5990 | 0.43         |
|   | 465          | 445...525        | OX P12X465      | 1SCA022042R6020 | 0.51         |
| 535   | 515...595    | OX P12X535       | 1SCA022042R6110 | 0.59            |              |
| <b>Shaft diameter 12 mm</b>                 |              |                  |                 |                 |              |
| OT630...800E,<br>OT600U                     | 185          | 165...245        | OX P12X185      | 1SCA022325R6710 | 0.20         |
|   | 250          | 230...345        | OX P12X250      | 1SCA022325R6980 | 0.28         |
|   | 280          | 260...375        | OX P12X280      | 1SCA022137R5140 | 0.30         |
|   | 325          | 305...420        | OX P12X325      | 1SCA022042R5810 | 0.36         |
|   | 395          | 375...490        | OX P12X395      | 1SCA022042R5990 | 0.43         |
|   | 465          | 445...560        | OX P12X465      | 1SCA022042R6020 | 0.51         |
|   | 535          | 515...630        | OX P12X535      | 1SCA022042R6110 | 0.59         |
| <b>Shaft diameter 12 mm</b>                 |              |                  |                 |                 |              |
| OT1000...2500E, OT800...1200U <sup>1)</sup> | 250          | 221...350        | OX P12X250      | 1SCA022325R6980 | 0.28         |
|   | 280          | 251...380        | OX P12X280      | 1SCA022137R5140 | 0.30         |
|   | 325          | 296...425        | OX P12X325      | 1SCA022042R5810 | 0.36         |
|   | 395          | 366...495        | OX P12X395      | 1SCA022042R5990 | 0.43         |
|   | 465          | 436...565        | OX P12X465      | 1SCA022042R6020 | 0.51         |
|   | 535          | 506...635        | OX P12X535      | 1SCA022042R6110 | 0.59         |
| <b>Shaft diameter 12 mm</b>                 |              |                  |                 |                 |              |
| OT3200...4000E, OT1600...200U               | 280          | 251...380        | OX P12X280      | 1SCA022137R5140 | 0.30         |
|   | 325          | 296...425        | OX P12X325      | 1SCA022042R5810 | 0.36         |
|   | 395          | 366...495        | OX P12X395      | 1SCA022042R5990 | 0.43         |
|   | 465          | 436...565        | OX P12X465      | 1SCA022042R6020 | 0.51         |
|   | 535          | 506...635        | OX P12X535      | 1SCA022042R6110 | 0.59         |

<sup>1)</sup> Longer shafts on request

<sup>2)</sup> Wide versions OT1000-2500W\_: with shafts over 280 mm, shaft tube OXT20X210X must be used, see page 129.

## Accessories for manual switch-disconnectors OT160...4000

### Ordering information for shafts

#### Twisted shafts for pistol handles

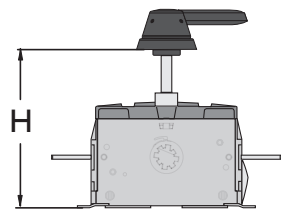
Twisted shafts for pistol handles. Shaft is rotated 45 degrees.



OXP6X\_-45



OXP12X\_-45



OXP\_X\_

| For switches                  | Shaft length | Mounting depth H | Type         | Order code      | Weight/ unit |
|-------------------------------|--------------|------------------|--------------|-----------------|--------------|
|                               | mm           | mm               |              |                 | kg           |
| <b>Shaft diameter 6 mm</b>    |              |                  |              |                 |              |
| OT160EV...250E, OT200U        | 130          | 109...174        | OXP6X130-45  | 1SCA022355R9110 | 0.04         |
|                               | 150          | 129...194        | OXP6X150-45  | 1SCA022294R4400 | 0.05         |
|                               | 210          | 189...254        | OXP6X210-45  | 1SCA022294R4230 | 0.06         |
|                               | 290          | 269...334        | OXP6X290-45  | 1SCA022304R4290 | 0.08         |
| <b>Shaft diameter 12 mm</b>   |              |                  |              |                 |              |
| OT315...800E, OT400...600U    | 250          | 230...310        | OXP12X250-45 | 1SCA022293R9400 | 0.28         |
|                               | 280          | 260...340        | OXP12X280-45 | 1SCA022382R0800 | 0.30         |
|                               | 325          | 305...385        | OXP12X325-45 | 1SCA022304R4450 | 0.36         |
|                               | 395          | 445...525        | OXP12X395-45 | 1SCA022749R0640 | 0.43         |
|                               | 465          | 439...519        | OXP12X465-45 | 1SCA022423R1770 | 0.51         |
|                               | 535          | 515...595        | OXP12X535-45 | 1SCA022723R2940 | 0.59         |
| <b>Shaft diameter 12 mm</b>   |              |                  |              |                 |              |
| OT1000...2500E, OT800...1200U | 250          | 226...355        | OXP12X250-45 | 1SCA022293R9400 | 0.28         |
|                               | 280          | 256...385        | OXP12X280-45 | 1SCA022382R0800 | 0.30         |
|                               | 325          | 301...430        | OXP12X325-45 | 1SCA022304R4450 | 0.36         |
|                               | 395          | 371...500        | OXP12X395-45 | 1SCA022749R0640 | 0.43         |
|                               | 465          | 441...570        | OXP12X465-45 | 1SCA022423R1770 | 0.51         |
|                               | 535          | 511...640        | OXP12X535-45 | 1SCA022723R2940 | 0.59         |
| <b>Shaft diameter 12 mm</b>   |              |                  |              |                 |              |
| OT3200...4000E, OT1600...200U | 280          | 256...385        | OXP12X280-45 | 1SCA022382R0800 | 0.30         |
|                               | 325          | 301...430        | OXP12X325-45 | 1SCA022304R4450 | 0.36         |
|                               | 395          | 371...500        | OXP12X395-45 | 1SCA022749R0640 | 0.43         |
|                               | 465          | 441...570        | OXP12X465-45 | 1SCA022423R1770 | 0.51         |
|                               | 535          | 511...640        | OXP12X535-45 | 1SCA022723R2940 | 0.59         |

## Accessories for manual switch-disconnectors OT160...4000

### Ordering information for shaft accessories

#### Shaft alignment ring

Improves the alignment between handle and shaft.

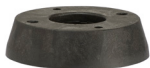


OHZX10

| Suitable for handle                      | Colour | Type   | Order code      | Weight/<br>unit |
|--|--------|--------|-----------------|-----------------|
|  |        |        |                 | kg              |
| For pistol handles<br>OH_65...275J6...12 | Black  | OHZX10 | 1SCA022661R3610 | 0.23            |

#### Extension ring for pistol handles

Improves the handle operation by increasing the distance between the operating handle and the panel.



OHZX14

| Suitable for handle | Colour | Type   | Order code      | Weight/<br>unit |
|---------------------|--------|--------|-----------------|-----------------|
|                     |        |        |                 | kg              |
| OHB_                | Black  | OHZX14 | 1SCA022851R6590 | 0.06            |

#### Shaft support for long shafts

Supporting 12 mm shafts longer than 280 mm.



OXT20X210X

| Suitable for switches | Type       | Order code      | Weight/<br>unit |
|-----------------------|------------|-----------------|-----------------|
|                       |            |                 | kg              |
| OT1000...4000         | OXT20X210X | 1SCA103684R1001 | 1.50            |

#### Overturn protection

The accessory package contains locking features that restrict operation more than 90 degree.

| Suitable for shafts | Type   | Order code      | Weight/<br>unit |
|---------------------|--------|-----------------|-----------------|
|                     |        |                 | kg              |
| OXPI2X_             | OHZX19 | 1SCA157090R1001 | 0.25            |

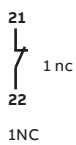
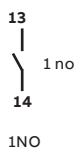


## Accessories for manual switch-disconnectors OT160...4000

### Ordering information for auxiliary contacts



OA1G10, OA3G01



OEA28

#### Video: Auxiliary contacts installation



#### Video: Installation of OEA28 – Module for auxiliary contacts



### Auxiliary contact blocks for OT160EV...4000, IP20

Contact numbering according to EN 50013. Early break type auxiliary contacts means that in the switches, the NO aux.contacts break before the main contacts open.

In types with auxiliary contacts mountable under the mechanism cover, the "test" contacts operate in ON- and OFF-positions as well as when the handle is turned to TEST-position (45° over the OFF-position). The "test indication" contacts operate only when the handle is turned to TEST-position. The OA1G10 (N.O.) or OA3G01 (N.C.) auxiliary contact blocks can be used as standard auxiliary contacts, "test" or "test indication" contacts.

The desired functions are achieved when an auxiliary contact block is installed in a specific place (see mounting instructions). In order to activate the "test" and "test indication" features a handle with test function is required. The test contacts can be used as standard auxiliary contacts as well.

See next pages for performance data, functions and contact timing.

| Suitable for switches   | Function         | Type                   | Order code      | Weight/<br>unit<br>kg |
|---|------------------|------------------------|-----------------|-----------------------|
| <b>Mounting on the left side of the switch</b>  |                  |                        |                 |                       |
| Max. 8 auxiliary contact blocks with the OEA28 module.  |                  |                        |                 |                       |
| OT160EV...4000,<br>OT200...2000U  | 1NO              | OA1G10                 | 1SCA022353R4970 | 0.03                  |
|   | 1NO              | OA1G10AU <sup>1)</sup> | 1SCA022436R7910 | 0.03                  |
|   | 1NC              | OA3G01                 | 1SCA022456R7410 | 0.03                  |
|   | 1NC              | OA3G01AU <sup>1)</sup> | 1SCA022819R5260 | 0.03                  |
| <b>Mounting under the mechanism cover</b>   |                  |                        |                 |                       |
| Max. 4 test contacts or 2 test contacts + 2 test indication contacts  |                  |                        |                 |                       |
| OT160EV...250E,<br>OT200U   | 1NO, early break | OA1G10                 | 1SCA022353R4970 | 0.03                  |
|   | 1NO, early break | OA1G10AU <sup>1)</sup> | 1SCA022436R7910 | 0.03                  |
|   | 1NC, early make  | OA3G01                 | 1SCA022456R7410 | 0.03                  |
|   | 1NC, early make  | OA3G01AU <sup>1)</sup> | 1SCA022819R5260 | 0.03                  |
| Max. 4 test contacts + 4 test indication contacts<br>Switches with _K handle: 2+4 auxiliary contacts with _P handle: 4+4 auxiliary contacts <sup>2)</sup> |                  |                        |                 |                       |
| OT315...800E,<br>OT400...600U   | 1NO, early break | OA1G10                 | 1SCA022353R4970 | 0.03                  |
|   | 1NO, early break | OA1G10AU <sup>1)</sup> | 1SCA022436R7910 | 0.03                  |
|   | 1NC, early make  | OA3G01                 | 1SCA022456R7410 | 0.03                  |
|   | 1NC, early make  | OA3G01AU <sup>1)</sup> | 1SCA022819R5260 | 0.03                  |
| Max 4 test indication contacts + 6 test contacts + 2 early operation test contacts  |                  |                        |                 |                       |
| OT1000...4000E,<br>OT800...2000U  | 1NO, early break | OA1G10                 | 1SCA022353R4970 | 0.03                  |
|   | 1NO, early break | OA1G10AU <sup>1)</sup> | 1SCA022436R7910 | 0.03                  |
|   | 1NC, early make  | OA3G01                 | 1SCA022456R7410 | 0.03                  |
|   | 1NC, early make  | OA3G01AU <sup>1)</sup> | 1SCA022819R5260 | 0.03                  |

<sup>1)</sup> Types \_AU are gold plated for extremely difficult circumstances and low voltages.

<sup>2)</sup> See optional handles in page 121-124.

### Module for auxiliary contacts with OT160EV...4000

Screw mounting to the left side of the switch.

| Suitable for switches | Type  | Order code      | Weight/<br>unit<br>kg |
|-----------------------|-------|-----------------|-----------------------|
| OT160EV...4000        | OEA28 | 1SCA022714R8810 | 0.04                  |

- Does not fit side operated switches.

## Accessories for manual switch-disconnectors OT160...4000

### Technical data for auxiliary contacts

#### Performance data of auxiliary contacts according to IEC 60947-5-1

##### For OA1G\_, OA3G\_

| AC15                   |                     | DC12                   |                     |        | DC13                |        |
|------------------------|---------------------|------------------------|---------------------|--------|---------------------|--------|
| U <sub>e</sub><br>V AC | I <sub>e</sub><br>A | U <sub>e</sub><br>V DC | I <sub>e</sub><br>A | P<br>W | I <sub>e</sub><br>A | P<br>W |
| 230                    | 6                   | 24                     | 10                  | 240    | 2                   | 50     |
| 400                    | 4                   | 72                     | 4                   | 290    | 0.8                 | 60     |
| 415                    | 4                   | 125                    | 2                   | 250    | 0.55                | 70     |
| 690                    | 2                   | 250                    | 0.55                | 140    | 0.27                | 70     |
|                        |                     | 440                    | 0.1                 | 44     |                     |        |

##### For OA1G\_, OA3G\_

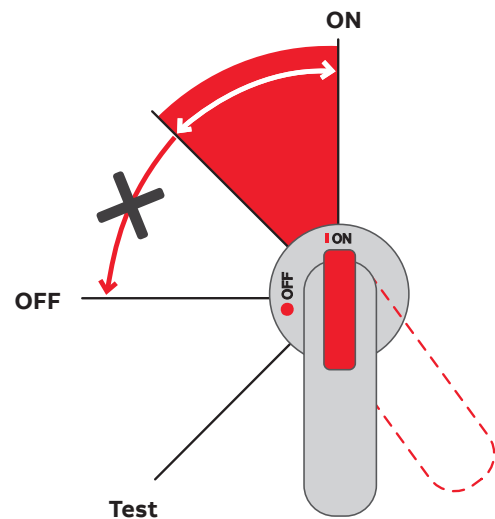
|                  |  |
|------------------|--|
| U <sub>i</sub>   | 690 V                                    |
| U <sub>imp</sub> | 4 kV                                     |
| Pollution degree | 3  |
| I <sub>th</sub>  | 16 A                                     |
| Cable size       | 1...2 x 0.75...2.5 mm <sup>2</sup>       |
| Maximum fuse     | 16 A / gG                                |
| NEMA             | A600, R300, wire size: 18 - 14 AWG, 1(2) |

#### Function table of auxiliary contacts

| Handle position | Main contacts | Aux./Test contacts N.O. | Test indication contact N.O. |
|-----------------|---------------|-------------------------|------------------------------|
| Test            | Open          | Closed                  | Closed                       |
| 0               | Open          | Open                    | Open                         |
| I               | Closed        | Closed                  | Open                         |

#### Handle indications and functions

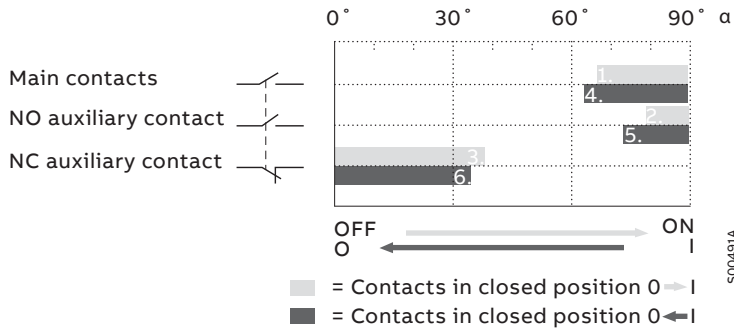
- The handle indicates the position of the main contacts of the switch with complete reliability in all situations. If the contacts are welded together, the handle does not reach the OFF-position but remains between ON and OFF, maintaining the door interlock and preventing padlocking.
- When operating the switch to the TEST-position with a test handle, the test auxiliary contacts change position. The main contacts remain open.



## Accessories for manual switch-disconnectors OT160...4000

### Technical data for auxiliary contacts

#### ON and OFF-functions of main and auxiliary contacts

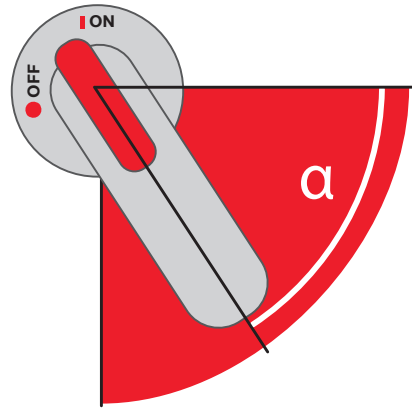


**Closing:**

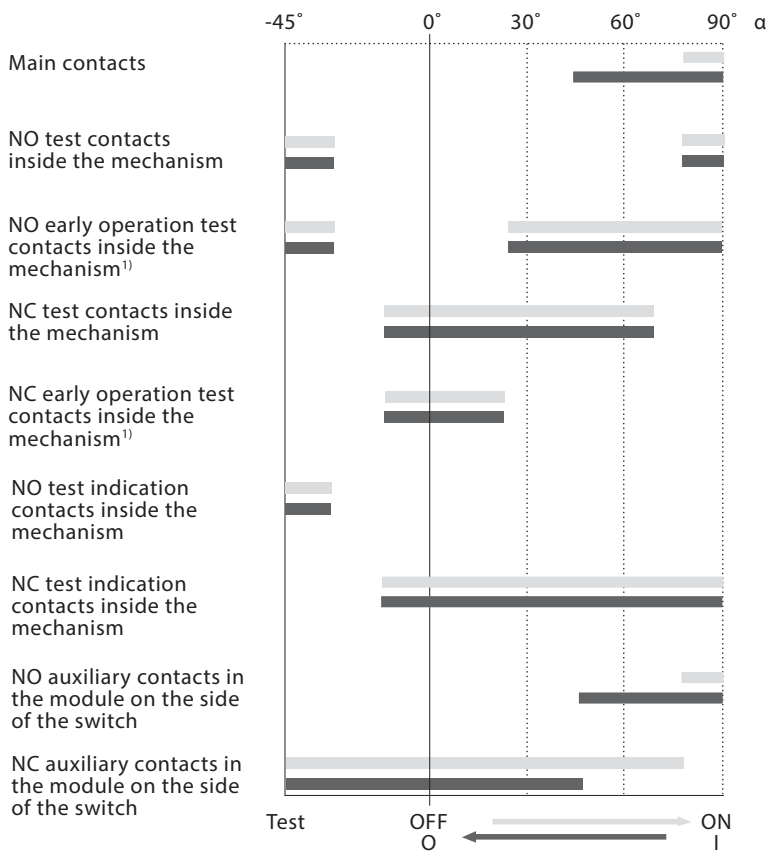
1. Main contacts close
2. NO auxiliary contacts close
3. NC auxiliary contacts open

**Opening:**

4. Main contacts open
5. NO auxiliary contacts open
6. NC auxiliary contacts close



#### ON and OFF-functions of main and auxiliary contacts OT160EV...4000



| Contact | Contact configuration |
|---------|-----------------------|
| OA1G10  | 1NO                   |
| OA3G01  | 1NC                   |

(1) OT1000...4000 only

## Accessories for manual switch-disconnectors OT160...4000

Ordering information for fourth poles and neutral terminals



OTZ400E



OTZ800E



OTZ1250E



OTZ1600E



OTZ2500E



OTZ4000E



OXN250



OXN400



OXN1250T

### Fourth poles, simultaneous function with the main contacts

Mountable on the side of the 3-pole switch without wide phase distances.

| Suitable for switches IEC | Type     | Order code      | Weight/<br>unit |
|---------------------------|----------|-----------------|-----------------|
|                           |          |                 | kg              |
| OT160EV...250E            | OTZ250E  | 1SCA022735R9420 | 0.35            |
| OT315...400E              | OTZ400E  | 1SCA022749R1960 | 0.59            |
| OT630...800E              | OTZ800E  | 1SCA022807R5100 | 1.70            |
| OT1000...1250E            | OTZ1250E | 1SCA103765R1001 | 4.30            |
| OT1600E                   | OTZ1600E | 1SCA100431R1001 | 4.54            |
| OT2000...2500E            | OTZ2500E | 1SCA107931R1001 | 4.30            |
| OT3200...4000E            | OTZ4000E | 1SCA128807R1001 | 8.40            |

### Neutral pole

| Suitable for switches UL, including phase barrier | Type     | Order code      | Weight/<br>unit |
|---|----------|-----------------|-----------------|
|   |          |                 | kg              |
| OT200U  | OTZ200U  | 1SCA151734R1001 | 0.35            |
| OT400U  | OTZ400U  | 1SCA151735R1001 | 0.59            |
| OT600U  | OTZ600U  | 1SCA151736R1001 | 1.70            |
| OT800...1200U                                     | OTZ1200U | 1SCA151733R1001 | 4.54            |

### Neutral links

Detachable, mountable separately to the base plate.

| Suitable for switches  | $I_{th}$ | Type     | Order code      | Weight/<br>unit |
|------------------------|----------|----------|-----------------|-----------------|
|                        | A        |          |                 | kg              |
| OT160EV...250E, OT200U | 250      | OXN250   | 1SCA022752R9950 | 0.26            |
| OT315...400E, OT400U   | 400      | OXN400   | 1SCA022770R3060 | 0.70            |
| OT630...800E, OT600U   | 800      | OXN800T  | 1SCA022829R0840 | 0.96            |
| OT1000...4000E         | 1250     | OXN1250T | 1SCA104162R1001 | 2.20            |

## Accessories for manual switch-disconnectors OT160...4000

### Ordering information for terminal shrouds



OTS400G1S



OTS800G1S



OTS1600G1L



OTS1600G1S



OTS2500G1L



OTS2500G1S



OTS4000G1S/3



OTS4000G1S/4

#### Terminal shrouds for OT switches, snap-on mounting, grey

Pack of single pole shrouds, IP3X. Transparent shrouds available on request.

| Suitable for switches            | Dimension Height | Type            | Order code      | Units/type<br>pcs | Weight/type<br>kg |
|----------------------------------|------------------|-----------------|-----------------|-------------------|-------------------|
|                                  | mm               |                 |                 |                   |                   |
| <b>For 3-pole OT switches</b>    |                  |                 |                 |                   |                   |
| OT160EV...250E,<br>OT200U        | 83               | OTS250G1L/3 *)  | 1SCA022731R8150 | 3                 | 0.09              |
|                                  | 35.5             | OTS250G1S/3 *)  | 1SCA022731R8310 | 3                 | 0.06              |
| OT315...400E,<br>OT400U          | 51.5             | OTS400G1S/3 *)  | 1SCA022736R9060 | 3                 | 0.15              |
|                                  | 126              | OTS400G1L/3 *)  | 1SCA022736R8840 | 3                 | 0.09              |
| OT630...800E,<br>OT600U          | 138.6            | OTS800G1L/3 *)  | 1SCA022776R7890 | 3                 | 0.32              |
|                                  | 61.5             | OTS800G1S/3 *)  | 1SCA022776R8190 | 3                 | 0.17              |
| OT1000...1600E,<br>OT800...1200U | 158.5            | OTS1600G1L/3 *) | 1SCA022871R9510 | 3                 | 0.60              |
|                                  | 96.9             | OTS1600G1S/3 *) | 1SCA022871R9600 | 3                 | 0.40              |
| OT2000...2500E                   | 168              | OTS2500G1L/3 *) | 1SCA107261R1001 | 3                 | 1.00              |
|                                  | 107.5            | OTS2500G1S/3 *) | 1SCA107260R1001 | 3                 | 0.50              |
| OT3200...4000E                   | 233              | OTS4000G1L/3 *) | 1SCA129042R1001 | 3                 | 1.20              |
|                                  | 156.5            | OTS4000G1S/3 *) | 1SCA129044R1001 | 3                 | 1.00              |
| <b>For 4-pole OT switches</b>    |                  |                 |                 |                   |                   |
| OT160EV...250E,<br>OT200U        | 83               | OTS250G1L/4 *)  | 1SCA022731R8230 | 4                 | 0.12              |
|                                  | 35.5             | OTS250G1S/4 *)  | 1SCA022731R8400 | 4                 | 0.08              |
| OT315...400E,<br>OT400U          | 51.5             | OTS400G1S/4 *)  | 1SCA022736R9650 | 4                 | 0.20              |
|                                  | 126              | OTS400G1L/4 *)  | 1SCA022736R9490 | 4                 | 0.12              |
| OT630...800E,<br>OT600U          | 138.6            | OTS800G1L/4 *)  | 1SCA022776R7970 | 4                 | 0.42              |
|                                  | 61.5             | OTS800G1S/4 *)  | 1SCA022776R8270 | 4                 | 0.26              |
| OT1000...1600E,<br>OT800...1200U | 158.5            | OTS1600G1L/4 *) | 1SCA022871R9780 | 4                 | 0.80              |
|                                  | 96.9             | OTS1600G1S/4 *) | 1SCA022871R9860 | 4                 | 0.50              |
| OT2000...2500E                   | 168              | OTS2500G1L/4 *) | 1SCA107262R1001 | 4                 | 1.30              |
|                                  | 107.5            | OTS2500G1S/4 *) | 1SCA107271R1001 | 4                 | 0.70              |
| OT3200...4000E                   | 233              | OTS4000G1L/4 *) | 1SCA129043R1001 | 4                 | 1.40              |
|                                  | 156.5            | OTS4000G1S/4 *) | 1SCA129045R1001 | 4                 | 1.60              |

\*) L= long type, S= short type

#### Shrouds for terminal clamps

Snap-on mounting, transparent plastic, IP2X.

| Suitable for terminal clamps | Type   | Order code      | Units/type | Weight/unit |
|------------------------------|--------|-----------------|------------|-------------|
|                              |        |                 | pcs        | kg          |
| OZXB2, 2L                    | OZXB2K | 1SCA022264R0010 | 3          | 0.05        |
| OZXB3, 4                     | OZXB3K | 1SCA022264R0440 | 3          | 0.20        |
| OZXB5, 6                     | OZXB4K | 1SCA022199R2850 | 3          | 0.24        |
| OZXB7, 7L                    | OZXB5K | 1SCA022283R8040 | 3          | 0.13        |

## Accessories for manual switch-disconnectors OT160...4000

### Ordering information for mounting accessories



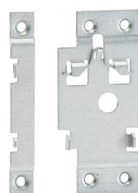
OTB\_



PB200 high



PB100 low



OSGZD1

#### Phase separators

Grey plastic plate for maintaining 1 in/25.44 mm clearance between the phases without terminal shrouds. Snap-on mounting.

| Suitable for switches                        | Type       | Order code      | Units/<br>type | Weight/<br>type |
|--|------------|-----------------|----------------|-----------------|
|  |            |                 | pcs            | kg              |
| OT600U, OT630...800E, 3- and 4-pole          | OTB800/6   | 1SCA022821R7760 | 6              | 0.35            |
| OT800...1200U, OT1000...2500E, 3- and 4-pole | OTB1600/6  | 1SCA100768R1001 | 6              | 0.50            |
| OT3200...4000, 3- and 4-pole                 | OTB4000/6  | 1SCA129040R1001 | 6              | 0.80            |
| OT1600...2000U, 3- and 4-pole                | OTB1600/6C | 1SCA104661R1001 | 12             | 0.74            |

#### Phase barriers

The phase barriers designed for ABB Tmax T4-T5 MCCB's can also be used for OT200...800 switch disconnectors. 3-pole switch disconnectors need 4 barriers and 4-pole switch disconnectors need 6 barriers for full protection.

| Suitable for switches | Number of poles | Height mm | Cutting width w of the phase barrier mm | Type       | Order code   | Units/<br>type | Weight/<br>type |
|-----------------------|-----------------|-----------|---|------------|--------------|----------------|-----------------|
|                       |                 |           |   |            |              | pcs            | kg              |
| OT160EV...250         | 3               | 100       | 55                                      | PB100 low  | 1SDA054970R1 | 4              |                 |
|                       | 3               | 200       | 55                                      | PB200 high | 1SDA054972R1 | 4              |                 |
|                       | 4               | 100       | 55                                      | PB100 low  | 1SDA054971R1 | 6              |                 |
|                       | 4               | 200       | 55                                      | PB200 high | 1SDA054973R1 | 6              |                 |
| OT315...400           | 3               | 100       | 67                                      | PB100 low  | 1SDA054970R1 | 4              |                 |
|                       | 3               | 200       | 67                                      | PB200 high | 1SDA054972R1 | 4              |                 |
|                       | 4               | 100       | 67                                      | PB100 low  | 1SDA054971R1 | 6              |                 |
|                       | 4               | 200       | 67                                      | PB200 high | 1SDA054973R1 | 6              |                 |
| OT600...800           | 3               | 100       | 90                                      | PB100 low  | 1SDA054970R1 | 4              |                 |
|                       | 3               | 200       | 90                                      | PB200 high | 1SDA054972R1 | 4              |                 |
|                       | 4               | 100       | 90                                      | PB100 low  | 1SDA054971R1 | 6              |                 |
|                       | 4               | 200       | 90                                      | PB200 high | 1SDA054973R1 | 6              |                 |

#### DIN-rail mounting kit

For mounting a switch fuse into 35 mm DIN-rail

| Suitable for switches | Type   | Order code      | Units/<br>type | Weight/<br>type |
|-----------------------|--------|-----------------|----------------|-----------------|
|                       |        |                 | pcs            | kg              |
| OT160EV...250E        | OSGZD1 | 1SCA115688R1001 | 1              | 0.20            |

## Accessories for manual switch-disconnectors OT160...4000

Ordering information for terminal clamps

### Terminal clamp sets for Al- and Cu-cables



| Suitable for switches                                     | Cable cross section<br>mm <sup>2</sup> | Suitable shroud type | Terminal clamp type | Order code      | Units/<br>type | Weight/<br>unit |
|---|--|----------------------|---------------------|-----------------|----------------|-----------------|
|   |  |                      |                     |                 | pcs            | kg              |
| <b>OZXB type Al/Cu connectors made of stainless steel</b> |  |                      |                     |                 |                |                 |
| OT160EV...250E,<br>OT200U                                 | 10...70                                | OTS250_L             | OZXB1L              | 1SCA022169R2030 | 3              | 0.15            |
|   | 10...70                                | OTS250_L             | OZXB1L/1            | 1SCA022194R0030 | 1              | 0.05            |
|   | 25...120                               | OZXB2K               | OZXB2               | 1SCA022119R7610 | 3              | 0.34            |
|   | 25...120                               | OZXB2K               | OZXB2/1             | 1SCA022194R0200 | 1              | 0.12            |
|   | 25...120                               | OZXB2K               | OZXB2L              | 1SCA022158R7750 | 3              | 0.43            |
|   | 25...120                               | OZXB2K               | OZXB2L/1            | 1SCA022194R0460 | 1              | 0.15            |
|   | 95...185                               | OTS250_L             | OZXB8               | 1SCA022744R1510 | 3              | 0.50            |
|   | 95...185                               | OTS250_L             | OZXB8/1             | 1SCA022744R1600 | 1              | 0.15            |
|   | 95...240                               | OTS250_L             | OZXB9               | 1SCA022750R3210 | 3              | 0.50            |
|   | 95...240                               | OTS250_L             | OZXB9/1             | 1SCA022750R3300 | 1              | 0.14            |
| OT315...400E,<br>OT400U                                   | 25...120                               | OZXB2K               | OZXB2L              | 1SCA022158R7750 | 3              | 0.43            |
|   | 25...120                               | OZXB2K               | OZXB2L/1            | 1SCA022194R0460 | 1              | 0.15            |
|   | 95...185                               | OZXB3K               | OZXB3               | 1SCA022136R8100 | 3              | 1.28            |
|   | 95...185                               | OZXB3K               | OZXB3/1             | 1SCA022194R0620 | 1              | 0.13            |
|   | 2x(95...185)                           | OZXB3K               | OZXB4               | 1SCA022137R4760 | 3              | 1.71            |
|   | 2x(95...185)                           | OZXB3K               | OZXB4/1             | 1SCA022194R0890 | 1              | 0.60            |
|   | 120...240                              | OZXB5K               | OZXB7               | 1SCA022185R0040 | 3              | 1.00            |
|   | 120...240                              | OZXB5K               | OZXB7/1             | 1SCA022194R1430 | 1              | 0.34            |
|   | 120...240                              | OZXB5K               | OZXB7L              | 1SCA022185R7130 | 3              | 1.20            |
|   | 120...240                              | OZXB5K               | OZXB7L/1            | 1SCA022194R1600 | 1              | 0.39            |
| OT630...800E,<br>OT600U                                   | 95...185                               | OTS400_L             | OZXB8               | 1SCA022744R1510 | 3              | 0.50            |
|   | 95...185                               | OTS400_L             | OZXB8/1             | 1SCA022744R1600 | 1              | 0.15            |
|   | 95...240                               | OTS400_L             | OZXB9               | 1SCA022750R3210 | 3              | 0.50            |
|   | 95...240                               | OTS400_L             | OZXB9/1             | 1SCA022750R3300 | 1              | 0.14            |
|   | 120...300                              | OZXB4K               | OZXB5               | 1SCA022137R2470 | 3              | 2.22            |
|   | 120...300                              | OZXB4K               | OZXB5/1             | 1SCA022194R1010 | 1              | 0.80            |
| OT1000...1600E,<br>OT800...1200U                          | 2x(120...300)                          | OZXB4K               | OZXB6               | 1SCA022137R4920 | 3              | 3.03            |
|   | 2x(120...300)                          | OZXB4K               | OZXB6/1             | 1SCA022194R1270 | 1              | 1.00            |
|   | 95...185                               | OTS1600_L            | OZXB3               | 1SCA022136R8100 | 3              | 1.28            |
|   | 95...185                               | OTS1600_L            | OZXB3/1             | 1SCA022194R0620 | 1              | 0.13            |
|   | 2x(95...185)                           | OTS1600_L            | OZXB4               | 1SCA022137R4760 | 3              | 1.71            |
|   | 2x(95...185)                           | OTS1600_L            | OZXB4/1             | 1SCA022194R0890 | 1              | 0.60            |
|   | 120...300                              | OTS1600_L            | OZXB5               | 1SCA022137R2470 | 3              | 2.22            |
|   | 120...300                              | OTS1600_L            | OZXB5/1             | 1SCA022194R1010 | 1              | 0.80            |
|   | 2x(120...300)                          | OTS1600_L            | OZXB6               | 1SCA022137R4920 | 3              | 3.03            |
|   | 2x(120...300)                          | OTS1600_L            | OZXB6/1             | 1SCA022194R1270 | 1              | 1.00            |
| 120...240   | OTS1600_L                              | OZXB7L               | 1SCA022185R7130     | 3               | 1.20           |                 |
| 120...240   | OTS1600_L                              | OZXB7L/1             | 1SCA022194R1600     | 1               | 0.39           |                 |

## Accessories for manual switch-disconnectors OT160...4000

Ordering information for terminal clamps



OZXB3



OZXB4



OZXR95



OZXR2X185



OZXR2X300



OZXR185



OZXR240



OZXR300

### Terminal clamp sets for Al- and Cu-cables for IEC versions

| Suitable for switches  | Cable cross section<br>mm <sup>2</sup> | Suitable shroud type | Terminal clamp type | Order code      | Units/<br>type | Weight/<br>unit |
|--|--|----------------------|---------------------|-----------------|----------------|-----------------|
|  |  |                      |                     |                 | pcs            | kg              |
| <b>OZXB type Al/Cu connectors made of stainless steel</b>              |  |                      |                     |                 |                |                 |
| OT2000...2500E   | 95...185                               | OTS2500_L            | OZXB3               | 1SCA022136R8100 | 3              | 1.28            |
|  | 95...185                               | OTS2500_L            | OZXB3/1             | 1SCA022194R0620 | 1              | 0.13            |
|  | 2x(95...185)                           | OTS2500_L            | OZXB4               | 1SCA022137R4760 | 3              | 1.71            |
|  | 2x(95...185)                           | OTS2500_L            | OZXB4/1             | 1SCA022194R0890 | 1              | 0.60            |
|  | 120...300                              | OTS2500_L            | OZXB5               | 1SCA022137R2470 | 3              | 2.22            |
|  | 120...300                              | OTS2500_L            | OZXB5/1             | 1SCA022194R1010 | 1              | 0.80            |
|  | 2x(120...300)                          | OTS2500_L            | OZXB6               | 1SCA022137R4920 | 3              | 3.03            |
|  | 2x(120...300)                          | OTS2500_L            | OZXB6/1             | 1SCA022194R1270 | 1              | 1.00            |
|  | 120...240                              | OTS2500_L            | OZXB7L              | 1SCA022185R7130 | 3              | 1.20            |
|  | 120...240                              | OTS2500_L            | OZXB7L/1            | 1SCA022194R1600 | 1              | 0.39            |
| OT3200...4000E,<br>OT1600...2000U                                      | 95...185                               | OTS4000_L            | OZXB3               | 1SCA022136R8100 | 3              | 1.28            |
|  | 95...185                               | OTS4000_L            | OZXB3/1             | 1SCA022194R0620 | 1              | 0.13            |
|  | 2x(95...185)                           | OTS4000_L            | OZXB4               | 1SCA022137R4760 | 3              | 0.43            |
|  | 2x(95...185)                           | OTS4000_L            | OZXB4/1             | 1SCA022194R0890 | 1              | 0.60            |
|  | 120...300                              | OTS4000_L            | OZXB5               | 1SCA022137R2470 | 3              | 2.22            |
|  | 120...300                              | OTS4000_L            | OZXB5/1             | 1SCA022194R1010 | 1              | 0.80            |
|  | 2x(120...300)                          | OTS4000_L            | OZXB6               | 1SCA022137R4920 | 3              | 3.03            |
|  | 2x(120...300)                          | OTS4000_L            | OZXB6/1             | 1SCA022194R1270 | 1              | 1.00            |
|  | 120...240                              | OTS4000_L            | OZXB7L              | 1SCA022185R7130 | 3              | 1.20            |
|  | 120...240                              | OTS4000_L            | OZXB7L/1            | 1SCA022194R1600 | 1              | 0.39            |
| <b>OZXR type Al/Cu connectors made of stainless steel and copper</b>   |  |                      |                     |                 |                |                 |
| OT160EV...250E,<br>OT200U  | 25...95                                | OTS250_L             | OZXR95              | 1SCA115530R1001 | 3              | 0.21            |
| OT160200...250E,<br>OT200U   | 95...185                               | OTS250_L             | OZXR185             | 1SCA115531R1001 | 3              | 0.45            |
| OT315...400E,<br>OT400U  | 2x(95...185)                           | -                    | OZXR2X185           | 1SCA115534R1001 | 3              | 0.66            |
|  | 185...300                              | -                    | OZXR300             | 1SCA115533R1001 | 3              | 0.87            |
| OT630...800E,<br>OT600U  | 2x(185...300)                          | -                    | OZXR2X300           | 1SCA115535R1001 | 3              | 1.59            |
| OT315...400E,<br>OT400U  | 95...240                               | OTS400_L             | OZXR240             | 1SCA115532R1001 | 3              | 0.42            |
| <b>OZXP type Al/Cu connectors made of tin plated aluminium profile</b> |  |                      |                     |                 |                |                 |
| OT160EV...250E,<br>OT200U  | 6...95                                 | OTS250_L             | OZXP95              | 1SCA115539R1001 | 3              | 0.03            |
| OT315...400E,<br>OT400U  | 35...240                               | OTS400_L             | OZXP240             | 1SCA115542R1001 | 3              | 0.27            |
| OT630...800E,<br>OT600U  | 2x(70...240)                           | OTS800_L             | OZXP2X240           | 1SCA115544R1001 | 3              | 1.38            |

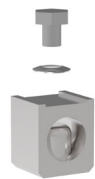


## Accessories for manual switch-disconnectors OT160...4000

Ordering information for terminal lugs



OZXA200



OZXA400



OZXA800



OZXA1200

### Terminal lug kits for Al- and Cu-cables for UL/CSA disconnect switches

One kit includes 6 pcs.

| Suitable for switches      | Cable cross section | Type      | Tightening torque<br>lb.in/Nm | Weight/unit |      |
|----------------------------|---------------------|-----------|-------------------------------|-------------|------|
|                            | mm <sup>2</sup>     |           |                               | kg          | in   |
| OT200U_                    | AWG 4-300MCM        | OZXA-200  | 275/31.1                      | 0.04        | 0.09 |
| OT400U_                    | AWG 2-600MCM        | OZXA-400  | 375/42.4                      | 0.05        | 0.12 |
| OT600...800U_              | 2 X AWG 2-600MCM    | OZXA-800  | 500/56.5                      | 0.21        | 0.45 |
| OT800U,<br>OT1200...2000U_ | 4 X AWG 2-600MCM    | OZXA-1200 | 500/56.5                      | 0.45        | 0.98 |

For ordering, please consult us.

### Technical data for terminal lugs

| Description                          |                     |
|--------------------------------------|---------------------|
| UL approval file                     | E6207               |
| Temperature Rating, °C               | 75                  |
| Wire tightening Type of tool         | Allen (Hex) wrench  |
| Lug mounting                         | Bolt & nut mounting |
| AWG (American Wire Gauge) wire class | B.C                 |

## Accessories for manual switch-disconnectors OT160...4000

### Ordering information for conversion kits



OESAZW2

#### 6 and 8-pole switch mechanism

Attachment levers for connecting two 3- or 4-pole switches provided with holes, enabling different shaft distances. The combination switches can be mounted either horizontally or vertically. OESAZW2 includes also OHB145J12.

| Suitable for switches          | Shaft distance | Type    | Order code      | Weight/<br>unit |
|--------------------------------|----------------|---------|-----------------|-----------------|
|                                | mm             |         |                 | kg              |
| OT160G, OT160EV...250E, OT200U | 45+(0...13)x15 | OESAZW2 | 1SCA022078R1600 | 0.80            |
| OT315...800E, OT400...600U     | 60+(0...19)x20 | OETLZW9 | 1SCA022061R3300 | 1.10            |

#### Change-over switch mechanism

Attachment levers. Two switches connected with a mechanism operating into I-O-II -positions. Two 3 or 4-pole switches needed.



OTZW25

| Suitable for switches          | Shaft distance  | Type     | Order code      | Weight/<br>unit |
|--------------------------------|-----------------|----------|-----------------|-----------------|
|                                | mm              |          |                 | kg              |
| OT160G, OT160EV...250E, OT200U | 210+(0...18)x20 | OTZW25   | 1SCA022778R6920 | 2.80            |
| OT315...400E, OT400U           | 210+(0...11)x20 | OETLZW11 | 1SCA022078R0030 | 3.00            |
| OT630...800E, OT600U           | 210+(0...20)x20 | OETLZW12 | 1SCA022078R0200 | 4.60            |

See the table of the handles and shafts included in the conversion kits on next spread.

#### By-pass switch mechanism

A combination of two switches in parallel with a third switch for change-over operation to by-pass, for example, a breaker for maintenance. Three 3 or 4-pole switches needed.



OTZW26

| Suitable for switches          | Shaft distance   | Type     | Order code      | Weight/<br>unit |
|--------------------------------|--|----------|-----------------|-----------------|
|                                | mm   |          |                 | kg              |
| OT160G, OT160EV...250E, OT200U | Between 1 and 2: 210+(0...9)x20<br>Between 1 and 3: 250+(0...9)x20   | OTZW26   | 1SCA022778R7060 | 3.30            |
| OT315...800E, OT400...600U     | Between 1 and 2: 210+(0...18)x20<br>Between 1 and 3: 250+(0...18)x20 | OETLZW13 | 1SCA022078R0460 | 4.00            |

#### Mechanical interlock mechanism

Prevents one switch from moving to ON-position, if the other is not in OFF-position. When mounted upside down, prevents one switch from moving to OFF-position, if the other is not in ON-position. (UPS-usage, make-before-break).



OETLZW14

| Suitable for switches        | Shaft distance | Type     | Order code      | Weight/<br>unit |
|------------------------------|----------------|----------|-----------------|-----------------|
|                              | mm             |          |                 | kg              |
| OT160EV...250E, OT200U       | 190            | OTZW10   | 1SCA022431R5280 | 0.40            |
| OT315...400E, OT400U         | 250            | OETLZW14 | 1SCA022077R3410 | 0.70            |
| OT315...800E, OT400...600U   | 300            | OETLZW3  | 1SCA022049R0380 | 0.80            |
| OT315...4000E, OT400...2000U | 500            | OETLZW15 | 1SCA022081R9340 | 1.24            |

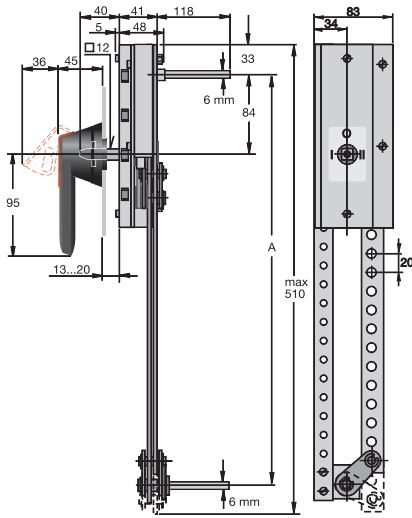
See the table of the handles and shafts included in the conversion kits on next spread.

## Accessories for manual switch-disconnectors OT160...4000

Dimensional drawings for conversion kits

### Change-over and by-pass switches

#### OTZW25

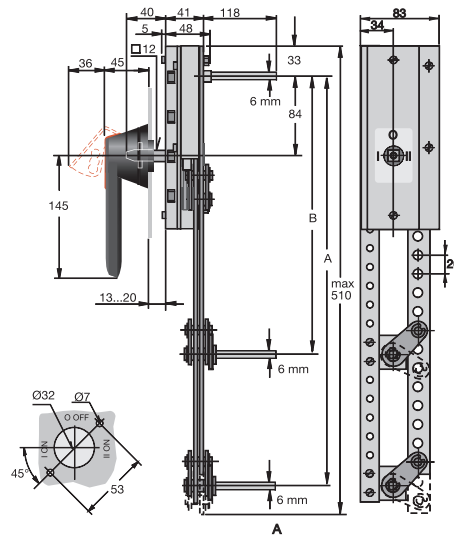


#### OTZW25

|   |                    |
|---|--------------------|
| A | 210+(0...18)x20 mm |
|---|--------------------|

A00213\_B

#### OTZW26

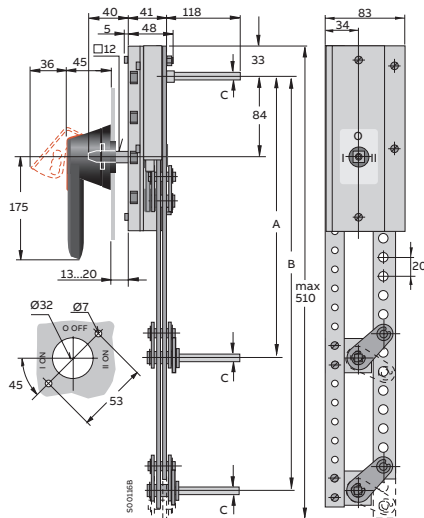


#### OTZW26

|   |                    |
|---|--------------------|
| A | 210+(0...18)x20 mm |
| B | 210+(0...18)x20 mm |

S00213A

#### OETLZW11



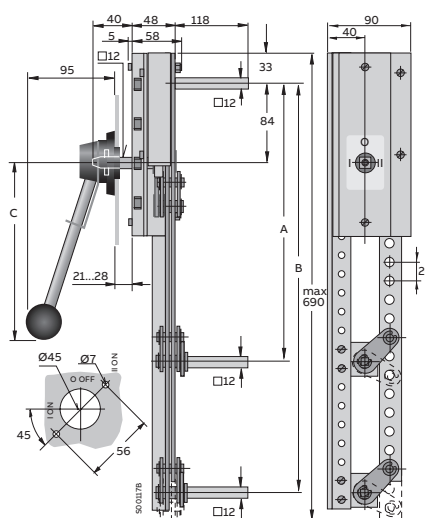
#### OETLZW11

|   |                    |
|---|--------------------|
| A | 210+(0...11)x20 mm |
|---|--------------------|

A00116B

Main dimensions mm

#### OETLZW12, OETLZW13



#### OETLZW12, OETLZW13

|   | OETLZW12           | OETLZW13           |
|---|--------------------|--------------------|
| A | 210+(0...18)x20 mm | 210+(0...18)x20 mm |
| B |                    | 250+(0...18)x20 mm |
| C | 220 mm             | 320 mm             |

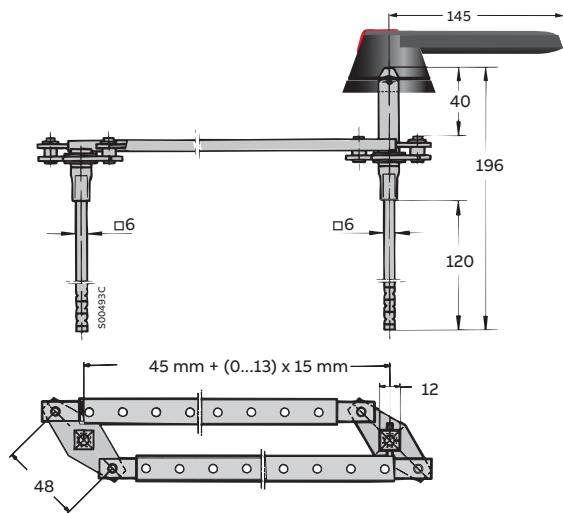
S00117B

## Accessories for manual switch-disconnectors OT160...4000

Dimensional drawings for conversion kits

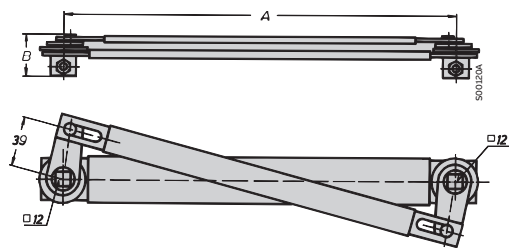
### 6 and 8-pole switches

#### OESAZW2



#### Mechanical interlock

##### OTZW10

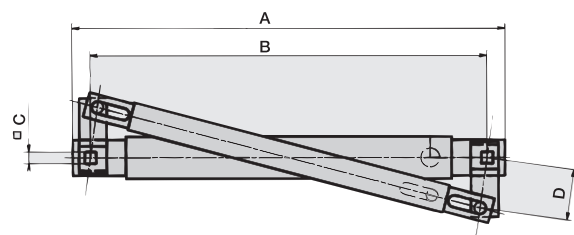


##### OTZW10

|   | OTZW10 |
|---|--------|
| A | 206    |
| B | 190    |
| C | 6      |
| D | 30     |

S00119A

##### OETLZW3, OETLZW14, OETLZW15



##### OETLZW3, OETLZW14, OETLZW15

|   | OETLZW3 | OETLZW14 | OETLZW15 |
|---|---------|----------|----------|
| A | 300     | 250      | 500      |
| B | 31      | 31       | 36       |

S00120A

# Accessories for manual switch-disconnectors OT160...4000

## Ordering information for conversion kit accessories



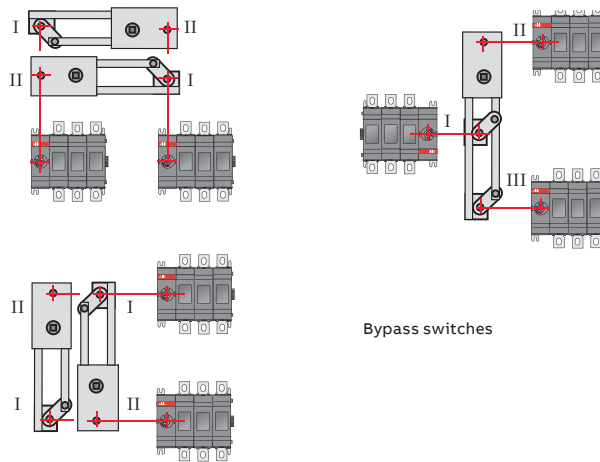
OTZW25



OTZW26

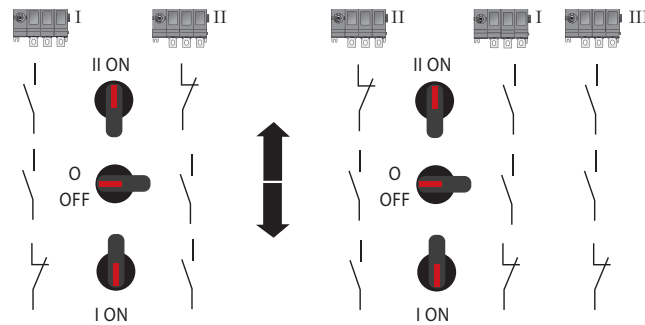
### Shafts and handles for conversion kits

| Conversion kit type          | To be ordered separately |        | Included in conversion kit delivery |               | The standard handle / shaft of one of the combined switches can be used |        |
|------------------------------|--------------------------|--------|-------------------------------------|---------------|---|--------|
|                              | Shaft                    | Handle | Shaft                               | Handle        | Shaft   | Handle |
| <b>6 and 8-pole switches</b> |                          |        |                                     |               |   |        |
| OESAZW2                      | -                        | -      | x (2 pcs)                           | OHB145J12     | -   | -      |
| OETLZW9                      | -                        | -      | -                                   | -             | x   | x      |
| <b>Change-over switches</b>  |                          |        |                                     |               |   |        |
| OTZW25                       | -                        | -      | x (2 pcs)                           | OHB95J12E011  | -   | -      |
| OETLZW11                     | -                        | -      | x (2 pcs)                           | OHB145J12E011 | -   | -      |
| OETLZW12                     | -                        | -      | x (2 pcs)                           | YASDA21       | -   | -      |
| <b>By-pass switches</b>      |                          |        |                                     |               |   |        |
| OTZW26                       | -                        | -      | x (3 pcs)                           | OHB95J12E011  | -   | -      |
| OETLZW13                     | -                        | -      | x (3 pcs)                           | YASDA6        | -   | -      |
| <b>Mechanical interlock</b>  |                          |        |                                     |               |   |        |
| OTZW10                       | -                        | -      | -                                   | -             | x   | x      |
| OETLZW14                     | -                        | -      | -                                   | -             | x   | x      |
| OETLZW3                      | -                        | -      | -                                   | -             | x   | x      |
| OETLZW15                     | -                        | -      | -                                   | -             | x   | x      |



Bypass switches

Change-over switches



Change-over switches

Bypass switches

## Accessories for manual switch-disconnectors OT160...4000

### Ordering information for locking accessories

#### Locking accessories



OHZX4



OETLZW5

#### Door interlock bracket for pistol handles

Prevents defeating the door interlock.

| Suitable for switches          | Type  | Order code      | Weight/<br>unit |
|--------------------------------|-------|-----------------|-----------------|
|                                |       |                 | kg              |
| For pistol handles OH_45...275 | OHZX4 | 1SCA022467R2470 | 0.03            |

#### Cam attachment

Cam attachment for Castell, Lowe & Fletcher and Ronis interlock. Lock, handle or shaft are not included. Mounting on OXP shaft working together with external OH door handle.

| Suitable for switches | Type    | Order code      | Weight/<br>unit |
|-----------------------|---------|-----------------|-----------------|
|                       |         |                 | kg              |
| OT315...4000          | OETLZW5 | 1SCA022052R3900 | 0.14            |

See the table of the handles and shafts included in the conversion kits on previous page.

#### Shaft locking kit

Fixing the shaft to the switch mechanism. The screw is included in the package.

| Suitable for switches          | Type      | Order code      | pcs |
|--------------------------------|-----------|-----------------|-----|
| OT160G, OT160EV...250E, OT200U | OTZS2/B10 | 1SCA126043R1001 | 10  |
| OT315E...4000E, OT400U...2000U | OZX1      | 1SCA105708R1001 | 10  |

## Accessories for manual switch-disconnectors OT160...4000

Ordering information for mechanical interlocks



OTZT1A



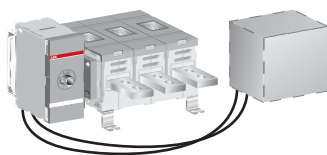
OTZT2A



OTZT3A



OTZL4



OT\_EM\_ + OTZL4

OT switch + OTZL4 or Emax, T7

### Mechanism interlock kits and electrical interlocks

OT160EV... 4000 switch-disconnectors can be interlocked in the OFF-position using padlocks or a mechanical interlock kit mounted on the mechanism. The diameter of the lock bail can be max 8 mm.

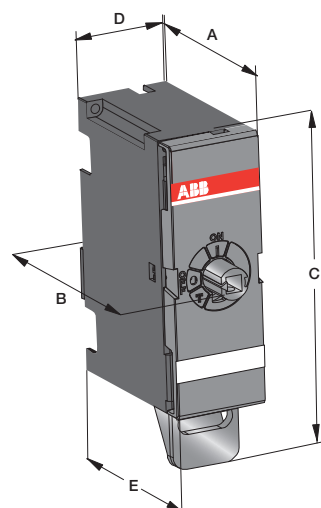
| Suitable for switches                            | Type   | Order code      | Weight/unit<br>kg |
|--|--------|-----------------|-------------------|
| <b>Interlocking in the OFF-position</b>          |        |                 |                   |
| OT200U, OT160EV...250                            | OTZT1A | 1SCA106522R1001 | 0.21              |
| OT400U, OT315...400E                             | OTZT2A | 1SCA106523R1001 | 0.57              |
| OT600U, OT630...800E                             | OTZT3A | 1SCA106525R1001 | 0.75              |
| OT800U, OT1200U, OT1000...4000                   | OTZT4A | 1SCA106526R1001 | 1.15              |
| <b>Interlocking in the OFF- and ON-positions</b> |        |                 |                   |
| OT200U, OT160EV...250                            | OTZT1L | 1SCA106527R1001 | 0.21              |
| OT400U, OT315...400E                             | OTZT2L | 1SCA106529R1001 | 0.57              |
| OT600U, OT630...800E                             | OTZT3L | 1SCA106530R1001 | 0.75              |
| OT800U, OT1200U, OT1000...4000                   | OTZT4L | 1SCA106531R1001 | 1.15              |

### Mechanical interlock between OT earthing switch and OT1000...2500 switch-disconnector or E-max / T7 breaker

The operation of both the earthing switch and the switch-disconnector / breaker into ON-position at the same time is mechanically prevented by using two cables between the earthing switch and main switch or breaker. Cable length 1370 mm.

| Suitable for switches   | Description                       | Type  | Order code      | Weight/unit<br>kg |
|---|-----------------------------------|-------|-----------------|-------------------|
| <b>Mechanical interlock kit for earthing switches type_EM</b> |                                   |       |                 |                   |
| OT1000...2500EM   |                                   | OTZL4 | 1SCA116554R1001 | 0.5               |
| <b>Wire rope</b>  |                                   |       |                 |                   |
| OT1000...2500EM, E-max/T7                                     | Including 2 pcs 1370 mm wire rope | -     | 1SDA062127R1    | 0.2               |

### Electrical and mechanical interlock OTZT\_



|   | OTZT1_ | OTZT2_ | OTZT3_ | OTZT4_ |
|---|--------|--------|--------|--------|
|   | mm     | mm     | mm     | mm     |
| A | 69     | 81     | 86     | 88     |
| B | 82     | 102    | 110    | 110    |
| C | 122    | 152    | 201    | 258    |
| D | 35     | 52     | 65     | 84     |
| E | 73     | 91     | 98     | 95     |

M00350/OTZT1-4\_ A

## Accessories for manual switch-disconnectors OT160...4000

### Ordering information for electrical interlocks



OTZM4A

#### Electrical interlock kit

| Suitable for switches | Description                       | Type   | Order code      | Weight/<br>unit |
|-----------------------|-----------------------------------|--------|-----------------|-----------------|
|                       |                                   |        |                 | kg              |
| OT1000...2500E        | Locking in OFF-position           | OTZM4A | 1SCA118510R1001 | 0.85            |
|                       | Locking in OFF- and<br>⏏-position | OTZM4L | 1SCA118511R1001 | 0.85            |

#### Coils for OTZT\_ and OTZM\_ electrical interlocks

By installing a coil inside the housing of the interlock kit the switch can be interlocked electrically in the OFF-position or both in the OFF- and ON-positions. The electrical interlock works using the “closed circuit principle”, meaning that when the control voltage is not connected to the coil, the switches provided with A-type interlocks cannot be turned to the ON-position and switches with L-type interlocks cannot be turned to the ON- or OFF- positions.



PDAL2

| Suitable for switches              | Type                           | Order code      | Weight/<br>unit |
|------------------------------------|--------------------------------|-----------------|-----------------|
|                                    |                                |                 | kg              |
| <b>AC coils</b>                    |                                |                 |                 |
| 110 V AC, 50 Hz                    | PDAL2/110AC50Hz                | 1SCA106543R1001 | 0.15            |
| 110 V AC, 60 Hz                    | PDAL2/110AC60Hz                | 1SCA107100R1001 | 0.15            |
| 120 V AC, 60 Hz                    | PDAL2/120AC60Hz                | 1SCA111353R1001 | 0.15            |
| 208 V AC, 60 Hz                    | PDAL2/208AC60Hz                | 1SCA107101R1001 | 0.15            |
| 230 V AC, 50 Hz                    | PDAL2/230AC50Hz                | 1SCA107102R1001 | 0.15            |
| 240 V AC, 60 Hz                    | PDAL2/240AC60Hz                | 1SCA111356R1001 | 0.15            |
| <b>DC coils</b>                    |                                |                 |                 |
| 24 V DC                            | PDAL2/24DC                     | 1SCA106542R1001 | 0.15            |
| 48 V DC                            | PDAL2/48DC                     | 1SCA107103R1001 | 0.15            |
| 110 V DC                           | PDAL2/110DC                    | 1SCA107105R1001 | 0.15            |
| 125 V DC                           | PDAL2/125DC                    | 1SCA111338R1001 | 0.15            |
| 220 V DC                           | PDAL2/220DC                    | 1SCA112503R1001 | 0.15            |
| <b>Technical data for the coil</b> |                                |                 |                 |
| Operating voltage                  | U = 0.8...1.1 x U <sub>n</sub> |                 |                 |
| Operating ambient temperature      | -40 °C...+65 °C                |                 |                 |
| Power consumption                  | with AC 6.5 W<br>with DC 9 VA  |                 |                 |



# ITS2 monitoring unit

Greater intelligence comes from within



Real-time measuring and monitoring have never been easier, thanks to the ITS2. Its built-in intelligence means that whether it's supporting a data center, hospital or commercial building, operatives can access its monitoring data and

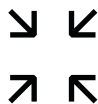
provide an instant response in the event of any system faults.

The result of this fully digital solution? Smarter, data-driven decisions made in real time.



## Integrated and future-ready

- Cloud-based connectivity with ABB Ability™ Energy and Asset Manager
- Easy configuration with Ekip Connect
- Configure ITS2 monitoring in just 1 min



## Convenience and ease

- One unit to digitalize switches and fusegear also compatible with OT Switch-disconnectors and OS Switch fuses
- Space-saving factory-mounted design
- No need for additional power supply



## Safe and reliable

- Ensures continuous operations
- Fuse monitoring functionality (EFM)
- System safety and protection protocols



— Watch the video how to configure ITS2 monitoring unit in 1 minute with Ekip Connect



— Watch the video how to add extra protection to your system with Ekip Connect in less than 1 minute



— More info about ITS2 Monitoring units from here



**Ease of installation**

A busy facility needs any new monitoring equipment to get up and running quickly to avoid operational interruptions.

Installing the ITS2 monitoring is a pain-free, intuitive process, with Ekip Connect used to configure your entire system.

The ITS2 communicates with the main gateway using Modbus RTU as standard option or Modbus TCP, using the add on communication module. The gateway enables direct communication to the ABB Ability™ Energy and Asset Manager using the Ekip Com Hub cartridge module.

The gateway uploads your system data to the cloud-connected ABB Ability™ platform, enabling full control in less than 10 minutes.

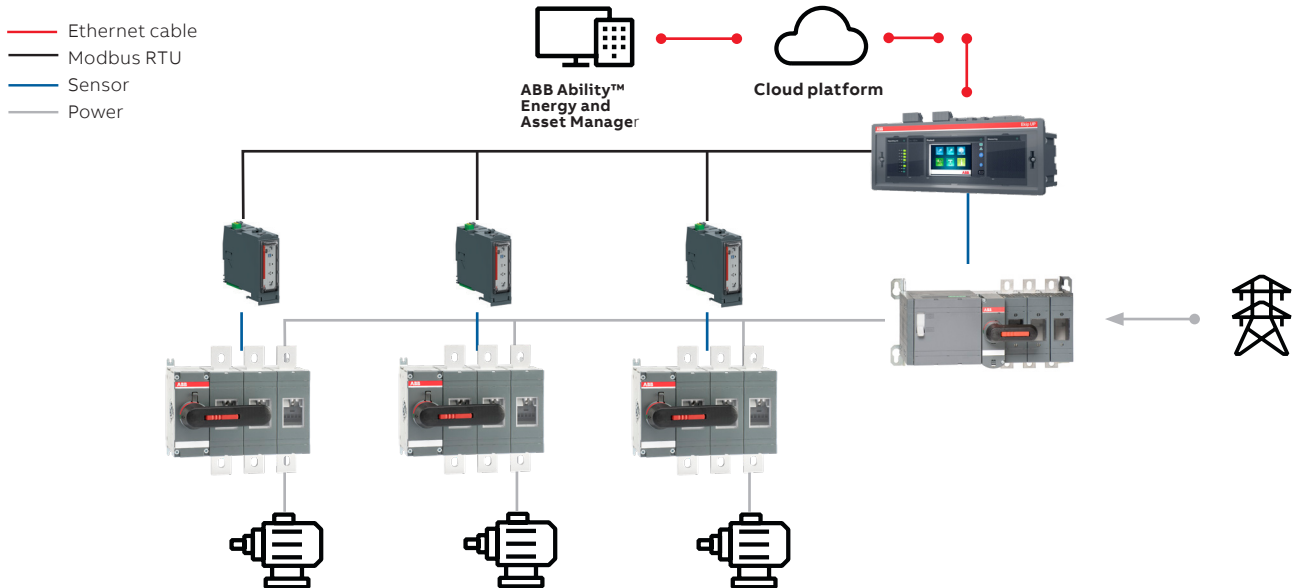
**Seamless integration**

A complete digital solution needs to be compatible with your existing infrastructure and processes. The ITS2 monitoring unit integrates flawlessly both with ABB’s switches and fusegear products

- Uses ABB Ability™ Energy and Asset Manager to collect information from enabled ABB devices installed in low-voltage distribution systems
- Monitor the electrical system from anywhere, anytime
- ABB Ability™ Energy and Asset Manager compatible gateways: Emax 2 and Tmax circuit breakers, EkipUP and TruONE Automatic Transfer Switches (equipped with Ekip Com Hub) or with Ekip E-Hub via Modbus RS-485.

**Connection to ABB Ability™ Energy and Asset Manager for all switches and fusegear with ITS2**

**Standalone ITS2 Modbus RTU**



[Click for ABB Ability™ Energy and Asset Manager](#)



[Click for Ekip Connect 3](#)



## Accessories for switch-disconnectors 160...2500 A

### Ordering information for ITS2 monitoring unit



ITS2.1 Standalone Module

#### ITS2 monitoring unit

| Suitable for switches | Type                     | Order number    | Units/ type [pcs] | Weight/unit [kg] |
|-----------------------|--------------------------|-----------------|-------------------|------------------|
| OT 160...2500         | ITS2.1 Standalone Module | 1SEP622724R0001 | 1                 | 0.5              |

#### Accessories that need to be ordered separately

| Description   | Suitable for switches | Type   | Order number    | Units/ type [pcs] | Weight/ unit [kg] |
|---|-----------------------|--------|-----------------|-------------------|-------------------|
| Voltage sensing connectors. The connector package includes also the faston terminals. | OT160EV...250E        | OMZB18 | 1SCA120153R1001 | 8                 | 0.2               |
|   | OT315E...400E         | OMZB28 | 1SCA120154R1001 | 8                 | 0.2               |
|   | OT630E...800E         | OMZB38 | 1SCA120155R1001 | 8                 | 0.2               |
|   | OT1000E...2500E       | OMZB48 | 1SCA120156R1001 | 8                 | 0.2               |



Ekip Com Modbus TCP-OX

#### Suitable communication modules (Modbus RTU comes as standard)

| Type                   | Order code   |
|------------------------|--------------|
| Ekip Com Modbus TCP-OX | 1SDA104052R1 |

## Accessories for switch-disconnectors 160...2500 A

### Ordering information for ITS2 monitoring unit

#### ITS2.1: which data can be monitored

| Features          |        |                  |
|-------------------|--------|------------------|
| Line Voltage      | (V AC) | V12, V23, V31    |
| Phase Voltage     | (V AC) | V1N, V2N, V3N    |
| Current           | (A)    | L1, L2, L3       |
| Active power      | (kW)   | L1, L2, L3       |
| Reactive power    | (kVA)  | L1, L2, L3       |
| Cos phi           | (Cosφ) | L1, L2, L3       |
| Power factor      | (PF)   | Sum              |
| Energy            | (kWh)  | Sum              |
| Fuse status       | (EFM)  | L1, L2, L3       |
| Temperature       | (°C)   | Terminal L2      |
| Switch position   |        | On/Off           |
| Motor Control     |        | by bus           |
| Communication bus |        | RS485            |
| Protocol          |        | Modbus RTU & TCP |

#### Configurable Modbus RTU parameters

|                          |                                      |
|--------------------------|--------------------------------------|
| Default setting          | 19200 E,8,1 – Default Modbus addr. 3 |
| Baudrates                | 9600, 19200                          |
| Parity, stop- start bits | E,8,1 – O,8,1 – N,8,2 – N,8,1        |
| Modbus address range     | 1 – 247                              |

#### Connection data at the ITS2.1 multiplug

|   |               |
|---|---------------|
| 1 | 24 VDC        |
| 2 | 24 V GND (0V) |
| 3 | RS-485 0V     |
| 4 | RS-485 + (A)  |
| 5 | RS-485 - (B)  |

#### Conductor cross section

|  |                      |
|--|----------------------|
| Stranded min.                                      | 0,25 mm <sup>2</sup> |
| Stranded max.                                      | 1,5 mm <sup>2</sup>  |
| Stranded, with ferrule without plastic sleeve max. | 1,5 mm <sup>2</sup>  |
| Stranded, with ferrule with plastic sleeve max.    | 0,75 mm <sup>2</sup> |





## Motorized switch-disconnectors

### Made for remote operations

#### Introduction to motorized switch-disconnectors

|  |     |
|--|-----|
| Product overview                                 | 184 |
| Product range                                    | 185 |
| Type designation key for the types OTM40..125    | 186 |
| Type designation key for the types OTM160...4000 | 187 |

#### Technical data

|  |     |
|--|-----|
| Motorized switch-disconnectors (IEC)           | 188 |
| Motorized switch-disconnectors motor operators | 191 |

#### Ordering information

|   |     |
|---|-----|
| Accessory guide for OTM40...OTM125                            | 192 |
| Accessory guide for OTM160...OTM2500                          | 193 |
| Motorized switch-disconnectors (IEC)                          | 194 |
| Motorized switch-disconnectors with wide phase distance (IEC) | 197 |

#### Dimensional drawings

|   |     |
|---|-----|
| Motorized switch-disconnectors (IEC)                          | 198 |
| Motorized switch-disconnectors with wide phase distance (IEC) | 203 |

#### Ordering information for accessories

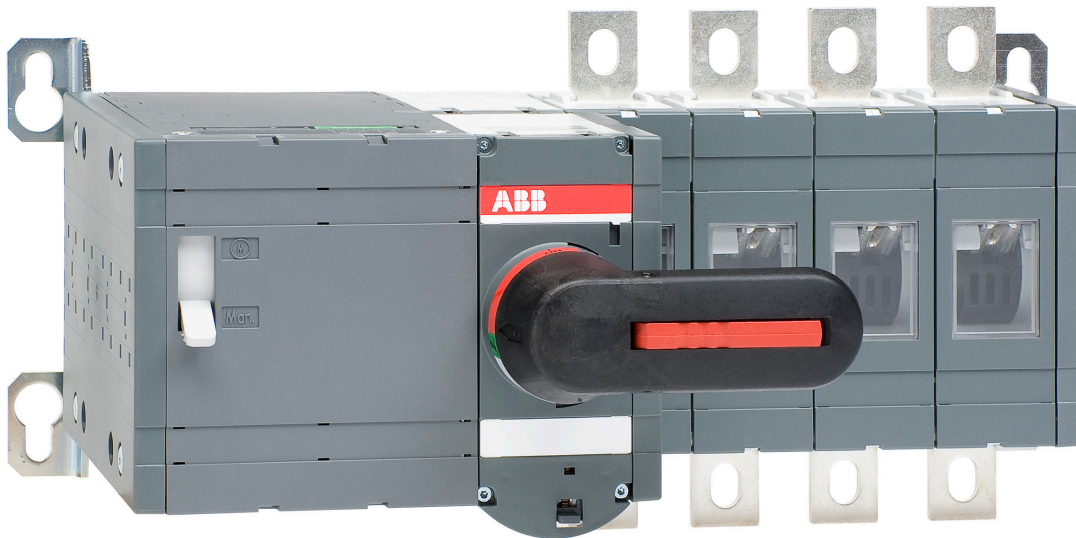
|   |     |
|---|-----|
| Handle accessories                                  | 204 |
| Auxiliary contacts                                  | 205 |
| ON and OFF-functions of main and auxiliary contacts | 207 |
| Fourth poles, neutral and earth terminals           | 208 |
| Terminal shrouds                                    | 209 |
| Terminal clamps                                     | 210 |

---

# Motorized switch-disconnectors

## Designed for remote operation

Motor operated switch-disconnectors by ABB are suitable for a wide range of demanding applications that may require remote operation. For the same reason, they have been designed to be virtually maintenance free throughout their entire lifespan.



---

### Easy to install

The motorized switch disconnectors have a snap-on control wire connections. Auxiliary contacts can be snapped on to the sides of the switch. Quick and easy installation saves time and expenses.



---

### Safety and protection

These devices come equipped with a wide range of safety features, such as IP20 protected finger proof installations. All of the contacts are clearly visible, which makes for clear and reliable position indication. Also, all of our motorized switch-disconnectors are equipped with a handle for manual operation in emergency situations. The handles are of course padlockable into the OFF-position for ensured safety.



---

### Reliable in extreme conditions

Ensuring a high performance level for you is of the utmost importance to us. In applications where the loaded switch may need to be operated remotely, adequate durability has been ensured by testing against the IEC 60947 standard. These devices are also equipped with extremely resistant insulation materials, which help reduce the risk of flash-over between phases in even the most severe circumstances and environments.



## Motorized switch-disconnectors

Made for remote operations



| Motor operation |      |      |      |         |       |       |         |       |       |         |       |         |
|-----------------|------|------|------|---------|-------|-------|---------|-------|-------|---------|-------|---------|
| IEC             |      |      |      | OTM40F  |       |       | OTM160E |       |       | OTM315E |       | OTM630E |
|                 |      |      |      | OTM63F  |       |       | OTM200E |       |       | OTM400E |       | OTM800E |
|                 |      |      |      | OTM80F  |       |       | OTM250E |       |       |         |       |         |
|                 |      |      |      | OTM100F |       |       |         |       |       |         |       |         |
|                 |      |      |      | OTM125F |       |       |         |       |       |         |       |         |
| Switch size     | 40 A | 63 A | 80 A | 100 A   | 125 A | 160 A | 200 A   | 250 A | 315 A | 400 A   | 630 A | 800 A   |



| Motor operation |        |  |  |          |  |  |          |  |          |          |        |
|-----------------|--------|--|--|----------|--|--|----------|--|----------|----------|--------|
| IEC             |        |  |  | OTM1000E |  |  | OTM1600E |  |          | OTM2000E |        |
|                 |        |  |  | OTM1250E |  |  |          |  |          | OTM2500E |        |
|                 |        |  |  |          |  |  |          |  | OTM3200E |          |        |
|                 |        |  |  |          |  |  |          |  | OTM4000E |          |        |
| Switch size     | 1000 A |  |  | 1250 A   |  |  | 1600 A   |  |          | 2000     | 2500 A |

### Accessories for motorized switch-disconnectors include:

- Handle accessories
- Auxiliary contacts
- Fourth poles
- N & PE terminals
- Terminal shrouds
- Terminal clamps

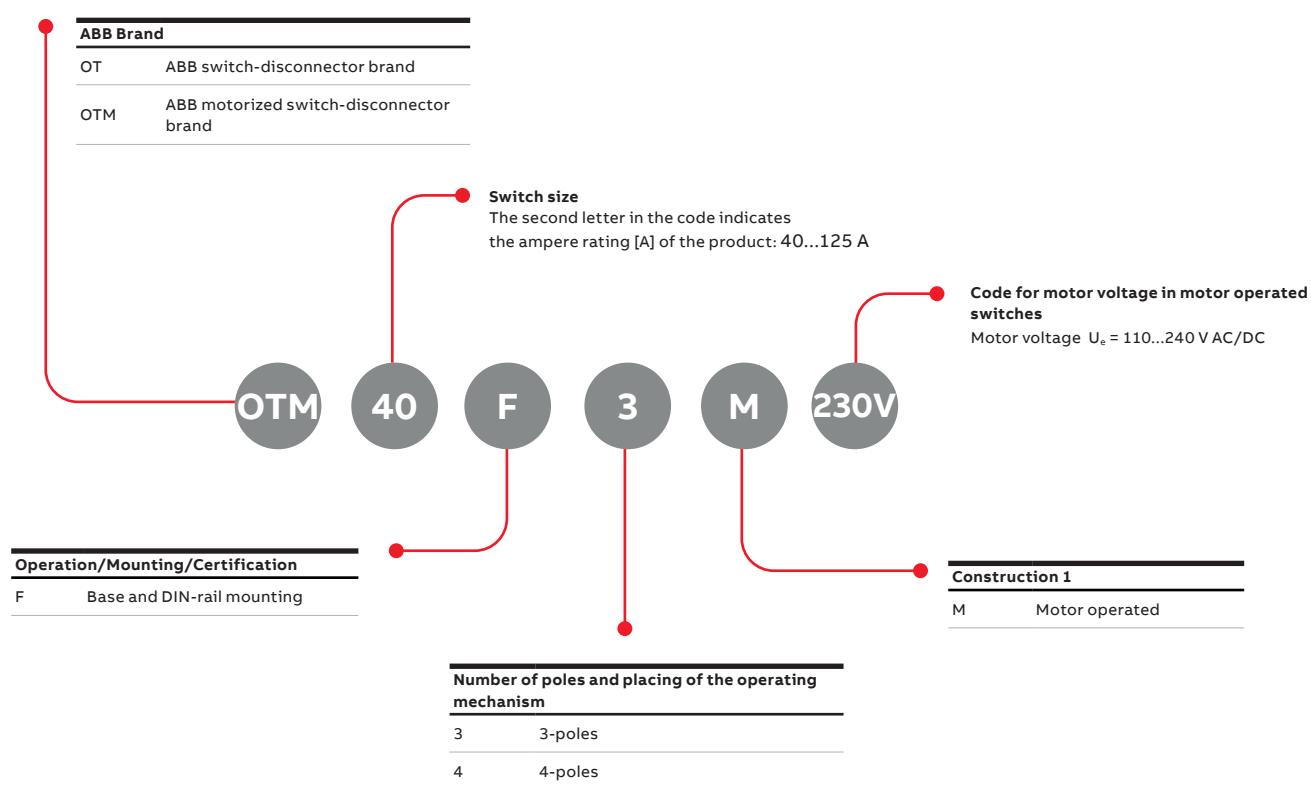
Please note that listed accessories are not automatically included in your order. Ordering information for accessories from page 170-171 and 174-177.

# Motorized switch-disconnectors

## OTM40..125

### Type key

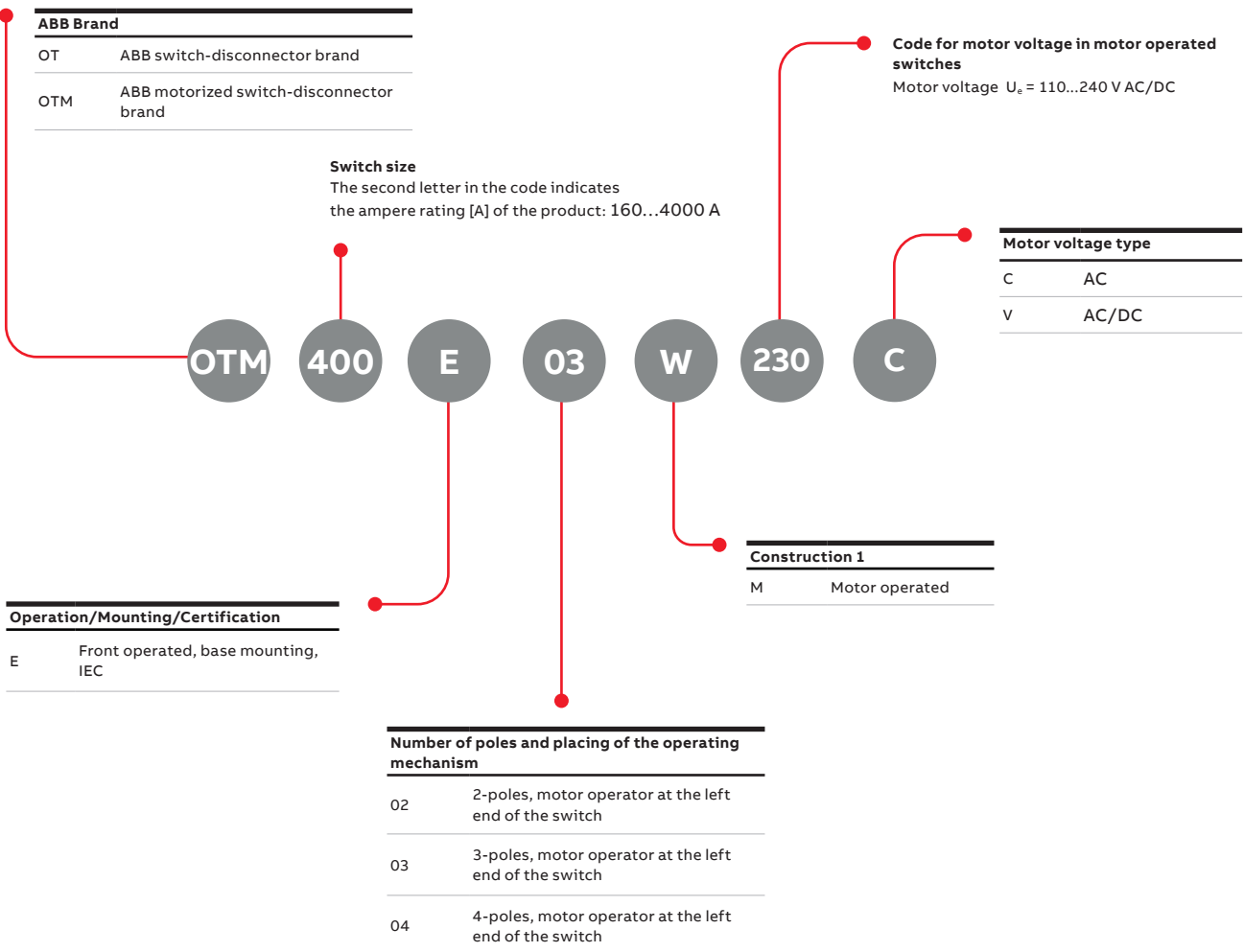
Understanding the type code keys below will help you quickly identify the correct product for your needs.



# Motorized switch-disconnectors OTM160...4000

## Type key

Understanding the type code keys below will help you quickly identify the correct product for your needs.



## Motorized switch-disconnectors, IEC

### Technical data

#### Technical data according to IEC 60947-3

| Switch type  |                                    | OTM40F             | OTM63F   | OTM80F                  | OTM100F                 | OTM125F                 |                         |
|--|------------------------------------|--------------------|--|-------------------------|-------------------------|-------------------------|-------------------------|
| Rated insulation voltage and rated operational voltage AC20/DC20   | Pollution degree 3                 | 800 V              | 800 V  | 800 V                   | 800 V                   | 800 V                   |                         |
| Dielectric strength  | 50 Hz 1 min.                       | 6 kV               | 6 kV   | 6 kV                    | 6 kV                    | 6 kV                    |                         |
| Rated impulse withstand voltage  |                                    | 8 kV               | 8 kV   | 8 kV                    | 8 kV                    | 8 kV                    |                         |
| Rated thermal current and rated operational current AC20/DC20  | Ambient 40 °C <sup>2)</sup>        | In open air        | 40 A   | 63 A                    | 80 A                    | 115 A                   | 125 A                   |
|  | Ambient 40 °C <sup>2)</sup>        | In enclosure       | 40 A   | 63 A                    | 80 A                    | 115 A                   | 125 A                   |
|  | Ambient 60 °C                      | In enclosure       | 32 A   | 50 A                    | 63 A                    | 80 A                    | 100 A                   |
| ..with minimum conductor cross section   | Cu                                 | 10 mm <sup>2</sup> | 16 mm <sup>2</sup>                                     | 25 mm <sup>2</sup>      | 35 mm <sup>2</sup>      | 50 mm <sup>2</sup>      |                         |
| Rated operational current, AC-21A  | up to 500 V                        | 40 A               | 63 A   | 80 A                    | 100 A                   | 125 A                   |                         |
|  | 690 V                              | 40 A               | 63 A   | 80 A                    | 100 A                   | 125 A                   |                         |
| Rated operational current, AC-22A  | up to 500 V                        | 40 A               | 63 A   | 80 A                    | 100 A                   | 125 A                   |                         |
|  | 690 V                              | 40 A               | 63 A   | 80 A                    | 100 A                   | 125 A                   |                         |
| Rated operational current, AC-23A  | up to 415 V                        | 40 A               | 63 A   | 80 A                    | 80 A                    | 90 A                    |                         |
|  | 500 V                              | 40 A               | 63 A   | 80 A                    | 80 A                    | 70 A                    |                         |
|  | 690 V                              | 40 A               | 40 A   | 40 A                    | 40 A                    | 50 A                    |                         |
| Rated operational current / poles in series, DC-21A  | up to 48 V                         | 40 A/1             | 63 A/1   | 80 A/1                  | 100 A/1                 | 125 A/1                 |                         |
|  | 110 V                              | 40A/2              | 63 A/2   | 80 A/2                  | 100 A/2                 | 125 A/2                 |                         |
|  | 220 V                              | 40 A/3             | 63 A/4   | 80 A/4                  | 100 A/4                 | 125 A/4                 |                         |
| Rated operational current / poles in series, DC-22A  | up to 48 V                         | 40 A/1             | 63 A/1   | 80 A/1                  | 100 A/1                 | 125 A/1                 |                         |
|  | 110 V                              | 40 A/2             | 63 A/2   | 80 A/2                  | 100 A/2                 | 125 A/2                 |                         |
|  | 220 V                              | 40 A/4             | 63 A/4   | 80 A/4                  | 80 A/4                  | 80 A/4                  |                         |
| Rated operational current / poles in series, DC-23A  | up to 48 V                         | 40 A/1             | 63 A/1   | 80 A/1                  | 100 A/1                 | 125 A/1                 |                         |
|  | 110 V                              | 40 A/2             | 63 A/2   | 80 A/2                  | 100 A/2                 | 125 A/2                 |                         |
|  | 220 V                              | 40 A/4             | 63 A/4   | 63 A/4                  | 63 A/4                  | 63 A/4                  |                         |
| Rated operational power, AC-23A<br>(These values are given for guidance and may vary acc. to the motor manufacturer)   | 230 V                              | 7.5 kW             | 15 kW  | 22 kW                   | 22 kW                   | 22 kW                   |                         |
|  | 400...415 V                        | 18.5 kW            | 30 kW  | 37 kW                   | 37 kW                   | 45 kW                   |                         |
|  | 500 V                              | 22 kW              | 37 kW  | 37 kW                   | 37 kW                   | 45 kW                   |                         |
|  | 690 V                              | 37 kW              | 37 kW  | 37 kW                   | 37 kW                   | 45 kW                   |                         |
| Rated breaking capacity, AC-23A  | up to 415 V                        | 320 A              | 504 A  | 640 A                   | 640 A                   | 720 A                   |                         |
|  | 500 V                              | 320 A              | 480 A  | 480 A                   | 480 A                   | 560 A                   |                         |
|  | 690 V                              | 320 A              | 320 A  | 320 A                   | 320 A                   | 400 A                   |                         |
| Rated conditional short-circuit current $I_{cc}$ (r.m.s.) and corresponding max. allowed cut-off current $\hat{I}_c$ .<br>The cut-off current $\hat{I}_c$ refers to values listed by fuse manufacturers (single phase test acc. to IEC60269) | $I_{cc}$ 50kA, 415V                | $\hat{I}_c$        | 16.5 kA  | 16.5 kA                 | 16.5 kA                 | 16.5 kA                 | 16.5 kA                 |
|  |                                    | gG/aM              | 125 A/125 A  | 125 A/125 A             | 125 A/125 A             | 125 A/125 A             | 125 A/125 A             |
|  | $I_{cc}$ 18kA, 690V                | $\hat{I}_c$        | 11 kA  | 11 kA                   | 11 kA                   | 11 kA                   | 11 kA                   |
|  |                                    | gG/aM              | 125 A/125 A  | 125 A/125 A             | 125 A/125 A             | 125 A/125 A             | 125 A/125 A             |
| $I_{cc}$ 50kA, 690V  | $\hat{I}_c$                        |                    |  |                         |                         |                         |                         |
|  | gG/aM                              | 63 A/63 A          | 63 A/63 A  | 63 A/63 A               | 63 A/63 A               | 63 A/63 A               |                         |
| Rated short-time withstand current   | r.m.s. -value $I_{cw}$             | 690 V, 1s.         | 2.5 kA   | 2.5 kA                  | 2.5 kA                  | 2.5 kA                  |                         |
| Rated short circuit making capacity <sup>1)</sup>  | Peak value $I_{cm}$                | 690 V              | 3.6 kA   | 3.6 kA                  | 3.6 kA                  | 3.6 kA                  |                         |
| Rated capacitor power (The capacitor ratings are limited by the fuse link.)  |                                    | 400...415 V        | 15 kVAr  | 25 kVAr                 | 30 kVAr                 | 40 kVAr                 | 50 kVAr                 |
| Power loss / pole  | With related current               |                    | 1.6 W  | 2.8 W                   | 3.5 W                   | 4.0 W                   | 6.3 W                   |
| Mechanical endurance   | Divide by two for operation cycles |                    | 20 000 Oper.   | 20 000 Oper.            | 20 000 Oper.            | 20 000 Oper.            | 20 000 Oper.            |
| Cable size   | Cu-wire size suitable              |                    | 2.5...25 mm <sup>2</sup><br>2x2.5...16 mm <sup>2</sup> | 10...70 mm <sup>2</sup> | 10...70 mm <sup>2</sup> | 10...70 mm <sup>2</sup> | 10...70 mm <sup>2</sup> |
|  | For terminal clamps                |                    | 14-4 AWG<br>2x14-6 AWG                                 | 8-2/0 AWG               | 8-2/0 AWG               | 8-2/0 AWG               | 8-2/0 AWG               |
| Terminal tightening torque   | Counter torque required            |                    | 6 Nm   | 6 Nm                    | 6 Nm                    | 6 Nm                    | 6 Nm                    |
|  |                                    |                    | 55 lb.in   | 55 lb.in                | 55 lb.in                | 55 lb.in                | 55 lb.in                |
| Operating torque   | 3-pole switches                    |                    | 5 Nm   | 5 Nm                    | 5 Nm                    | 5 Nm                    |                         |
| Weight without accessories   | 3-pole                             |                    | 0.89 kg  | 0.89 kg                 | 0.89 kg                 | 0.89 kg                 | 0.89 kg                 |
|  | 4-pole                             |                    | 1.00 kg  | 1.00 kg                 | 1.00 kg                 | 1.00 kg                 | 1.00 kg                 |

<sup>1)</sup> Short circuit duration >50 ms, without fuse protection

<sup>2)</sup> Acc. to IEC 60947-1, § 6.1.1.

# Motorized switch-disconnectors, IEC

## Technical data

### Technical data according to IEC 60947-3

| Switch type  |   | OTM160E               | OTM200E            | OTM250E               | OTM315E               | OTM400E               | OTM630E               | OTM800E               |
|--|---|-----------------------|--------------------|-----------------------|-----------------------|-----------------------|-----------------------|-----------------------|
| Rated insulation voltage and rated operational voltage AC-20, DC-20  | Pollution degree 3                                  | 1 000 V               | 1 000 V            | 1 000 V               | 1 000 V               | 1 000 V               | 1 000 V               | 1 000 V               |
| Dielectric strength  | 50 Hz 1 min.  | 10 kV                 | 10 kV              | 10 kV                 | 10 kV                 | 10 kV                 | 10 kV                 | 10 kV                 |
| Rated impulse withstand voltage  |   | 12 kV                 | 12 kV              | 12 kV                 | 12 kV                 | 12 kV                 | 12 kV                 | 12 kV                 |
| Rated thermal current and rated operational current AC-20, DC-20   | In open air   | 200 A                 | 200 A              | 250 A                 | 315 A                 | 400 A                 | 630 A                 | 800 A                 |
| in ambient 40 °C (4)   | In enclosure  | 160 A                 | 200 A              | 250 A                 | 315 A                 | 400 A                 | 630 A                 | 800 A                 |
| ...with minimum cable cross section  |   | Cu 70 mm <sup>2</sup> | 95 mm <sup>2</sup> | 120 mm <sup>2</sup>   | 185 mm <sup>2</sup>   | 240 mm <sup>2</sup>   | 2x185 mm <sup>2</sup> | 2x240 mm <sup>2</sup> |
| Rated operational current, AC-21A  | ≤ 500 V   | 200 A                 | 200 A              | 250 A                 | 315 A                 | 400 A                 | 630 A                 | 800 A                 |
|  | 690 V   | 160 A                 | 200 A              | 250 A                 | 315 A                 | 400 A                 | 630 A                 | 800 A                 |
|  | 1000 V  | 160 A                 | 200 A              | 250 A                 | 315 A                 | 400 A                 | 630 A                 | 800 A                 |
| Rated operational current, AC-22A  | ≤ 500 V   | 200 A                 | 200 A              | 250 A                 | 315 A                 | 400 A                 | 630 A                 | 800 A                 |
|  | 690 V   | 160 A                 | 200 A              | 250 A                 | 315 A                 | 400 A                 | 630 A                 | 800 A                 |
|  | 1000 V  | 160 A                 | 200 A              | 250 A                 | 315 A                 | 400 A                 | 630 A                 | 800 A                 |
| Rated operational current, AC-23A  | ≤ 500 V   | 160 A                 | 200 A              | 250 A                 | 315 A                 | 400 A                 | 630 A                 | 800 A                 |
|  | 690 V   | 160 A                 | 200 A              | 250 A                 | 315 A                 | 400 A                 | 630 A                 | 800 A                 |
|  | 1000 V  | 135 A                 | 135 A              | 135 A                 | 200 A                 | 200 A                 | 400 A                 | 400 A                 |
| Rated operational current / poles in series, DC-21A <sup>1)</sup>  | 24...110 V  | 160 A/2               | 200 A/2            | 250 A/2               | 315 A/1 <sup>2)</sup> | 400 A/1 <sup>2)</sup> | 630 A/1               | 800 A/1               |
|  | 220 V   | 160 A/2               | 200 A/2            | 250 A/2               | 315 A/2 <sup>2)</sup> | 400 A/2 <sup>2)</sup> | 630 A/1               | 800 A/1               |
|  | 440 V   | 160 A/3               | 200 A/3            | 250 A/3               | 315 A/3               | 360 A/3               | 630 A/2               | 800 A/2               |
|  | 660 V   | 160 A/4               | 200 A/4            | 230 A/4 <sup>2)</sup> | 315 A/4               | 360 A/4               | 630 A/4 <sup>2)</sup> | 650 A/4 <sup>2)</sup> |
| Rated operational power, AC-23<br><br>(These values are given for guidance and may vary acc. to the motor manufacturer)  | 230 V   | 48 kW                 | 60 kW              | 75 kW                 | 100 kW                | 132 kW                | 200 kW                | 250 kW                |
|  | 400 V   | 80 kW                 | 110 kW             | 140 kW                | 160 kW                | 220 kW                | 355 kW                | 450 kW                |
|  | 415 V   | 88 kW                 | 110 kW             | 145 kW                | 180 kW                | 230 kW                | 355 kW                | 450 kW                |
|  | 500 V   | 112 kW                | 132 kW             | 170 kW                | 220 kW                | 280 kW                | 400 kW                | 560 kW                |
|  | 690 V   | 144 kW                | 200 kW             | 250 kW                | 315 kW                | 400 kW                | 630 kW                | 800 kW                |
| Rated breaking capacity in category AC-23  | ≤ 500 V   | 1 280 A               | 1 600 A            | 2 000 A               | 2 520 A               | 3 200 A               | 5 040 A               | 6 400 A               |
|  | 690 V   | 1 280 A               | 1 600 A            | 2 000 A               | 2 520 A               | 3 200 A               | 5 040 A               | 6 400 A               |
| Rated conditional short-circuit current I <sub>q</sub> (r.m.s.) and corresponding max. allowed cut-off current $\hat{I}_c$ of fuse. The cut-off current $\hat{I}_c$ refers to values listed by fuse manufacturers (single phase test acc. to IEC60269) | I <sub>q</sub> 100kA, 500V<br>Max. OFA_fuse size    | $\hat{I}_c$           | 40.5 kA            | 40.5 kA               | 40.5 kA               | 61.5 kA               | 61.5 kA               | 90 kA                 |
|  |   | gG/aM                 | 315 A/315 A        | 315 A/315 A           | 315 A/315 A           | 500 A/450 A           | 500 A/450 A           | 800 A/1 000 A         |
|  | I <sub>q</sub> 80kA, 690V<br>Max. OFA_fuse size     | $\hat{I}_c$           | 40.5 kA            | 40.5 kA               | 40.5 kA               | 59 kA                 | 59 kA                 | 83.5 kA               |
|  |   | gG/aM                 | 355 A/315 A        | 355 A/315 A           | 355 A/315 A           | 500 A/500 A           | 500 A/500 A           | 800 A/1 000 A         |
| Rated short-time withstand current   | r.m.s. value I <sub>cw</sub>                        | ≤ 1000 V 0.15 s       | 15 kA              | 15 kA                 | 15 kA                 | 31 kA                 | 31 kA                 | 38 kA                 |
|  |   | ≤ 1000 V 0.25 s       | 15 kA              | 15 kA                 | 15 kA                 | 24 kA                 | 24 kA                 | 36 kA                 |
|  |   | ≤ 1000 V 1 s          | 8 kA               | 8 kA                  | 8 kA                  | 15 kA                 | 15 kA                 | 20 kA                 |
| Rated short-circuit making capacity  | Peak value I <sub>cm</sub>                          | ≤ 1000 V              | 30 kA              | 30 kA                 | 30 kA                 | 65 kA                 | 65 kA                 | 80 kA                 |
| Rated capacitor power when no initial charge on the capacitor  | The capacitor ratings are limited by the fuse links | 415 V                 | 80 kVAr            | 100 kVAr              | 115 kVAr              | 145 kVAr              | 180 kVAr              | 250 kVAr              |
|  |   | 500 V                 | 96 kVAr            | 120 kVAr              | 135 kVAr              | 175 kVAr              | 215 kVAr              | 300 kVAr              |
|  |   | 690 V                 | 128 kVAr           | 160 kVAr              | 190 kVAr              | 250 kVAr              | 325 kVAr              | 450 kVAr              |
| Power loss / pole  | With rated current                                  | 3.2 W                 | 4 W                | 6.5 W                 | 6.5 W                 | 10 W                  | 25 W                  | 40 W                  |
| Mechanical endurance   | Divide by two for oper. cycles                      | 20 000 Oper.          | 20 000 Oper.       | 20 000 Oper.          | 16 000 Oper.          | 16 000 Oper.          | 10 000 Oper.          | 10 000 Oper.          |
| Weight without accessories   | 3-pole switch                                       | 5.08 kg               | 5.08 kg            | 5.08 kg               | 7.6 kg                | 7.6 kg                | 13.6 kg               | 13.6 kg               |
| Terminal bolt size   | Metric thread diameter x length                     | M8x25 mm              | M8x25 mm           | M8x25 mm              | M10x30 mm             | M10x30 mm             | M12x40 mm             | M12x40 mm             |
| Terminal tightening torque   | Counter torque required                             | 15-22 Nm              | 15-22 Nm           | 15-22 Nm              | 30-44 Nm              | 30-44 Nm              | 50-75 Nm              | 50-75 Nm              |
| Operating torque   | 3-pole switch disconnector                          | 7 Nm                  | 7 Nm               | 7 Nm                  | 16 Nm                 | 16 Nm                 | 27 Nm                 | 27 Nm                 |

<sup>1)</sup> Further ratings on request.

<sup>2)</sup> Category B.

## Motorized switch-disconnectors, IEC

### Technical data

#### Technical data according to IEC 60947-3

| Switch type   |   |                | OTM1000E              | OTM1250E              | OTM1600E              | OTM2000E                 | OTM2500E                 | OTM3200E                | OTM4000E  |
|---|---|----------------|-----------------------|-----------------------|-----------------------|--------------------------|--------------------------|-------------------------|---|
| Rated insulation voltage and rated operational voltage AC20/DC20  | Pollution degree 3  |                | 1 000 V               | 1 000 V               | 1 000 V               | 1 000 V                  | 1 000 V                  | 1 000 V                 | 1 000 V   |
| Dielectric strength   |   | 50 Hz 1 min.   | 10 kV                 | 10 kV                 | 10 kV                 | 10 kV                    | 10 kV                    | 10 kV                   | 10 kV   |
| Rated impulse withstand voltage   |   |                | 12 kV                 | 12 kV                 | 12 kV                 | 12 kV                    | 12 kV                    | 8 kV                    | 8 kV  |
| Rated thermal current and rated operational current AC20/DC20   | Ambient 40 °C <sup>1)</sup>   | In open air    | 1 000 A               | 1 250 A               | 1 600 A               | 2 000 A                  | 2 500 A                  | 3 200 A                 | 3 800 A <sup>2)</sup> ,<br>4000 A <sup>5)</sup> |
|   | Ambient 40 °C <sup>1)</sup>   | In enclosure   | 1 000 A               | 1 250 A               | 1 600 A               | –                        | –                        | –                       | –   |
| ..with minimum conductor cross section  | Cu  |                | 2x300 mm <sup>2</sup> | 2x400 mm <sup>2</sup> | 2x500 mm <sup>2</sup> | 3x500 mm <sup>2</sup>    | 4x500 mm <sup>2</sup>    | 4x1 000 mm <sup>2</sup> | 5x1 000 mm <sup>2</sup>                         |
| Rated operational current, AC-21A   |   | up to 690 V    | 1 000 A               | 1 250 A               | 1 600 A               | 2 000 A <sup>3)</sup>    | 2 500 A <sup>3)</sup>    | –                       | –   |
|   |   | 1000 V         | 1 000 A               | 1 250 A               | 1 600 A               | –                        | –                        | –                       | –   |
| Rated operational current, AC-22A   |   | up to 415 V    | 1 000 A               | 1 250 A               | 1 600 A               | 2 000 A <sup>3)</sup>    | 2 500 A <sup>3)</sup>    | 3 200 A <sup>3)</sup>   | 3 800 A <sup>2)</sup> ,<br>4000 A <sup>5)</sup> |
|   |   | 500 - 690 V    | 1 000 A               | 1 250 A               | 1 600 A               | 2 000 A <sup>2) 3)</sup> | 2 500 A <sup>2) 3)</sup> | –                       | –   |
| Rated operational current, AC-23A   |   | up to 500 V    | 1 000 A               | 1 250 A               | 1 250 A               | –                        | –                        | –                       | –   |
|   |   | 690 V          | 1 000 A               | 1 250 A               | 1 250 A               | –                        | –                        | –                       | –   |
| Rated operational power, AC-23A<br>(These values are given for guidance and may vary acc. to the motor manufacturer)  |   | 400..415 V     | 560 kW                | 710 kW                | 710 kW                | –                        | –                        | –                       | –   |
|   |   | 440 V          | 630 kW                | 800 kW                | 800 kW                | –                        | –                        | –                       | –   |
|   |   | 500 V          | 710 kW                | 900 kW                | 900 kW                | –                        | –                        | –                       | –   |
|   |   | 690 V          | 1 000 kW              | 1 200 kW              | 1 200                 | –                        | –                        | –                       | –   |
| Rated breaking capacity, AC-23A   |   | up to 500 V    | 10 000 A              | 10 000 A              | 10 000 A              | –                        | –                        | –                       | –   |
|   |   | 690 V          | 10 000 A              | 10 000 A              | 10 000 A              | –                        | –                        | –                       | –   |
| Rated conditional short-circuit current I <sub>cc</sub> (r.m.s.) and corresponding max. allowed cut-off current I <sub>c</sub> . The cut-off current I <sub>c</sub> refers to values listed by fuse manufacturers (single phase test acc. to IEC60269). | I <sub>q</sub> 80kA, 415V<br>Max. OFA_fuse size   | I <sub>c</sub> | 100 kA                | 100 kA                | 100 kA                | –                        | –                        | –                       | –   |
|   |   | gG/aM          | 1 250 A/<br>1 250 A   | 1 250 A/<br>1 250 A   | 1 250 A/<br>1 250 A   | –                        | –                        | –                       | –   |
| Rated short-time withstand current  | r.m.s. -value I <sub>cw</sub>   | 690 V, 0.25 s  | 50 kA                 | 50 kA                 | 50 kA                 | 80 kA                    | 80 kA                    | 60 kA                   | 60 kA   |
|   |   | 690 V, 1 s     | 50 kA                 | 50 kA                 | 50 kA                 | 55 kA                    | 55 kA                    | –                       | –   |
| Rated short circuit making capacity   | Peak value I <sub>cm</sub><br>Max. distance from switch frame to nearest busbar/cable support | 690 V          | 110 kA <sup>4)</sup>  | 110 kA <sup>4)</sup>  | 110 kA <sup>4)</sup>  | 176 kA                   | 176 kA                   | 176 kA                  | 176 kA  |
|   |   |                | 150 mm                | 150 mm                | 150 mm                | 150 mm                   | 150 mm                   | 150 mm                  | 150 mm  |
| Rated capacitor power when no initial charge on the capacitor   | The capacitor ratings are limited by the fuse links   | 415 V          | 460 kVAr              | 575 kVAr              | 575 kVAr              | –                        | –                        | –                       | –   |
|   |   | 500 V          | 550 kVAr              | 690 kVAr              | 690 kVAr              | –                        | –                        | –                       | –   |
|   |   | 690 V          | 750 kVAr              | 950 kVAr              | 950 kVAr              | –                        | –                        | –                       | –   |
| Power loss / pole   | At rated operational current  |                | 19 W                  | 29 W                  | 48 W                  | 55 W                     | 85 W                     | 95 W                    | 120 W   |
| Mechanical endurance  | Divide by two for operation cycles  |                | 6 000 Oper.           | 6 000 Oper.           | 6 000 Oper.           | 6 000 Oper.              | 6 000 Oper.              | 5 000 Oper.             | 5 000 Oper.                                     |
| Weight without accessories  | 3-pole  |                | 25 kg                 | 25 kg                 | 26 kg                 | 32 kg                    | 32 kg                    | 46.2 kg                 | 51 kg   |
| Terminal bolt size  | Metric thread diameter x length   |                | M12x50 mm             | M12x50 mm             | M12x60 mm             | M12x60 mm                | M12x60 mm                | M12x60 mm               | M12x60 mm                                       |
| Terminal tightening torque  | Counter torque required   |                | 50...75 Nm            | 50...75 Nm            | 50...75 Nm            | 50...75 Nm               | 50...75 Nm               | 50...75 Nm              | 50...75 Nm                                      |
| Operating torque  | 3-pole switch-disconnector  |                | 78 Nm                 | 78 Nm                 | 78 Nm                 | 78 Nm                    | 78 Nm                    | 80 Nm                   | 80 Nm   |

<sup>1)</sup> Acc. to IEC60947-1, § 6.1.1.

<sup>2)</sup> IEC 947-3, utilization category B, infrequent operation.

<sup>3)</sup> Phase barriers or terminal shrouds must be used on both sides of the switch at voltages ≥ 500 V.

<sup>4)</sup> The value is 92 kA for 4-pole switch-disconnectors.

<sup>5)</sup> OTM4000E\_W8\_

## Motorized switch-disconnectors

### Technical data, motor operators

Data for motor operator of switch-disconnectors, OTM according to IEC 60947

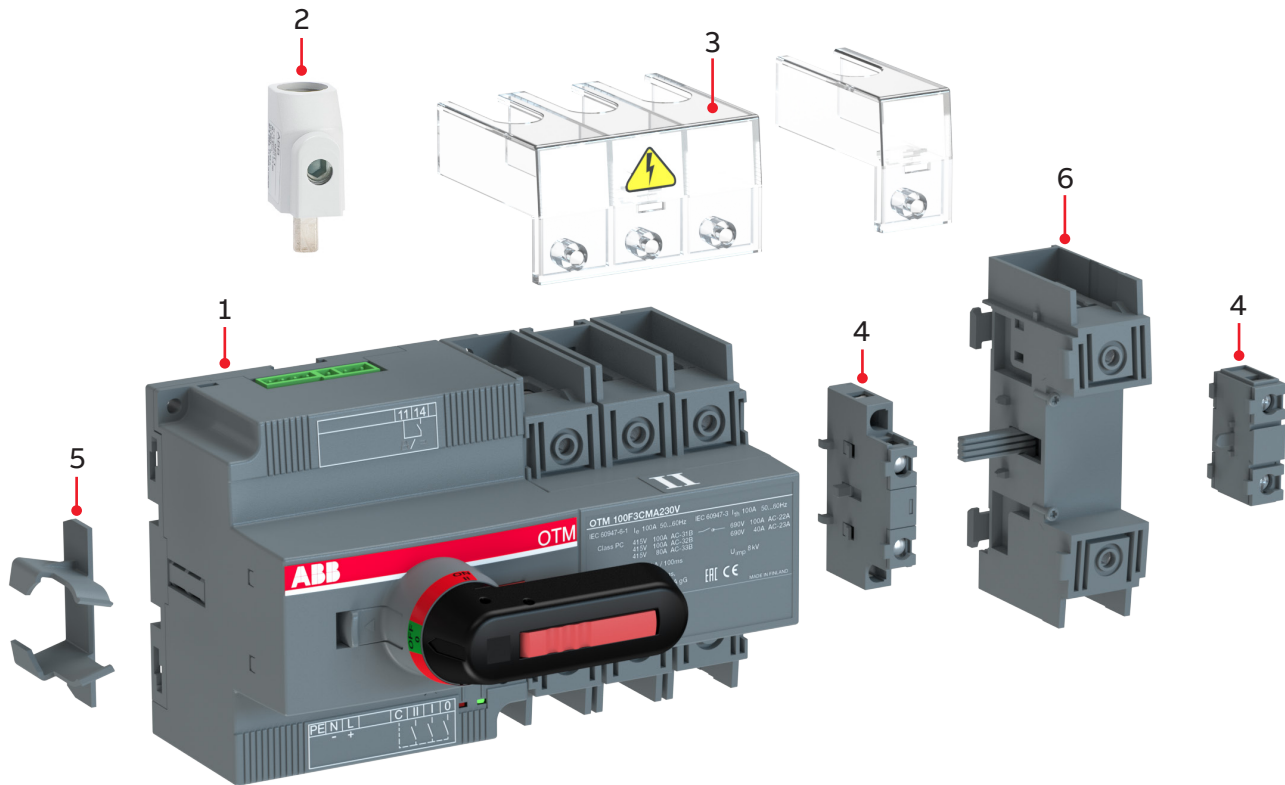
| Switch type                                       |                                  |                    | OTM40...125               | OTM160...250              | OTM315...400              | OTM600...800              | OTM1000...4000                   |
|---|----------------------------------|--------------------|---------------------------|---------------------------|---------------------------|---------------------------|----------------------------------|
| Rated operational voltage $U_e$                   | Pollution degree 3               | 3- and 4-pole      | 110...240 V AC/DC         | -                         | -                         | -                         | -                                |
|   | 50/60 Hz                         | 2-pole             | -                         | 220V...240 V AC/DC        | 220V...240 V AC/DC        | 220V...240 V AC/DC        | 220V...240 V AC/DC <sup>2)</sup> |
|   |                                  | 3-pole             | -                         | 220V...240 V AC           | 220V...240 V AC           | 220V...240 V AC           | 220V...240 V AC                  |
| Operating voltage range                           |                                  |                    | 0.85...1.1 x $U_e$        | 0.85...1.1 x $U_e$        | 0.85...1.1 x $U_e$        | 0.85...1.1 x $U_e$        | 0.85...1.1 x $U_e$               |
| Operating time <sup>1)</sup>                      | 90° I-0,0-I                      | 110...240 V AC/DC  | 0.5...1.0 s               | -                         | -                         | -                         | -                                |
|   |                                  | 24 V DC            | 0.6...1.3 s               | -                         | -                         | -                         | -                                |
| Nominal current $I_n$ <sup>1)</sup>               |                                  | 110-240 V AC       | -                         | 0.5...1.0 s               | 0.5...1.0 s               | 0.5...1.5 s               | 1.0...2.0 s                      |
| Current inrush <sup>1)</sup>                      |                                  | 110-240 V AC       | -                         | 1.5 A                     | 2.5 A                     | 4 A                       | 10 A                             |
| Overload fuse                                     | Type / $I_n$ / Capacity          | 110-240 V AC       | -                         | T / 315 mA / H            | T / 500 mA / H            | T / 1000 mA / H           | T / 2000 mA / H                  |
|   | Size                             |                    | -                         | 5x20 mm                   | 5x20 mm                   | 5x20 mm                   | 5x20 mm                          |
| Operating rate                                    | Max. continuous                  |                    | 1 cycles / min            | 1 cycles / min            | 1 cycles / min            | 1 cycles / min            | 0.5 cycles / min                 |
|   | Max. short-time $\leq$ 10 cycles |                    | 10 cycles / min           | 10 cycles / min           | 10 cycles / min           | 10 cycles / min           | 5 cycles / min                   |
| Overvoltage category                              |                                  |                    | III                       | III                       | III                       | III                       | III                              |
| Rated impulse withstand voltage $U_{imp}$         |                                  |                    | 4 kV                      | 4 kV                      | 4 kV                      | 4 kV                      | 4 kV                             |
| Dielectric strength                               |                                  | 50 Hz 1 min.       | 1.5 kV                    | 1.5 kV                    | 1.5 kV                    | 1.5 kV                    | 1.5 kV                           |
| Impulse command                                   | Min. impulse                     |                    | -                         | -                         | -                         | -                         | -                                |
|   | duration                         |                    | 100 ms                    | 100 ms                    | 100 ms                    | 100 ms                    | 100 ms                           |
| <b>Terminals</b>                                  |                                  |                    |                           |                           |                           |                           |                                  |
| <b>Voltage supply wiring for <math>U_e</math></b> |                                  |                    | PE - N - L                | PE - N - L                | PE - N - L                | PE - N - L                | PE - N - L                       |
| Cross section                                     |                                  | solid/stranded     | 1.5...2.5 mm <sup>2</sup> | 1.5...2.5 mm <sup>2</sup> | 1.5...2.5 mm <sup>2</sup> | 1.5...2.5 mm <sup>2</sup> | 1.5...2.5 mm <sup>2</sup>        |
| Short-circuit protection device                   |                                  | max.MCB/ fuse size | 16 A                      | 16 A                      | 16 A                      | 16 A                      | 16 A                             |
| <b>Control terminal for the push -buttons</b>     |                                  |                    | C - I - O                 | C - I - O                 | C - I - O                 | C - I - O                 | C - I - O                        |
| Push-button control                               |                                  |                    | -                         | no SELV                   | no SELV                   | no SELV                   | no SELV                          |
| Cross section                                     |                                  | solid/stranded     | 1.5 - 2.5 mm <sup>2</sup> | 1.5 - 2.5 mm <sup>2</sup> | 1.5...2.5 mm <sup>2</sup> | 1.5...2.5 mm <sup>2</sup> | 1.5...2.5 mm <sup>2</sup>        |
| Maximum cable length                              |                                  |                    | 100 m                     | 100 m                     | 100 m                     | 100 m                     | 100 m                            |
| <b>Terminal for state information</b>             |                                  | solid/stranded     | 1.5 mm <sup>2</sup>       | -                         | -                         | -                         | -                                |
| State information of locking                      |                                  |                    | -                         | no SELV                   | no SELV                   | no SELV                   | no SELV                          |
| Common, voltage supply                            |                                  | 11                 | 3 A/AC-1/250 V            | -                         | -                         | -                         | -                                |
| Handle attached or motor operator locked          |                                  | 14                 | 3 A/AC-1/250 V            | -                         | -                         | -                         | -                                |
| Locking motor operator                            |                                  | 11-12-14 (C/O)     | -                         | 5 A/250 V cos=1           | 5 A/250 V cos=1           | 5 A/250 V cos=1           | 5 A/250 V cos=1                  |
|   |                                  | 23-24 (NO)         | -                         | 5 A/250 V cos=1           | 5 A/250 V cos=1           | 5 A/250 V cos=1           | 5 A/250 V cos=1                  |
| Short-circuit protection device                   |                                  | MCB type and size  | C/2A                      | C/2A                      | C/2A                      | C/2A                      | C/2A                             |
| Protection degree (front panel)                   |                                  |                    | IP20                      | IP20                      | IP20                      | IP20                      | IP20                             |
| Operating temperature                             |                                  |                    | -25...+55 °C              | -25...+55 °C              | -25...+55 °C              | -25...+55 °C              | -25...+55 °C                     |
| Transportation and storage temperature            |                                  |                    | -40...+70 °C              | -40...+70 °C              | -40...+70 °C              | -40...+70 °C              | -40...+70 °C                     |
| Max. altitude                                     |                                  |                    | 2 000 m                   | 2 000 m                   | 2 000 m                   | 2 000 m                   | 2 000 m                          |

<sup>1)</sup> Under nominal conditions.

<sup>2)</sup> Up to 2500A

## Motorized switch-disconnectors

### Ordering information



### Accessory guide for OTM40...125

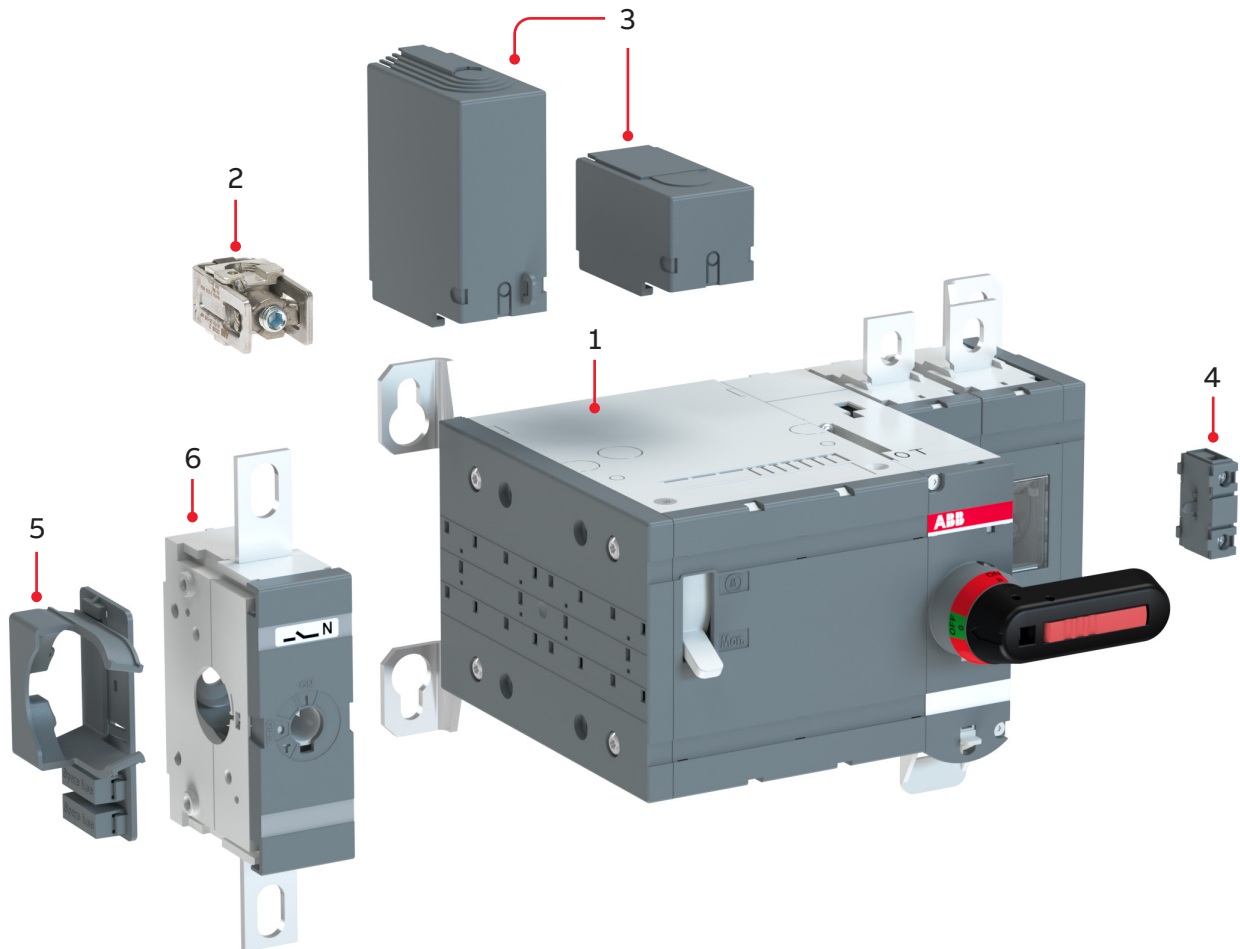
- |                                  |                                      |
|----------------------------------|--------------------------------------|
| 1. Motorized switch-disconnector | 4. Auxiliary contact                 |
| 2. Terminal clamp                | 5. Storage clip for handle and fuses |
| 3. Terminal shroud               | 6. Detachable neutral link           |

Please note that listed accessories are not automatically included in your order.



## Motorized switch-disconnectors

### Ordering information



### Accessory guide for OTM160...2500

- |                                  |                                      |
|----------------------------------|--------------------------------------|
| 1. Motorized switch-disconnector | 4. Auxiliary contact                 |
| 2. Terminal clamp                | 5. Storage clip for handle and fuses |
| 3. Terminal shroud               | 6. Detachable neutral link           |

Please note that listed accessories are not automatically included in your order.

## Motorized switch-disconnectors, IEC

### Ordering information



OTM40...125F3M\_



OTM40...125F4M\_

### Motorized switch-disconnectors, IEC

Including a handle for manual operation and terminal clamps.

Type codes for motor voltage  $U_e = 110...240$  V AC/DC.

| Rated current               |                          | Number of poles | Type          | Order code      | Weight/<br>unit<br>kg |
|-----------------------------|--------------------------|-----------------|---------------|-----------------|-----------------------|
| AC-22A<br>$\leq 690$ V<br>A | AC-23A<br>415/690 V<br>A |                 |               |                 |                       |
| 40                          | 40/40                    | 3               | OTM40F3M230V  | 1SCA122972R1001 | 1.13                  |
| 63                          | 63/40                    | 3               | OTM63F3M230V  | 1SCA122971R1001 | 1.13                  |
| 80                          | 80/40                    | 3               | OTM80F3M230V  | 1SCA122970R1001 | 1.13                  |
| 100                         | 80/40                    | 3               | OTM100F3M230V | 1SCA122969R1001 | 1.13                  |
| 125                         | 90/50                    | 3               | OTM125F3M230V | 1SCA122968R1001 | 1.13                  |
| 40                          | 40/40                    | 4               | OTM40F4M230V  | 1SCA122977R1001 | 1.24                  |
| 63                          | 63/40                    | 4               | OTM63F4M230V  | 1SCA122976R1001 | 1.24                  |
| 80                          | 80/40                    | 4               | OTM80F4M230V  | 1SCA122975R1001 | 1.24                  |
| 100                         | 80/40                    | 4               | OTM100F4M230V | 1SCA122974R1001 | 1.24                  |
| 125                         | 90/50                    | 4               | OTM125F4M230V | 1SCA122973R1001 | 1.24                  |

### Handle included as standard

| Suitable for switch disconnectors | Handle+shaft kit |
|-----------------------------------|------------------|
| OTM40...125                       | OHB65D6CM        |

## Motorized switch-disconnectors, IEC

### Ordering information



OTM315...400E3M\_



OTM630...800E3M\_

### Motorized switch-disconnectors, IEC

Including a handle for manual operation, bolt kit with nut and washers for all terminals, male connectors for control circuit and a handle and spare fuse storage clip.

Type codes for motor voltage  $U_e = 220...240$  V AC/DC, see table below.

IEC type with standard phase distance.

| Rated current<br>AC-22A $\leq$ 690 V<br>A | Number of<br>poles | Type           | Order code      | Weight/<br>unit<br>kg |
|---|--------------------|----------------|-----------------|-----------------------|
| 160/160                                   | 3                  | OTM160E3M230C  | 1SCA115283R1001 | 4.6                   |
| 160/160                                   | 4                  | OTM160E4M230C  | 1SCA115293R1001 | 5.0                   |
| 200/200                                   | 2                  | OTM200E2M230V  | 1SCA121184R1001 | 4.3                   |
| 200/200                                   | 3                  | OTM200E3M230C  | 1SCA115284R1001 | 4.6                   |
| 200/200                                   | 4                  | OTM200E4M230C  | 1SCA115292R1001 | 5.0                   |
| 250/250                                   | 2                  | OTM250E2M230V  | 1SCA121185R1001 | 4.3                   |
| 250/250                                   | 3                  | OTM250E3M230C  | 1SCA115285R1001 | 4.6                   |
| 250/250                                   | 4                  | OTM250E4M230C  | 1SCA115290R1001 | 5.0                   |
| 315/315                                   | 2                  | OTM315E2M230V  | 1SCA121189R1001 | 7.7                   |
| 315/315                                   | 3                  | OTM315E3M230C  | 1SCA115334R1001 | 8.4                   |
| 315/315                                   | 4                  | OTM315E4M230C  | 1SCA115335R1001 | 9.0                   |
| 400/400                                   | 2                  | OTM400E2M230V  | 1SCA121199R1001 | 7.7                   |
| 400/400                                   | 3                  | OTM400E3M230C  | 1SCA115333R1001 | 8.4                   |
| 400/400                                   | 4                  | OTM400E4M230C  | 1SCA115336R1001 | 9.0                   |
| 630/630                                   | 2                  | OTM630E2M230V  | 1SCA121190R1001 | 11.6                  |
| 630/630                                   | 3                  | OTM630E3M230C  | 1SCA115354R1001 | 17.4                  |
| 630/630                                   | 4                  | OTM630E4M230C  | 1SCA115357R1001 | 18.9                  |
| 800/800                                   | 2                  | OTM800E2M230V  | 1SCA121197R1001 | 11.6                  |
| 800/800                                   | 3                  | OTM800E3M230C  | 1SCA115355R1001 | 17.4                  |
| 800/800                                   | 4                  | OTM800E4M230C  | 1SCA115356R1001 | 18.9                  |
| 1000/1000                                 | 2                  | OTM1000E2M230V | 1SCA121396R1001 | 32.4                  |
| 1000/1000                                 | 3                  | OTM1000E3M230C | 1SCA115364R1001 | 37.0                  |
| 1000/1000                                 | 4                  | OTM1000E4M230C | 1SCA115368R1001 | 42.0                  |
| 1250/1250                                 | 2                  | OTM1250E2M230V | 1SCA121193R1001 | 32.4                  |
| 1250/1250                                 | 3                  | OTM1250E3M230C | 1SCA115365R1001 | 37.0                  |
| 1250/1250                                 | 4                  | OTM1250E4M230C | 1SCA115367R1001 | 42.0                  |
| 1600/1250                                 | 3                  | OTM1600E3M230C | 1SCA115366R1001 | 39.0                  |
| 1600/1250                                 | 4                  | OTM1600E4M230C | 1SCA115369R1001 | 44.0                  |
| 2000 <sup>1)</sup> /-                     | 2                  | OTM2000E2M230V | 1SCA121201R1001 | 32.4                  |
| 2000 <sup>1)</sup> /-                     | 3                  | OTM2000E3M230C | 1SCA115372R1001 | 47.0                  |
| 2000 <sup>1)</sup> /-                     | 4                  | OTM2000E4M230C | 1SCA115374R1001 | 55.0                  |
| 2500 <sup>1)</sup> /-                     | 2                  | OTM2500E2M230V | 1SCA121195R1001 | 32.4                  |
| 2500 <sup>1)</sup> /-                     | 3                  | OTM2500E3M230C | 1SCA115373R1001 | 47.0                  |
| 2500 <sup>1)</sup> /-                     | 4                  | OTM2500E4M230C | 1SCA115375R1001 | 55.0                  |

<sup>1)</sup> Category B, infrequent operation  
2 pole versions, motor voltage  $U_e 220...240$  V AC/DC

### Handle and bolt kits included as standard

| Suitable for switch disconnectors | Handle+shaft kit | Bolt kit |
|-----------------------------------|------------------|----------|
| OTM160...250                      | OTV250EMK        | M8x25    |
| OTM315...400                      | OTV400EMK        | M10X30   |
| OTM630...800                      | OTV800EMK        | M12X40   |

## Motorized switch-disconnectors, IEC

### Ordering information



OTM1000...1250E3M\_



OTM1600E3M\_



OTM2000...2500EM\_

### Motorized switch-disconnectors OTM, IEC

Including a handle for manual operation, bolt kit with nut and washers for all terminals, male connectors for control circuit and a handle and spare fuse storage clip.

Type codes for motor voltage 220...240V AC/DC, see table below.

IEC type with standard phase distance.

| Rated current<br>AC-22A ≤ 690 V<br>A | Number of<br>poles | Type           | Order code      | Weight/<br>unit<br>kg |
|--------------------------------------|--------------------|----------------|-----------------|-----------------------|
| 1000/1000                            | 2                  | OTM1000E2M230V | 1SCA121396R1001 | 32.4                  |
| 1000/1000                            | 3                  | OTM1000E3M230C | 1SCA115364R1001 | 37.0                  |
| 1000/1000                            | 4                  | OTM1000E4M230C | 1SCA115368R1001 | 42.0                  |
| 1250/1250                            | 2                  | OTM1250E2M230V | 1SCA121193R1001 | 32.4                  |
| 1250/1250                            | 3                  | OTM1250E3M230C | 1SCA115365R1001 | 37.0                  |
| 1250/1250                            | 4                  | OTM1250E4M230C | 1SCA115367R1001 | 42.0                  |
| 1600/1250                            | 3                  | OTM1600E3M230C | 1SCA115366R1001 | 39.0                  |
| 1600/1250                            | 4                  | OTM1600E4M230C | 1SCA115369R1001 | 44.0                  |
| 2000 <sup>1)</sup> /-                | 2                  | OTM2000E2M230V | 1SCA121201R1001 | 32.4                  |
| 2000 <sup>1)</sup> /-                | 3                  | OTM2000E3M230C | 1SCA115372R1001 | 47.0                  |
| 2000 <sup>1)</sup> /-                | 4                  | OTM2000E4M230C | 1SCA115374R1001 | 55.0                  |
| 2500 <sup>1)</sup> /-                | 2                  | OTM2500E2M230V | 1SCA121195R1001 | 32.4                  |
| 2500 <sup>1)</sup> /-                | 3                  | OTM2500E3M230C | 1SCA115373R1001 | 47.0                  |
| 2500 <sup>1)</sup> /-                | 4                  | OTM2500E4M230C | 1SCA115375R1001 | 55.0                  |
| 3800/-                               | 3                  | OTM3200E3M230C | 1SCA129196R1001 | 47.0                  |
| 3800/-                               | 4                  | OTM3200E4M230C | 1SCA129198R1001 | 55.0                  |
| 4000/-                               | 3                  | OTM4000E3M230C | 1SCA129195R1001 | 51.0                  |
| 4000/-                               | 4                  | OTM4000E4M230C | 1SCA129197R1001 | 61.0                  |

<sup>1)</sup> Category B, infrequent operation  
2 pole versions, motor voltage U<sub>e</sub> 220...240 V AC/DC

### Handle and bolt kits included as standard

| Suitable for switch disconnectors | Handle+shaft kit | Bolt kit |
|-----------------------------------|------------------|----------|
| OTM1000...1250                    | OTV1000EMK       | M12X50   |
| OTM1600...2500                    | OTV1000EMK       | M12X60   |

## Motorized switch-disconnectors, IEC

### Ordering information



OTM160...250E3WM\_



OTM160...250E4WM\_

### Motorized switch-disconnectors OTM with wide phase distance, IEC

Including a handle for manual operation, bolt kit with nut and washers for all terminals, male connectors for control circuit and a handle and spare fuse storage clip.

Type codes for motor voltage  $U_e = 220...240$  V AC/DC, see table below.

| Rated current<br>AC-22A $\leq$ 690 V<br>A | Number of<br>poles | Type             | Order code      | Weight/<br>unit |
|---|--------------------|------------------|-----------------|-----------------|
|   |                    |                  |                 | kg              |
| 160/160                                   | 3                  | OTM160E3WM230C   | 1SCA115286R1001 | 4.7             |
| 160/160                                   | 4                  | OTM160E4WM230C   | 1SCA115295R1001 | 5.1             |
| 200/200                                   | 2                  | OTM200E2WM230V   | 1SCA121187R1001 | 4.3             |
| 200/200                                   | 3                  | OTM200E3WM230C   | 1SCA115288R1001 | 4.7             |
| 200/200                                   | 4                  | OTM200E4WM230C   | 1SCA115296R1001 | 5.1             |
| 250/250                                   | 2                  | OTM250E2WM230V   | 1SCA121188R1001 | 4.3             |
| 250/250                                   | 3                  | OTM250E3WM230C   | 1SCA115289R1001 | 4.7             |
| 250/250                                   | 4                  | OTM250E4WM230C   | 1SCA115297R1001 | 5.1             |
| 4000/-                                    | 3                  | OTM4000E3W8M230C | 1SCA129218R1001 | 51.5            |
| 4000/-                                    | 4                  | OTM4000E3W8M230C | 1SCA129218R1001 | 51.5            |

2 pole versions, motor voltage  $U_e 220...240$  V AC/DC

### Handle and bolt kits included as standard

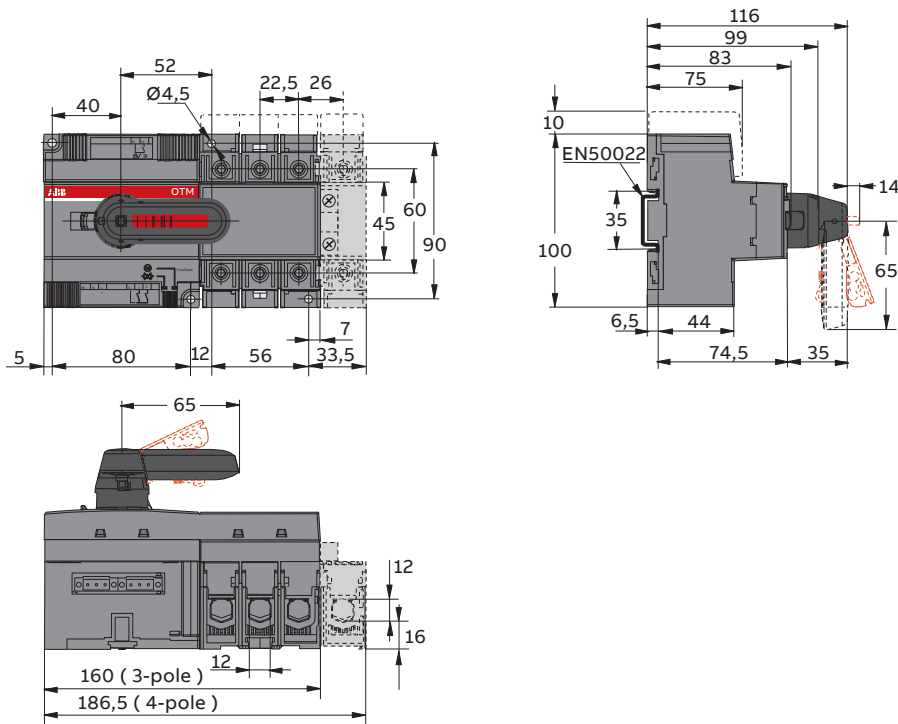
| Suitable for switch disconnectors | Handle+shaft kit | Bolt kit |
|-----------------------------------|------------------|----------|
| OTM160...250                      | OTV250EMK        | M8x25    |

## Motorized switch-disconnectors

### Dimensional drawings

#### Motorized switch-disconnectors, base mounting, IEC

#### OTM40...125F\_M



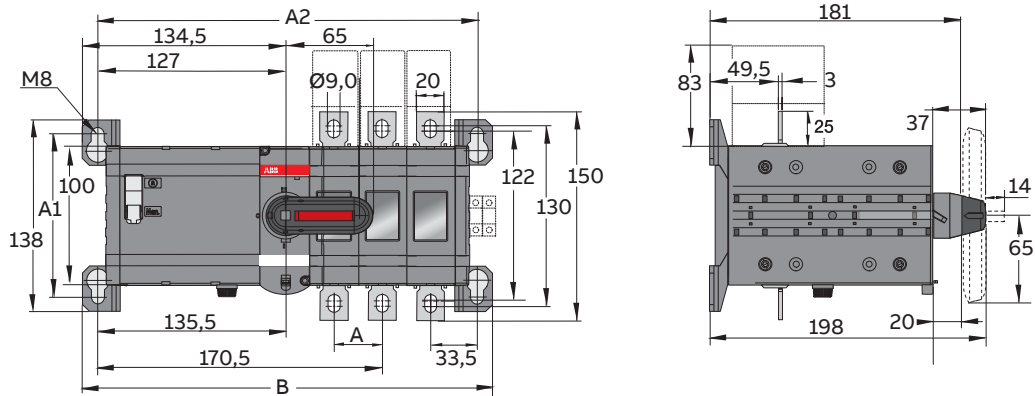
M00353/OTM30-125F\_M B

## Motorized switch-disconnectors

### Dimensional drawings

#### Motorized switch-disconnectors, base mounting, IEC

##### OTM160...250E\_M

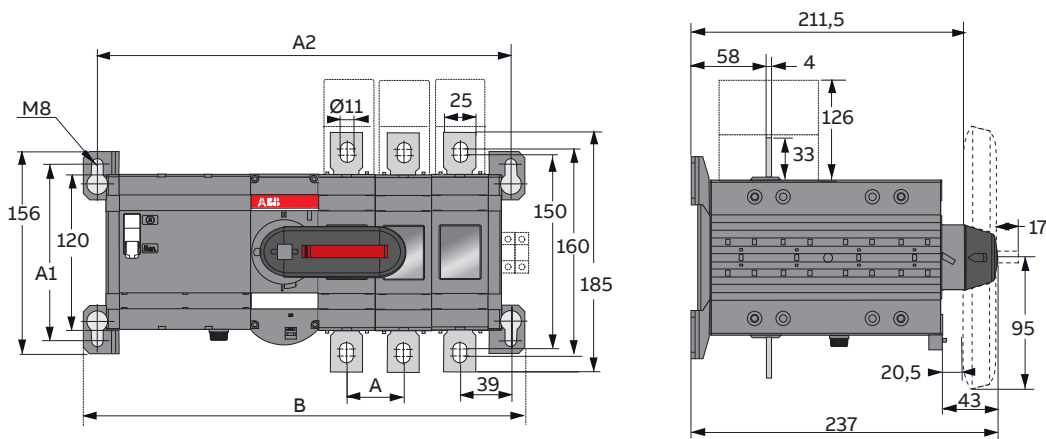


##### OTM160-250\_M

| [mm] | E2  | E3  | E4  |
|------|-----|-----|-----|
| A    | 35  | 35  | 35  |
| A1   | 118 | 118 | 118 |
| A2   | 239 | 274 | 309 |
| B    | 261 | 296 | 331 |

M00276/OTM160-250E2\_4 B

##### OTM315...400E\_M



##### OTM315-400\_M

| [mm] | E2  | E3  | E4  |
|------|-----|-----|-----|
| A    | 44  | 44  | 44  |
| A1   | 136 | 136 | 136 |
| A2   | 276 | 320 | 364 |
| B    | 298 | 342 | 386 |

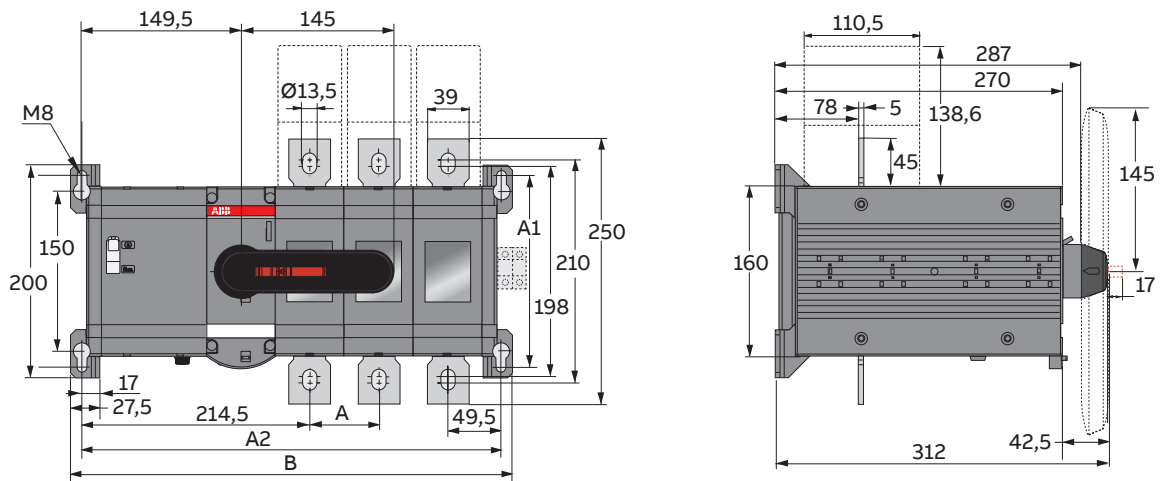
M00278/OTM315-400E2\_4 B

## Motorized switch-disconnectors

### Dimensional drawings

#### Motorized switch-disconnectors, base mounting, IEC

##### OTM630...800E\_M

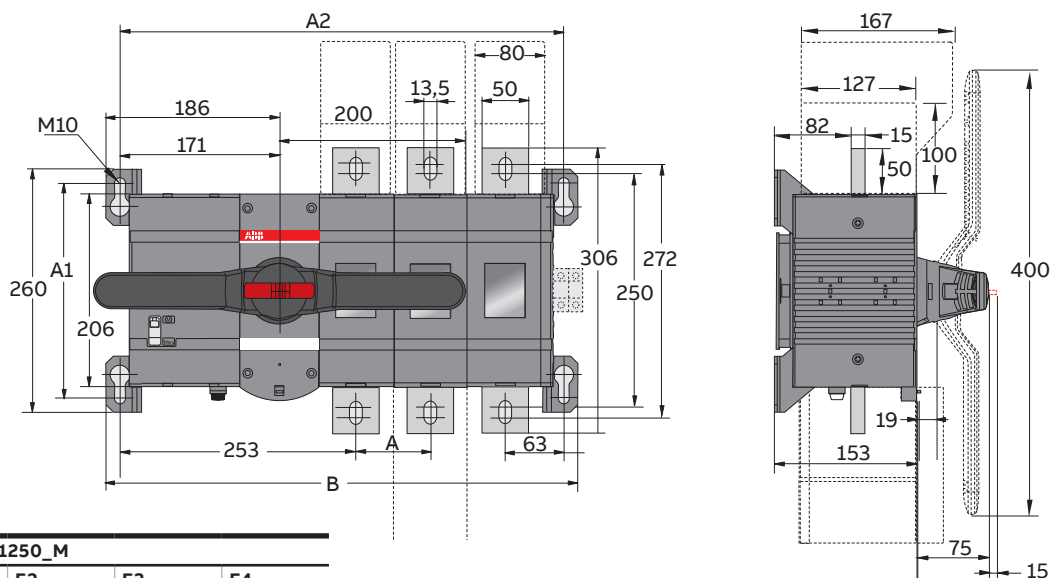


##### OTM630-800E\_M

| [mm] | E2  | E3  | E4  |
|------|-----|-----|-----|
| A    | 65  | 65  | 65  |
| A1   | 180 | 180 | 180 |
| A2   | 329 | 394 | 459 |
| B    | 350 | 415 | 480 |

M00281/OTM630-800E\_4 B

##### OTM1000...1250E\_M



##### OTM1000-1250\_M

| [mm] | E2    | E3    | E4    |
|------|-------|-------|-------|
| A    | 80    | 80    | 80    |
| A1   | 230   | 230   | 230   |
| A2   | 396,5 | 476,5 | 556,5 |
| B    | 426,5 | 506,5 | 586,5 |

M00282/OTM1000-1250E\_M B

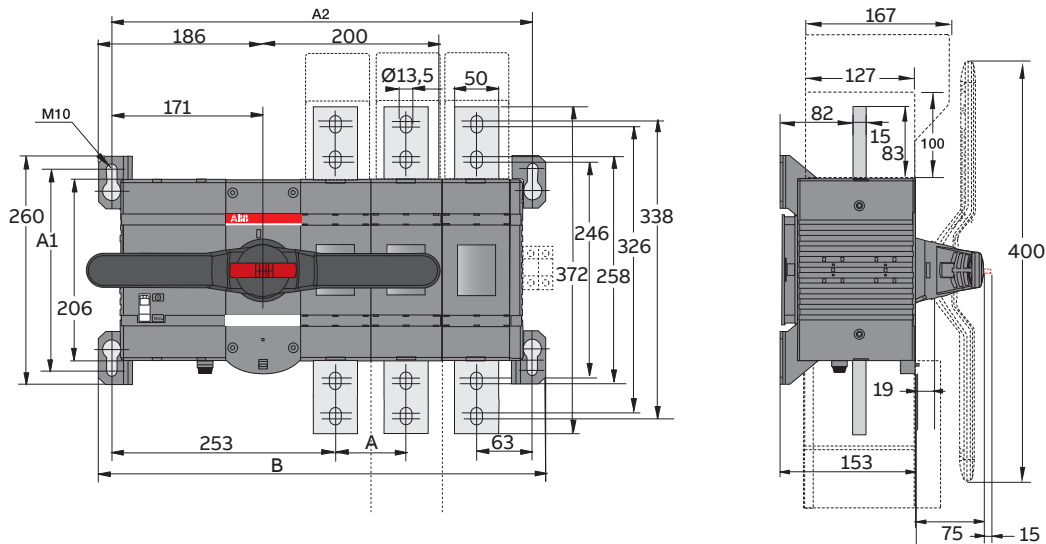


## Motorized switch-disconnectors

### Dimensional drawings

#### Motorized switch-disconnectors, base mounting, IEC

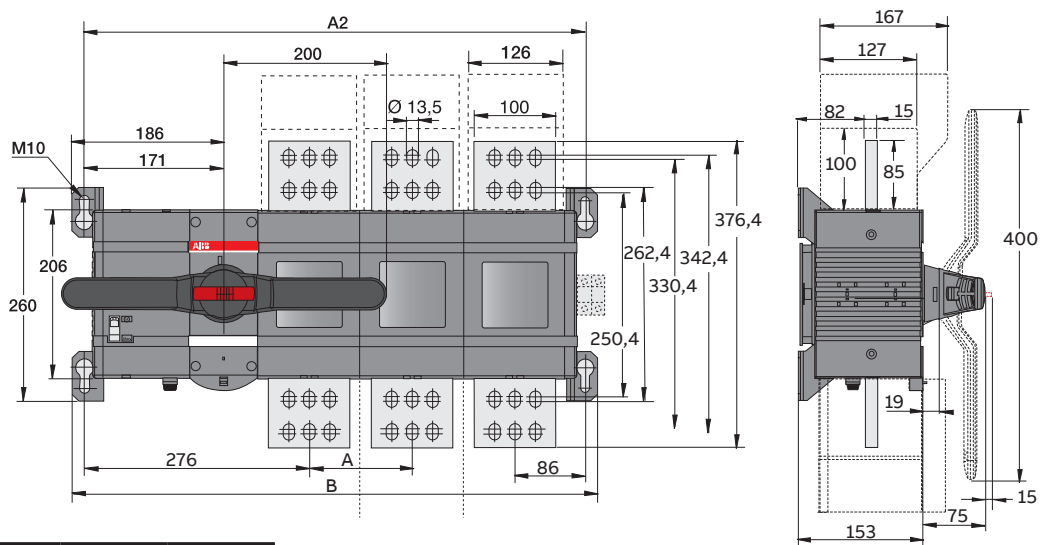
##### OTM1600E\_M



| OTM1600E_M |       |       |       |
|------------|-------|-------|-------|
| [mm]       | E2    | E3    | E4    |
| A          | 80    | 80    | 80    |
| A1         | 230   | 230   | 230   |
| A2         | 396,5 | 476,5 | 556,5 |
| B          | 426,5 | 506,5 | 586,5 |

M00283/OTM1600E\_M B

##### OTM2000...2500E\_M



| OTM2000-2500_M |       |       |       |
|----------------|-------|-------|-------|
| [mm]           | E2    | E3    | E4    |
| A              | 126   | 126   | 126   |
| A1             | 230   | 230   | 230   |
| A2             | 488,5 | 614,5 | 740,5 |
| B              | 518,5 | 644,5 | 770,5 |

M00285/O TM2000\_2500E\_M B

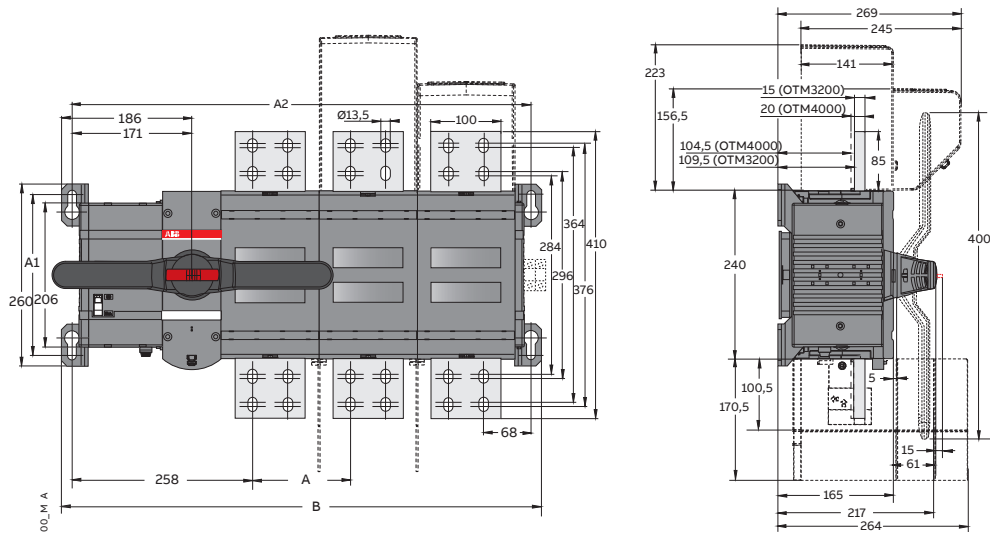
Main dimensions mm, inches

## Motorized switch-disconnectors

### Dimensional drawings

#### Motorized switch-disconnectors, base mounting, IEC

#### OTM3200...4000\_M



#### OTM3200-4000-M

| [mm] | E3    | E4    |
|------|-------|-------|
| A    | 140   | 140   |
| A1   | 230   | 230   |
| A2   | 656.5 | 796.5 |
| B    | 686.5 | 826.5 |

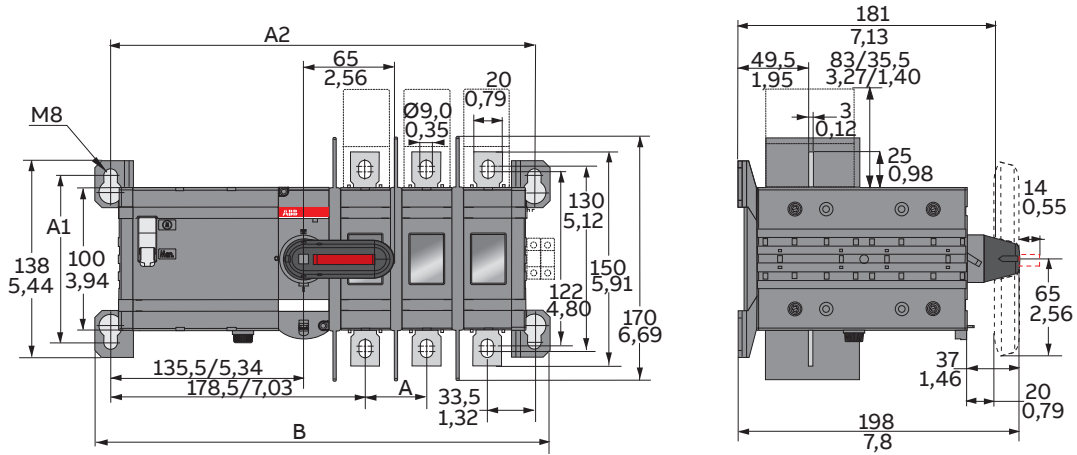
M00433/OTM3200-4000\_M A

# Motorized switch-disconnectors

## Dimensional drawings

Motorized switch-disconnectors with wide phase distance, base mounting, IEC

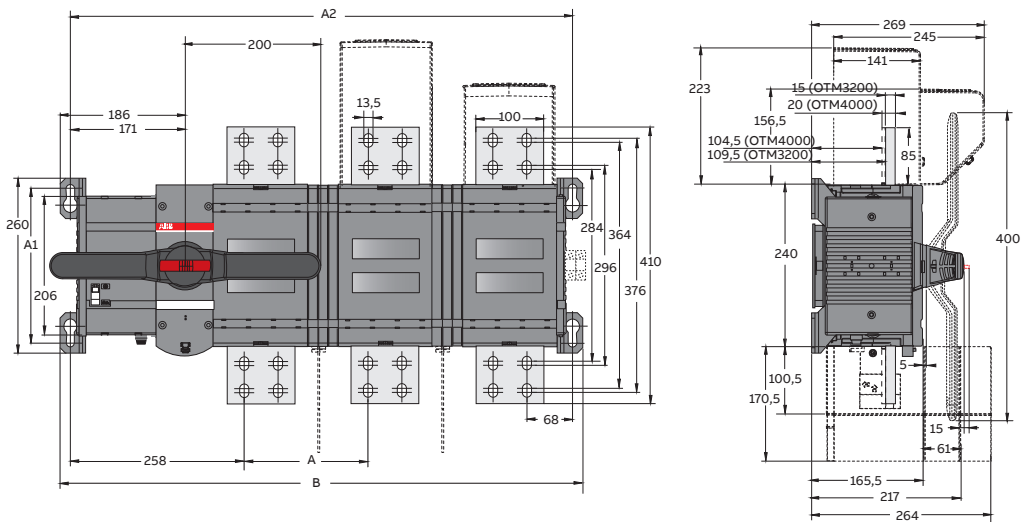
### OTM160...250E\_WM



| OTM160-250_WM |           |           |           |
|---------------|-----------|-----------|-----------|
| [mm]          | E2W       | E3W       | E4W       |
| A             | 43/1,69   | 43/1,69   | 43/1,69   |
| A1            | 118/4,65  | 118/4,65  | 118/4,65  |
| A2            | 255/10,05 | 298/11,74 | 341/13,43 |
| B             | 277/10,91 | 320/12,61 | 363/14,3  |

M07014/OTM160...250E\_WM2\_4 A

### OTM\_3200...4000\_W8M



| OTM3200-4000_W8M |       |       |
|------------------|-------|-------|
| [mm]             | E3    | E4    |
| A                | 185   | 185   |
| A1               | 230   | 230   |
| A2               | 746.5 | 931.5 |
| B                | 776.5 | 961.5 |

M00434/OTM3200-4000\_W8M A

## Accessories for motorized switch-disconnectors

### Ordering information for handle accessories



OTV250EMK



OTV1000EMK



OTVS2

#### Direct mount handles

Includes a shaft and a mechanism cover. Indication OFF-ON / O-I. Padlockable with three padlocks in OFF-position. Includes also microswitch.

| Suitable for switches | Colour | Handle length | Type       | Order number    | Weight/ type |
|-----------------------|--------|---------------|------------|-----------------|--------------|
|                       |        | mm            |            |                 | kg           |
| OTM160...250          | Black  | 65            | OTV250EMK  | 1SCA104736R1001 | 0.09         |
| OTM315...400          | Black  | 95            | OTV400EMK  | 1SCA104737R1001 | 0.21         |
| OTM630...800          | Black  | 145           | OTV800EMK  | 1SCA104738R1001 | 0.27         |
| OTM1000...2500        | Black  | 2x200         | OTV1000EMK | 1SCA111300R1001 | 0.68         |

#### Handle and spare fuse storage clip for motorized switches OTM\_

OTM40...125, the handle can be stored in the handle storage clip OTVS0. The clip can be fixed to a panel frame using the included adhesive tape. OTM160...4000, the handle and two spare fuses can be stored in the OTVS1 and OTVS2. OTVS1 and OTVS2 can be installed onto the left side of the motorized switch-disconnector OTM. Snap-on mounting, no tools required. On OTM1000...4000E\_, the size of the handle prevents the installation onto the switch frame. However, the handle clip can be installed separately onto the panel frame and the fuse holder clip onto the switch frame.

| Suitable for switches | Type  | Order code      | Weight/ type |
|-----------------------|-------|-----------------|--------------|
|                       |       |                 | kg           |
| OTM40...125F          | OTVS0 | 1SCA117524R1001 | 0.02         |
| OTM160...250E         | OTVS1 | 1SCA111413R1001 | 0.02         |
| OTM315...4000E        | OTVS2 | 1SCA111414R1001 | 0.04         |

## Accessories for motorized switch-disconnectors

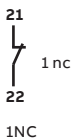
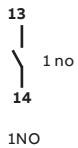
### Ordering information for auxiliary contacts



OA1G10, OA8G01, OA3G01



OA2G11



#### Auxiliary contacts for OTM40...4000, IP20

Contact numbering according to EN 50013. Types \_AU have gold plated contacts for harsh environments and low operating voltages. Auxiliary contacts are mountable on right side in types OTM40...4000 or under the mechanism cover in types OTM160...4000. Early break type auxiliary contacts means that in the switches, the NO aux.contacts break before the main contacts open.

In types with auxiliary contacts mountable under the mechanism cover, the “test” contacts operate in ON- and OFF-positions as well as when the handle is turned to TEST-position (45° over the OFF-position). The “test indication” contacts operate only when the handle is turned to TEST-position. The OA1G10 (N.O.) or OA3G01 (N.C.) auxiliary contact blocks can be used as standard auxiliary contacts, “test” or “test indication” contacts. The desired functions are achieved when an auxiliary contact block is installed in a specific place.

See next pages for performance data, functions and contact timing.

| Suitable for switches   | Function  | Type     | Order code      | Weight/unit<br>kg |
|---|---|----------|-----------------|-------------------|
| <b>Mounting on the right side OTM40...125</b>   |   |          |                 |                   |
| Maximum 2 auxiliary contact blocks, snap-on mounting  |   |          |                 |                   |
| OTM40...125   | 1NO, early break                                      | OA1G10   | 1SCA022353R4970 | 0.03              |
| OTM40...125   | 1NC, early make                                       | OA8G01   | 1SCA022744R2240 | 0.03              |
| OTM40...125   | 1NO, early break                                      | OA1G10AU | 1SCA022436R7910 | 0.03              |
| OTM40...125F3   | 1NO+1NC, simultaneous function with the main contacts | OA2G11   | 1SCA022379R8100 | 0.03              |
| <b>Mounting on the right side OTM160...4000:</b>  |   |          |                 |                   |
| Maximum 2+2 auxiliary contact blocks (N.O. or N.C.), snap-on mounting.                          |   |          |                 |                   |
| OTM160...4000   | 1NO, early break                                      | OA1G10   | 1SCA022353R4970 | 0.03              |
| OTM160...4000   | 1NC, early make                                       | OA3G01   | 1SCA022456R7410 | 0.03              |
| OTM160...4000   | 1NO, early break                                      | OA1G10AU | 1SCA022436R7910 | 0.03              |
| OTM160...4000   | 1NC, early make                                       | OA3G01AU | 1SCA022819R5260 | 0.03              |
| <b>Mounting under the mechanism cover OTM160...4000:</b>  |   |          |                 |                   |
| See next page for maximum number of contact blocks, “Aux./test” contacts and “test indication”. |   |          |                 |                   |
| OTM160...4000   | 1NO, early break                                      | OA1G10   | 1SCA022353R4970 | 0.03              |
| OTM160...4000   | 1NC, early make                                       | OA3G01   | 1SCA022456R7410 | 0.03              |
| OTM160...4000   | 1NO, early break                                      | OA1G10AU | 1SCA022436R7910 | 0.03              |
| OTM160...4000   | 1NC, early make                                       | OA3G01AU | 1SCA022819R5260 | 0.03              |

| Mounting under the mechanism cover, OTM160...4000: | Maximum number of contact blocks | Aux./Test contacts | Test indication contacts |
|--|----------------------------------|--------------------|--------------------------|
| OTM160...250                                       | 2                                | 2                  | -                        |
| OTM315...400                                       | 4                                | -                  | 2                        |
| OTM630...800                                       | 4                                | -                  | 2                        |
| OTM 1000...4000                                    | 6                                | 2 <sup>1)</sup>    | 4                        |

<sup>1)</sup> Early operation test contact

## Accessories for motorized switch-disconnectors

Technical data for auxiliary contacts

### Performance data of auxiliary contacts according to IEC 60947-5-1

For OA1G\_, OA2G\_, OA3G\_, OA8G\_

| AC15                   |                     | DC12                   |                     |        | DC13                |        |
|------------------------|---------------------|------------------------|---------------------|--------|---------------------|--------|
| U <sub>e</sub><br>V AC | I <sub>e</sub><br>A | U <sub>e</sub><br>V DC | I <sub>e</sub><br>A | P<br>W | I <sub>e</sub><br>A | P<br>W |
| 230                    | 6                   | 24                     | 10                  | 240    | 2                   | 50     |
| 400                    | 4                   | 72                     | 4                   | 290    | 0.8                 | 60     |
| 415                    | 4                   | 125                    | 2                   | 250    | 0.55                | 70     |
| 690                    | 2                   | 250                    | 0.55                | 140    | 0.27                | 70     |
|                        |                     | 440                    | 0.1                 | 44     |                     |        |

For OA1G\_, OA2G\_, OA3G\_, OA8G\_

|                  |  |
|------------------|--|
| U <sub>i</sub>   | 690 V  |
| U <sub>imp</sub> | 4 kV   |
| Pollution degree | 3  |
| I <sub>th</sub>  | 16 A   |
| Cable size       | 1...2 x 0.75...2.5 mm <sup>2</sup> , use pin-head terminals for other wire sizes |
| Maximum fuse     | 16 A / gG  |
| NEMA             | A600, R300, wire size: 18 - 14 AWG, 1(2)   |

## Accessories for motorized switch-disconnectors

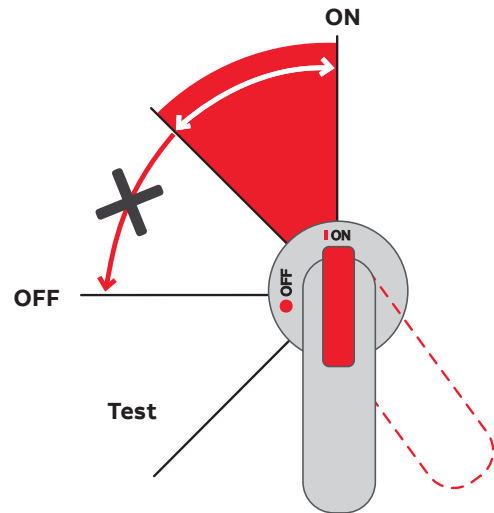
### Technical data for auxiliary contacts

Function table of OTM160...4000 auxiliary contacts

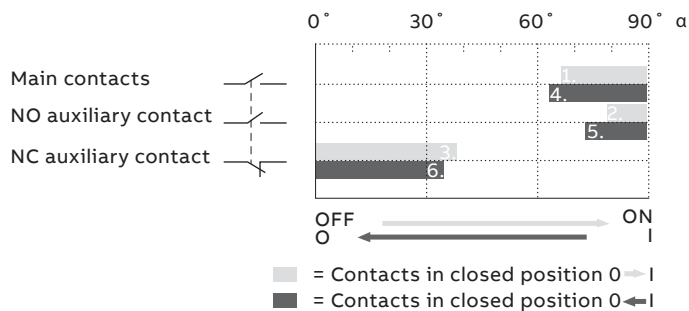
| Handle position | Main contacts | Aux./Test contacts N.O. | Test indication contacts N.O. |
|-----------------|---------------|-------------------------|-------------------------------|
| Test            | open          | closed                  | closed                        |
| 0               | open          | open                    | open                          |
| I               | closed        | closed                  | open                          |

#### Handle indications and functions

- The handle indicates the position of the main contacts of the switch with complete reliability in all situations. If the contacts are welded together, the handle does not reach the OFF-position but remains between ON and OFF, maintaining the door interlock and preventing padlocking.
- When operating the switch to the TEST-position with a test handle, the test auxiliary contacts change position. The main contacts remain open.



#### ON and OFF-functions of main and auxiliary contacts

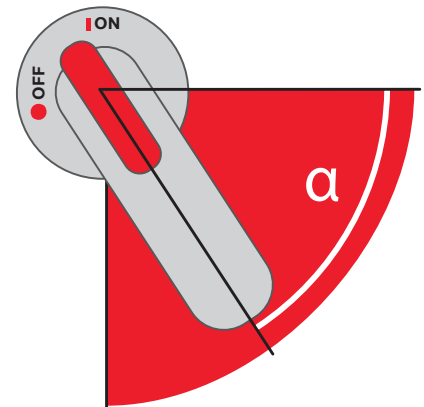


#### Closing:

- Main contacts close
- NO auxiliary contacts close
- NC auxiliary contacts open

#### Opening:

- Main contacts open
- NO auxiliary contacts open
- NC auxiliary contacts close



## Accessories for motorized switch-disconnectors

Ordering information for fourth poles, neutral and earth terminals



OTPS60FP

### Fourth poles, simultaneous function with the main contacts

Mountable on the side of the 3-pole switch without wide phase distances.

| Suitable for switches | Type      | Order code      | Weight/<br>unit |
|-----------------------|-----------|-----------------|-----------------|
|                       |           |                 | kg              |
| OTM40                 | OTPS60FP  | 1SCA111009R1001 | 0.14            |
| OTM63...125           | OTPS125FP | 1SCA105099R1001 | 0.30            |



OTPS125FD

### Fourth poles, late-break and early-make

Mountable on the side of the switch.

| Suitable for switches | Type      | Order code      | Weight/<br>unit |
|-----------------------|-----------|-----------------|-----------------|
|                       |           |                 | kg              |
| OTM40                 | OTPL60FP  | 1SCA111004R1001 | 0.14            |
| OTM63...125           | OTPL125FP | 1SCA105090R1001 | 0.30            |

\*) N1=On the left side of the switch  
N2=On the right side of the switch



OTPE125FP

### Fixed neutral

Mountable on the side of the switch.

| Suitable for switches | Type      | Order code      | Weight/<br>unit |
|-----------------------|-----------|-----------------|-----------------|
|                       |           |                 | kg              |
| OTM40                 | OTPN60FP  | 1SCA117606R1001 | 0.14            |
| OTM63...125           | OTPN125FP | 1SCA105090R1001 | 0.30            |



OXN250

OXN400

### Protective earth

Mountable on the side of the switch.

| Suitable for switches | Type      | Order code      | Weight/<br>unit |
|-----------------------|-----------|-----------------|-----------------|
|                       |           |                 | kg              |
| OTM40                 | OTPE60FP  | 1SCA111016R1001 | 0.14            |
| OTM63...125           | OTPE125FP | 1SCA105090R1001 | 0.30            |



OXN1250T

### Neutral links

Detachable, mountable separately to the base plate

| Suitable for switches | $I_{th}$ | Type     | Order code      | Weight/<br>unit |
|-----------------------|----------|----------|-----------------|-----------------|
|                       | A        |          |                 | kg              |
| OTM160...250          | 250      | OXN250   | 1SCA022752R9950 | 0.26            |
| OTM315...400          | 400      | OXN400   | 1SCA022770R3060 | 0.70            |
| OTM630...800          | 800      | OXN800T  | 1SCA022829R0840 | 0.96            |
| OTM1000...2500        | 1250     | OXN1250T | 1SCA104162R1001 | 2.20            |



## Accessories for motorized switch-disconnectors

### Ordering information for terminal shrouds



OTS125T3



OTS125T1



OTS400G1S



OTS800G1S



OTS1600G1L



OTS1600G1S



OTS2500G1L



OTS2500G1S



OTS4000G1S/3



OTS4000G1S/4

#### Terminal shrouds for OTM switches, snap-on mounting, transparent

| Suitable for switches        | Type     | Order code      | Weight/unit |
|------------------------------|----------|-----------------|-------------|
|                              |          |                 | kg          |
| OTM40...125, 3 pole          | OTS125T3 | 1SCA022379R9680 | 0.01        |
| OTM40...125, for fourth pole | OTS125T1 | 1SCA022379R9760 | 0.01        |

#### Terminal shrouds for OTM switches, snap-on mounting, grey

Pack of single pole shrouds, IP3X.

| Suitable for switches          | Description | Type         | Order code      | Units/<br>type | Weight/<br>unit |
|--------------------------------|-------------|--------------|-----------------|----------------|-----------------|
|                                |             |              |                 | pcs            | kg              |
| <b>For 3-pole OTM switches</b> |             |              |                 |                |                 |
| OTM160...250                   | Long type   | OTS250G1L/3  | 1SCA022731R8150 | 3              | 0.09            |
|                                | Short type  | OTS250G1S/3  | 1SCA022731R8310 | 3              | 0.06            |
| OTM315...400                   | Long type   | OTS400G1L/3  | 1SCA022736R8840 | 3              | 0.15            |
|                                | Short type  | OTS400G1S/3  | 1SCA022736R9060 | 3              | 0.09            |
| OTM630...800                   | Long type   | OTS800G1L/3  | 1SCA022776R7890 | 3              | 0.32            |
|                                | Short type  | OTS800G1S/3  | 1SCA022776R8190 | 3              | 0.17            |
| OTM1000...1600                 | Long type   | OTS1600G1L/3 | 1SCA022871R9510 | 3              | 0.60            |
|                                | Short type  | OTS1600G1S/3 | 1SCA022871R9600 | 3              | 0.40            |
| OTM2000...2500                 | Long type   | OTS2500G1L/3 | 1SCA107261R1001 | 3              | 1.00            |
|                                | Short type  | OTS2500G1S/3 | 1SCA107260R1001 | 3              | 0.50            |
| OTM3200...4000                 | Long type   | OTS4000G1L/3 | 1SCA129042R1001 | 3              | 1.0             |
|                                | Short type  | OTS4000G1S/3 | 1SCA129044R1001 | 3              | 1.2             |
| <b>For 4-pole OTM switches</b> |             |              |                 |                |                 |
| OTM160...250                   | Long type   | OTS250G1L/4  | 1SCA022731R8230 | 4              | 0.12            |
|                                | Short type  | OTS250G1S/4  | 1SCA022731R8400 | 4              | 0.08            |
| OTM315...400                   | Long type   | OTS400G1L/4  | 1SCA022736R9490 | 4              | 0.20            |
|                                | Short type  | OTS400G1S/4  | 1SCA022736R9650 | 4              | 0.12            |
| OTM630...800                   | Long type   | OTS800G1L/4  | 1SCA022776R7970 | 4              | 0.42            |
|                                | Short type  | OTS800G1S/4  | 1SCA022776R8270 | 4              | 0.26            |
| OTM1000...1600                 | Long type   | OTS1600G1L/4 | 1SCA022871R9780 | 4              | 0.80            |
|                                | Short type  | OTS1600G1S/4 | 1SCA022871R9860 | 4              | 0.50            |
| OTM2000...2500                 | Long type   | OTS2500G1L/4 | 1SCA107262R1001 | 4              | 1.30            |
|                                | Short type  | OTS2500G1S/4 | 1SCA107271R1001 | 4              | 0.70            |
| OTM3200...4000                 | Long type   | OTS4000G1L/4 | 1SCA129043R1001 | 4              | 1.4             |
|                                | Short type  | OTS4000G1S/4 | 1SCA129045R1001 | 4              | 1.6             |

## Accessories for motorized switch-disconnectors

### Ordering information terminal clamps



OZXT1



OZXT6

#### Terminal clamp sets for Al- and Cu-cables, insulated versions

| Suitable for switches | Cable cross section     | Type      | Order code      | Units/ | Weight/ |
|-----------------------|-------------------------|-----------|-----------------|--------|---------|
|                       | mm <sup>2</sup>         |           |                 | type   | unit    |
| OTM40...125           | 16...50 Al, 2.5...50 Cu | OZXT1 **) | 1SCA022469R6310 | 3 pcs  | 0.05 kg |
| OTM63...125           | 2x(16...50) Al/Cu       | OZXT3     | 1SCA022639R0720 | 3 pcs  | 0.21 kg |

Including 0.75...2.5 mm<sup>2</sup> voltage sensing connection. Voltage sensing wires are not included

|             |                        |       |                 |       |         |
|-------------|------------------------|-------|-----------------|-------|---------|
| OTM40...125 | 16...50 Al/2.5...50 Cu | OZXT6 | 1SCA122537R1001 | 3 pcs | 0.06 kg |
|-------------|------------------------|-------|-----------------|-------|---------|

\*\*\*) In=63 A



OZXB1L



OZXB2

#### Terminal clamp sets for Al- and Cu-cables

All terminal clamp deliveries include a 6 piece bolt set:

OZXE51 (M8x25), OZXE54 (M10x30) and OZXE3 (M12x40)



OZXB2L



OZXB3



OZXB4



OZXB7



OZXB8



OZXB9

| Suitable for switches | Cable cross section | Suitable shroud type | Terminal clamp type | Order code      | Units/ | Weight/ |
|-----------------------|---------------------|----------------------|---------------------|-----------------|--------|---------|
|                       | mm <sup>2</sup>     |                      |                     |                 | type   | unit    |
| OTM40...125           | 10...70             |                      | OZXL1               | 1SCA022439R6770 | 3 pcs  | 0.14 kg |
|                       | 10...70             |                      | OZXL1/1             | 1SCA022469R6220 | 1 pcs  | 0.05 kg |

#### OZXB type Al/Cu connectors made of stainless steel

|                |               |          |          |                 |                 |         |         |
|----------------|---------------|----------|----------|-----------------|-----------------|---------|---------|
| OTM160EV...250 | 10...70       | OTS250_L | OZXB1L   | 1SCA022169R2030 | 3 pcs           | 0.15 kg |         |
|                | 10...70       | OTS250_L | OZXB1L/1 | 1SCA022194R0030 | 1 pcs           | 0.05 kg |         |
|                | 25...120      | OZXB2K   | OZXB2    | 1SCA022119R7610 | 3 pcs           | 0.34 kg |         |
|                | 25...120      | OZXB2K   | OZXB2/1  | 1SCA022194R0200 | 1 pcs           | 0.12 kg |         |
|                | 25...120      | OZXB2K   | OZXB2L   | 1SCA022158R7750 | 3 pcs           | 0.43 kg |         |
|                | 25...120      | OZXB2K   | OZXB2L/1 | 1SCA022194R0460 | 1 pcs           | 0.15 kg |         |
|                | 95...185      | OTS250_L | OZXB8    | 1SCA022744R1510 | 3 pcs           | 0.50 kg |         |
|                | 95...185      | OTS250_L | OZXB8/1  | 1SCA022744R1600 | 1 pcs           | 0.15 kg |         |
|                | 95...240      | OTS250_L | OZXB9    | 1SCA022750R3210 | 3 pcs           | 0.50 kg |         |
|                | 95...240      | OTS250_L | OZXB9/1  | 1SCA022750R3300 | 1 pcs           | 0.14 kg |         |
|                | OTM315...400  | 25...120 | OZXB2K   | OZXB2L          | 1SCA022158R7750 | 3 pcs   | 0.43 kg |
|                |               | 25...120 | OZXB2K   | OZXB2L/1        | 1SCA022194R0460 | 1 pcs   | 0.15 kg |
|                |               | 95...185 | OZXB3K   | OZXB3           | 1SCA022136R8100 | 3 pcs   | 1.28 kg |
|                |               | 95...185 | OZXB3K   | OZXB3/1         | 1SCA022194R0620 | 1 pcs   | 0.13 kg |
| 2x(95...185)   |               | OZXB3K   | OZXB4    | 1SCA022137R4760 | 3 pcs           | 1.71 kg |         |
| 2x(95...185)   |               | OZXB3K   | OZXB4/1  | 1SCA022194R0890 | 1 pcs           | 0.60 kg |         |
| 120...240      |               | OZXB5K   | OZXB7    | 1SCA022185R0040 | 3 pcs           | 1.00 kg |         |
| 120...240      |               | OZXB5K   | OZXB7/1  | 1SCA022194R1430 | 1 pcs           | 0.34 kg |         |
| 120...240      |               | OZXB5K   | OZXB7L   | 1SCA022185R7130 | 3 pcs           | 1.20 kg |         |
| 120...240      |               | OZXB5K   | OZXB7L/1 | 1SCA022194R1600 | 1 pcs           | 0.39 kg |         |
| 95...185       |               | OTS400_L | OZXB8    | 1SCA022744R1510 | 3 pcs           | 0.50 kg |         |
| 95...185       |               | OTS400_L | OZXB8/1  | 1SCA022744R1600 | 1 pcs           | 0.15 kg |         |
| 95...240       |               | OTS400_L | OZXB9    | 1SCA022750R3210 | 3 pcs           | 0.50 kg |         |
| 95...240       |               | OTS400_L | OZXB9/1  | 1SCA022750R3300 | 1 pcs           | 0.14 kg |         |
| OTM630...800   | 120...300     | OZXB4K   | OZXB5    | 1SCA022137R2470 | 3 pcs           | 2.22 kg |         |
|                | 120...300     | OZXB4K   | OZXB5/1  | 1SCA022194R1010 | 1 pcs           | 0.80 kg |         |
|                | 2x(120...300) | OZXB4K   | OZXB6    | 1SCA022137R4920 | 3 pcs           | 3.03 kg |         |
|                | 2x(120...300) | OZXB4K   | OZXB6/1  | 1SCA022194R1270 | 1 pcs           | 1.00 kg |         |

## Accessories for motorized switch-disconnectors

Ordering information for terminal clamps

### Terminal clamp sets for Al- and Cu-cables

| Suitable for switches                                     | Cable cross section | Suitable shroud type | Terminal clamp type | Order code      | Units/ type | Weight/ unit |
|---|---------------------|----------------------|---------------------|-----------------|-------------|--------------|
|   | mm <sup>2</sup>     |                      |                     |                 | pcs         | kg           |
| <b>OZXB type Al/Cu connectors made of stainless steel</b> |                     |                      |                     |                 |             |              |
| OTM1000...1600  | 95...185            | OTS1600_L            | OZXB3               | 1SCA022136R8100 | 3           | 1.28         |
|   | 95...185            | OTS1600_L            | OZXB3/1             | 1SCA022194R0620 | 1           | 0.13         |
|   | 2x(95...185)        | OTS1600_L            | OZXB4               | 1SCA022137R4760 | 3           | 1.71         |
|   | 2x(95...185)        | OTS1600_L            | OZXB4/1             | 1SCA022194R0890 | 1           | 0.60         |
|   | 120...300           | OTS1600_L            | OZXB5               | 1SCA022137R2470 | 3           | 2.22         |
|   | 120...300           | OTS1600_L            | OZXB5/1             | 1SCA022194R1010 | 1           | 0.80         |
|   | 2x(120...300)       | OTS1600_L            | OZXB6               | 1SCA022137R4920 | 3           | 3.03         |
|   | 2x(120...300)       | OTS1600_L            | OZXB6/1             | 1SCA022194R1270 | 1           | 1.00         |
|   | 120...240           | OTS1600_L            | OZXB7L              | 1SCA022185R7130 | 3           | 1.20         |
| OTM2000...2500  | 120...240           | OTS1600_L            | OZXB7L/1            | 1SCA022194R1600 | 1           | 0.39         |
|   | 95...185            | OTS2500_L            | OZXB3               | 1SCA022136R8100 | 3           | 1.28         |
|   | 95...185            | OTS2500_L            | OZXB3/1             | 1SCA022194R0620 | 1           | 0.13         |
|   | 2x(95...185)        | OTS2500_L            | OZXB4               | 1SCA022137R4760 | 3           | 1.71         |
|   | 2x(95...185)        | OTS2500_L            | OZXB4/1             | 1SCA022194R0890 | 1           | 0.60         |
|   | 120...300           | OTS2500_L            | OZXB5               | 1SCA022137R2470 | 3           | 2.22         |
|   | 120...300           | OTS2500_L            | OZXB5/1             | 1SCA022194R1010 | 1           | 0.80         |
|   | 2x(120...300)       | OTS2500_L            | OZXB6               | 1SCA022137R4920 | 3           | 3.03         |
|   | 2x(120...300)       | OTS2500_L            | OZXB6/1             | 1SCA022194R1270 | 1           | 1.00         |
| 120...240   | OTS2500_L           | OZXB7L               | 1SCA022185R7130     | 3               | 1.20        |              |
| 120...240   | OTS2500_L           | OZXB7L/1             | 1SCA022194R1600     | 1               | 0.39        |              |



OZXB3



OZXB4



OZXB5



OZXB6



OZXB7L



**Find out more**

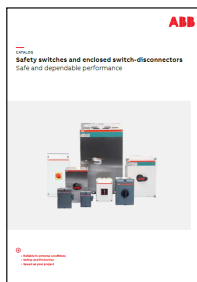
Webpage: Motor operated switch-disconnectors



Webpage: Manual operated switch-disconnectors

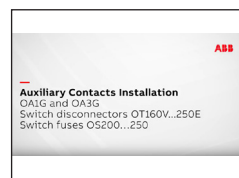


Catalog: Safety switches and enclosed switch-disconnectors



**Document ID: 1SCC340015C0201**

Video: Auxiliary contacts installation



Video: Installation of OEA28 – Module for auxiliary contacts





**ABB Oy**

**Smart Power**

P.O. Box 622

FI-65101 Vaasa, Finland

**You can find the address of your local sales organization  
on the ABB home page**



<https://new.abb.com/low-voltage>



<https://new.abb.com/low-voltage/products/connection-devices>

We reserve the right to make technical changes or modify the contents of this document without prior notice. ABB does not accept any responsibility whatsoever for potential errors or possible lack of information in this document.

We reserve all rights in this document and in the subject matter and illustrations contained therein. Any reproduction, disclosure to third parties or utilization of its contents – in whole or in parts – is forbidden without prior written consent of ABB.

Copyright© 2024 ABB - All rights reserved