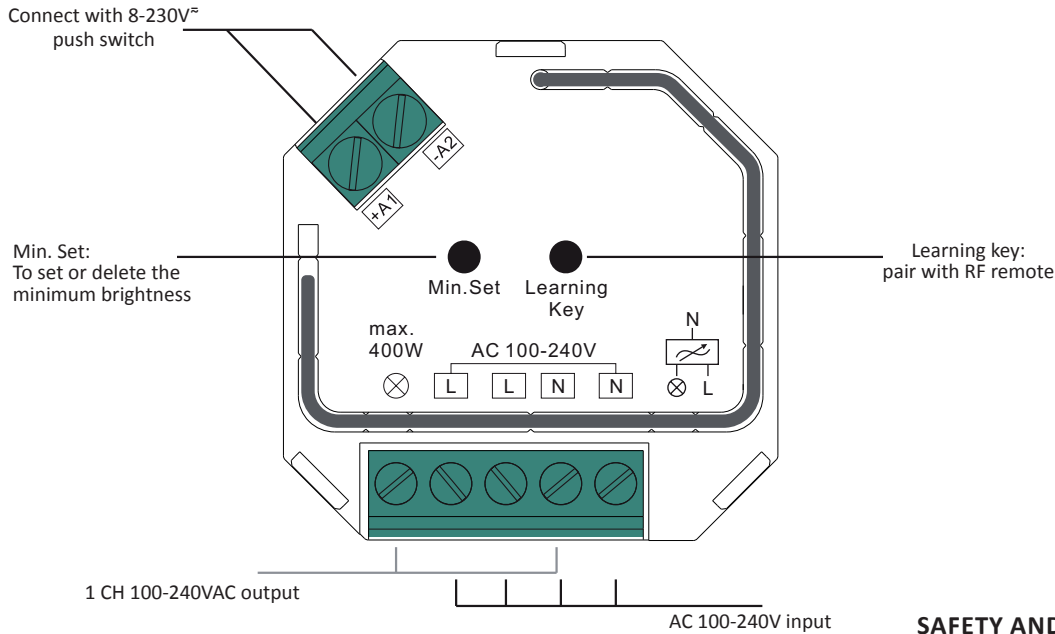


RADIM RF DIM

FUNCTION INTRODUCTION

IMPORTANT: Read all the instructions prior to installation



SAFETY AND WARNINGS

- DO NOT install with power applied to device.
- DO NOT expose the device to moisture.

PRODUCT DATA

Input Voltage	100-240VAC
Output Voltage	100-240VAC
Output Power	1x400W max
Measurements	45,5 x 45 x 20,3 mm

- Radio Frequency: 868/869.5/916.5/434mhz
- Protection class: IP20
- 100-240VAC Wide Input and Output Voltage
- 1 Channel Output, Up to 400W
- Input and Output with Screw Terminals, Safe and Reliable
- Triac Dimmable and Mosfet Dimmable
- Trailing edge dimming
- Innovative minimum brightness setting function
- Single Wire Push Switch Input for Push Dim Function
- Great Compatibility with Universal 8V-230V~ Input Push Switches
- Great compatibility with a variety of Perfect RF series single colour remote controls
- To dim and switch single colour dimmable LED lamps, traditional incandescent and halogen lights
- Mini Size
- Easy to be Installed into a standard 86 x 86 mm wall box

INSTALLATION

Do wiring according to connection diagram.

Pair RF Receiver with RF remote:

1. Connect and wire up the RF receiver correctly, power on.
 2. Turn on the remote.
 3. Click the "Learning" key button on receiver.
 - 4a. Immediately click a zone number to pair the receiver to the specified zone if the remote is a multi-zone controller
(if it is a single zone remote, this step is unnecessary)
 - 4b. Then touch the colour wheel or sidebar on the remote
(if the remote does not have colour wheel or sidebar, click or touch any keys)
- The connected led light on receiver flickers twice when successfully paired.

Note: one receiver can be paired with max 8 remote controls.

Delete the pairing:

1. Wire up the RF receiver correctly, power on.
2. Hold down the "Learning" key button on the receiver for 4 seconds until the connected LED light on receiver flickers twice, which means it is deleted.

Setting minimum brightness:

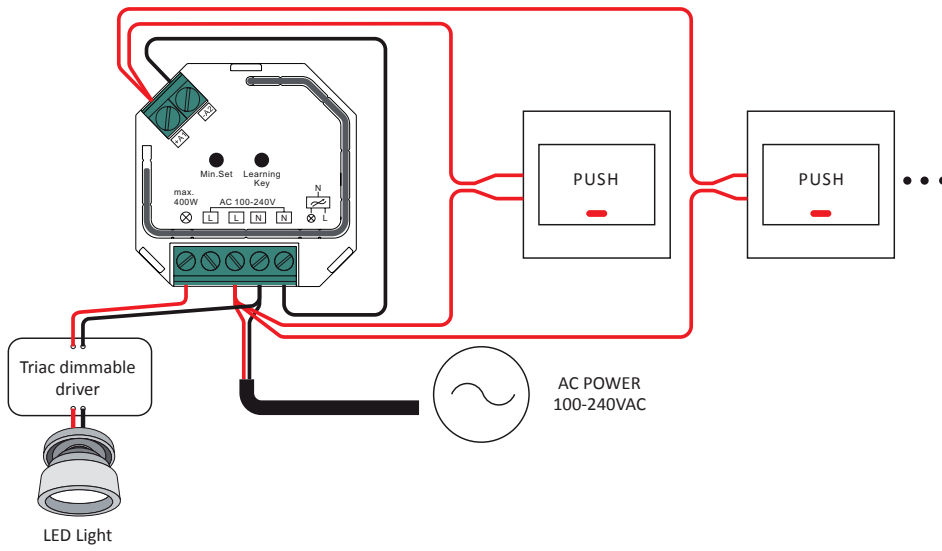
1. Adjust brightness to a level you would like, then click the "Min.Set" key.
2. Once set a minimum brightness, the light can only be dimmable between this minimum brightness and maximum brightness.

Delete the minimum brightness:

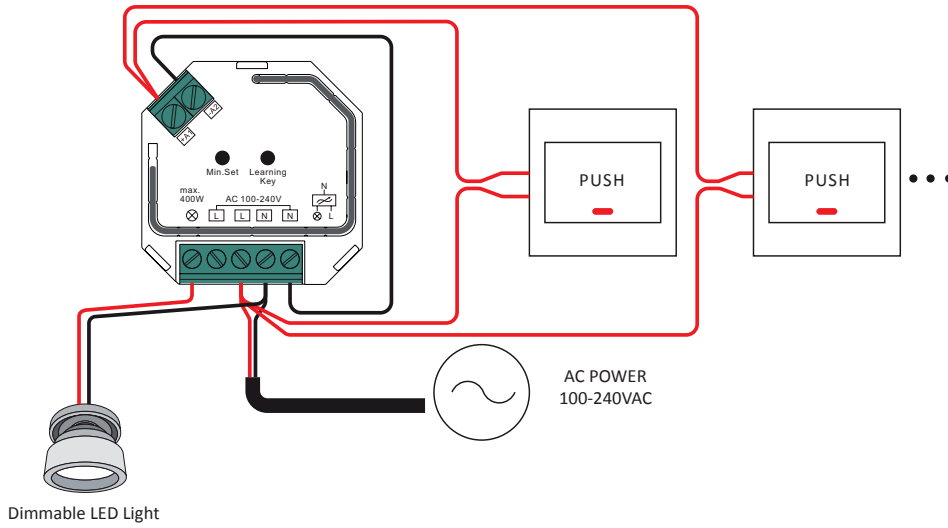
Adjust the brightness to maximum level, then hold the "Min.Set" key for 4 seconds to delete the minimum brightness.

WIRING DIAGRAM

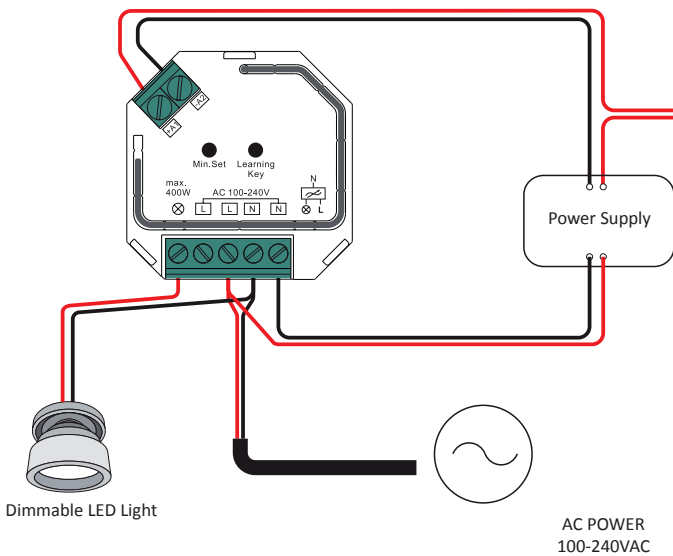
1 WITH TRIAC DIMMABLE DRIVER



2 WITH DIMMABLE LED LIGHT

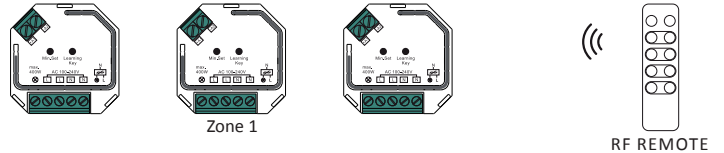


3 WITH PUSH LV



If you use multiple receivers, you have two choices:

Option 1: Have all the receivers in the same zone, like zone 1



Option 2: Have each receiver in a different zone, like zone 1, 2, 3 or 4

