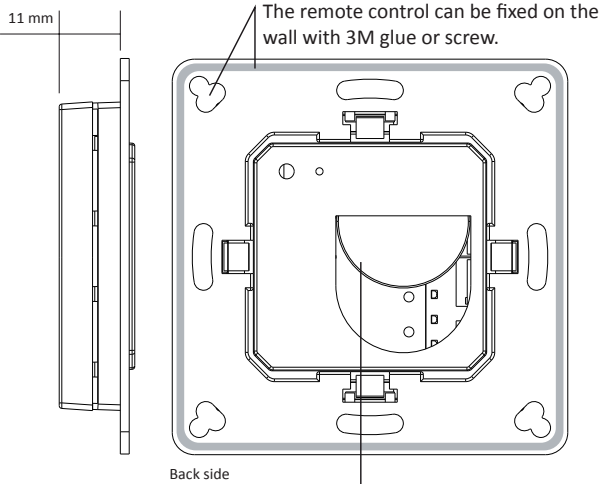


RADIM RF 2CH WALLSWITCH

100-240V 50/60Hz 3V [1xCR2430 battery] IP20

INTRODUCTION

IMPORTANT: Read all the instructions prior to installation



Back side

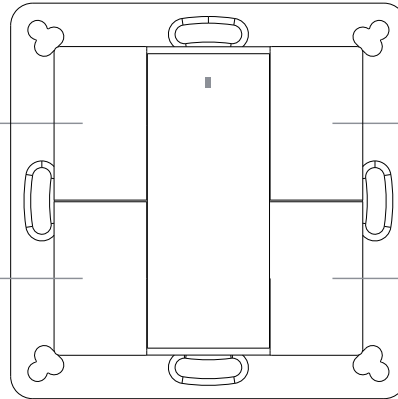
Battery: CR2430

Before the first use, please open the battery cover and remove the protective film.

Click to turn on.
 Press and hold down to
 increase light intensity.

Zone 1

Zone 2



Front side

Click to turn off.
 Press and hold down to
 increase light intensity.

Zone 1

Zone 2

SAFETY AND WARNINGS

- This device contains a button lithium battery that shall be stored and disposed properly.
- DO NOT expose the device to moisture.

PRODUCT DATA

Output	RF signal
Operation Frequency	868/869.5/434MHz
Power supply	3V (1xCR2430 battery)
Operating temperature	0-40°C
Relative humidity	8% to 80%
Measurements	71.2 x 71.2 x 13.6 mm

- Control 2 zones of RF receiver
- Single colour controller
- Compatible with all universal series RF receivers
- 1 receiver can be paired by max 8 different remote controls.
- Protection class: IP20

INSTALLATION

Pair with RF Receiver:

1. Click "Learning" key on RF receiver.
2. Click ON or OFF button on RF remote.
3. The LED lights connected with the receiver will flicker once when successfully paired.

Delete the pairing:

Hold down the "Learning" key button on the receiver for 4 seconds until the connected LED light on receiver flickers twice, indicating it is deleted.

The key part of this controller is a universal, extremely rotary standard switch element that can be integrated in numerous frames by different manufactures as below list:

BEKER	S1, B1, B3, B7 glass
GIRA	Standard 55, E2, Event, Esprit
JUNG	A500, Aplus
MERTEN	M-Smart, M-Arc, M-Plan