

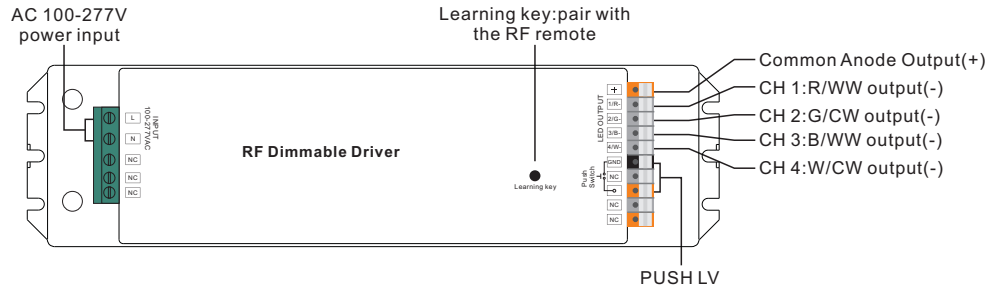
75W RF LED Driver(constant voltage)

09.10975.04710



Important: Read All Instructions Prior to Installation

Function introduction



Product Data

| | | |
|------------|---------------------------|--|
| Output | LED Channel | 4 |
| | DC Voltage | 24V DC |
| | Max. Current | Max. 3.12A/ch, ch1+ch2+ch3+ch4=3.12A |
| | Voltage Tolerance | ±1% |
| | Rated Power | max. 75W |
| Input | Voltage Range | 100-277V AC |
| | Frequency Range | 50/60Hz |
| | Power Factor (Typ.) | > 0.99 @ 100VAC, > 0.96 @ 230VAC |
| | Total Harmonic Distortion | THD ≤ 15% (@ full load / 230VAC) |
| | Efficiency (Typ.) | 86% @ 230VAC full load |
| | AC Current (Typ.) | 0.9A @ 100VAC, 0.39A @ 230VAC, 0.33A@277VAC |
| | Inrush Current (Typ.) | COLD START Max. 2A at 230VAC |
| | Leakage Current | < 0.5mA / 230VAC |
| Control | Standby Power Consumption | < 0.5W |
| | Dimming Interface | RF Wireless/PUSH LV |
| | Dimming Range | 0%-100% |
| Protection | Dimming Method | Pulse Width Modulation |
| | Over Current | Yes, recovers automatically after fault condition is removed |
| | Over Temperature | Yes, recovers automatically after fault condition is removed |

| | | |
|--------------|--------------------------|--|
| Environment | Working Temp. | -25°C ~ +45°C |
| | Max. Case Temp. | 80°C |
| | Working Humidity | 10% ~ 95% RH non-condensing |
| | Storage Temp. & Humidity | -40°C ~ +80°C, 10% ~ 95% RH |
| Safety & EMC | Safety Standards | UL8750, CAN/CSA C22.2 No. 250.13-14, ENEC EN61347-1, EN61347-2-13 approved |
| | Withstand Voltage | I/P-O/P: 3.75KVAC |
| | Isolation Resistance | I/P-O/P: 100M Ohms / 500VDC / 25°C / 70% RH |
| | EMC Emission | EN55015, EN61000-3-2, EN61000-3-3 |
| | EMC Immunity | EN61547, EN61000-4-2,3,4,5,6,8,11, surge immunity Line-Line 1KV |
| Others | MTBF | 193.6K hrs min. @ 230VAC full load and 25°C ambient temperature |
| | Dimension | 244*64*32mm (L*W*H) |

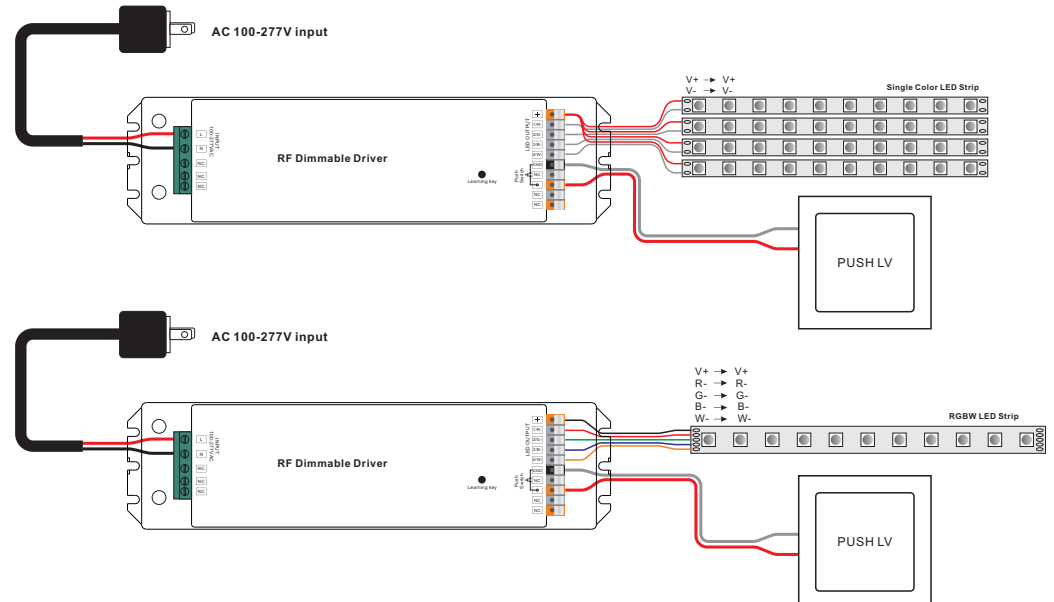
- Dimmable LED driver with RF control
- Max. output power 75W total
- 4 channels DC 24V constant voltage output
- Class II power supply, full isolated plastic case
- High power factor and efficiency
- To control single color, dual color, RGB/RGBW LED lighting

- Dimmable LED driver with RF control
- Max. output power 75W total
- 4 channels DC 24V constant voltage output
- Class II power supply, full isolated plastic case
- High power factor and efficiency

Safety & Warnings

- DO NOT install with power applied to device.
- DO NOT expose the device to moisture.

Wiring diagram



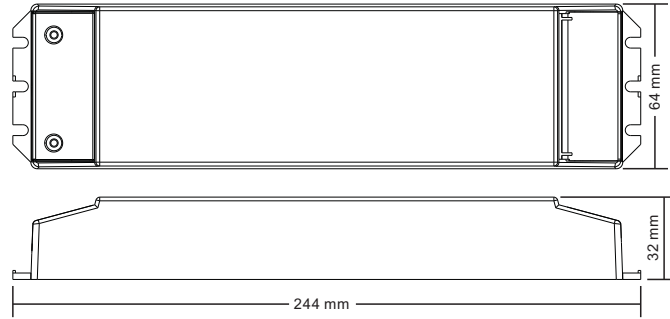
Pair/delete the pairing with RF remote

1. Do wiring according to connection diagram.
2. Pair RF Receiver with RF remote: please refer to the instruction of the remote that you would like to pair with.
3. Delete the pairing:
 - (1) Wire up the RF receiver correctly, power on.
 - (2) Press and hold down the “ **Learning Key**” button on receiver for over 3 seconds until the connected light flashes, which means well deleted.

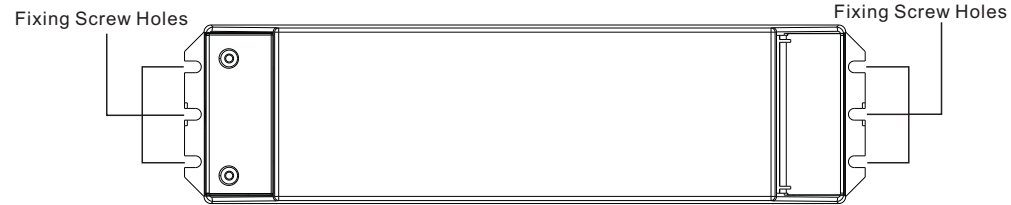
PUSH DIM:

While connected with PUSH LV, click the button to switch ON/OFF lights. Press and hold down the button to increase/decrease light intensity.

Product Dimension



Installation



Note: when mounting the driver, please choose any one of the three fixing screw holes to fix with a screw at each end.