

Features and Benefits

The SLT3 Tester is a rugged, lightweight product designed to verify the integrity of 1, 2, 3 and 4 pair UTP channels. Incorporating a unique 3-in-1 design, this tester features built-in modular jacks for USOC, 568A and 568B wiring sequences, thus eliminating the need to attach separate converters or adapters. Powered by a 9 volt battery, this compact hand-held tester is ideal for anyone who designs, installs, or tests cabling systems.

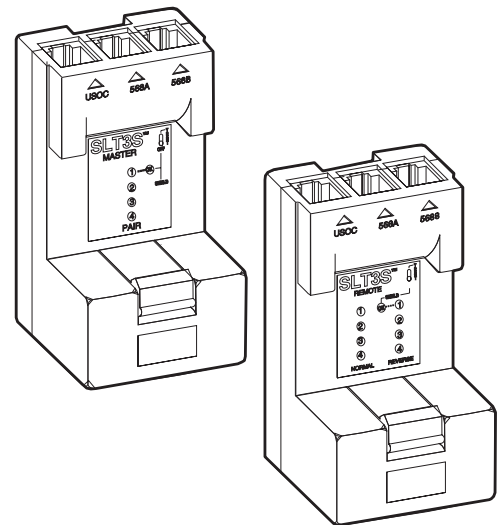
The master and remote units separate for end-to-end testing of installed cabling. Shorts, opens, reversals, or mis-wires are easily detected within seconds – the continuously-sequencing LED display immediately highlights any problems in the cabling system. Both pieces simply snap and lock together and a proximity switch disconnects the battery when not in use.

Designed to fit neatly into a tool box or pocket, the SLT3 tester has a convenient “ring” feature for attaching to a belt or frame. A durable nylon carry case is available as an optional accessory. Frame adapters are available for testing from the punch down block to the wall plate in one simple operation.

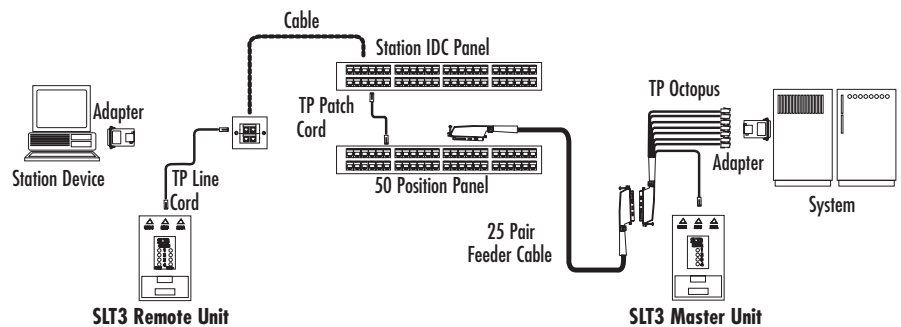
The Master and Remote units provide end-to-end testing of installed cabling. The SLT3 checks each channel from the Station Device to the System. In addition the SLT3 can test all line cords.

The SLT3 tester verifies or indicates wiring errors on 2, 3 and 4-pair UTP channels. The continually sequencing LED display provides instant indication of any shorts, opens, reversals, and mis-wires.

- Innovative 3-in-1 design features modular jacks for testing USOC, 568A and 568B cabling systems
- Accurately verifies the continuity and sequence of 1, 2, 3 and 4 pair UTP channels
- Continuously-sequencing LED display provides a diagnostic readout that immediately detects shorts, opens, reversals and mis-wires at a glance
- Simply snap and lock master and remote units together when not in use
- Ergonomically designed hand-held unit is lightweight, rugged, and impact-resistant
- 9 Volt alkaline battery included
- Carry case and accessories kit available
- Adapters are available for IBM cabling systems and AT&T 110 systems



SLT3S DIAGNOSTICS												
<table border="1"> <tr><td>SLT3S MASTER</td><td>SLT3S REMOTE</td></tr> <tr><td>1</td><td>1</td></tr> <tr><td>2</td><td>2</td></tr> <tr><td>3</td><td>3</td></tr> <tr><td>4</td><td>4</td></tr> </table>	SLT3S MASTER	SLT3S REMOTE	1	1	2	2	3	3	4	4		
SLT3S MASTER	SLT3S REMOTE											
1	1											
2	2											
3	3											
4	4											
Master	Remote	Diagnosis										
LED on	LED on	Good channel										
LED on	LED on red	Reversal										
LED on	LED off	Short within pair										
2 LEDs on	2 LEDs on	Short between pairs										
LED off	LED off	Open										
LED out of sequence	LED out of sequence	Transposed pairs										
STP Testing Only												
Master	Remote											
GREEN 1 and OK LED's ON		GREEN OK LED ON										



ORDERING INFORMATION

Order No.	Description
33-100	SLT3 UTP Tester (Master and Slave Units) with 9 Volt battery
33.B0020	SLT3 UTP Tester with Carry Case
33A-100-10	SLT3S FTP Tester (Master and Slave Units) with 9 Volt battery

This information is correct as at the time of publication, specifications are subject to change

Corporate Headquarters
Tel: 630 969 4550
www.molexpn.com

European Headquarters
Tel: 44 (0) 1489 572111
www.molexpn.co.uk

Pacific Rim Headquarters
Tel: 61 3 9971 7111
www.molexpn.com.au