

HT

Hybrid terminal

The hybrid terminal provides a wall, aerial or pedestal mountable environmental and mechanical protection for the copper and fiber optic system that includes the functions of splicing and passive component integration.

The hybrid terminal has the following features.

- Sealing (IP) rate can be optimized depending on the application.
Basic: IP43 for splice-only applications
- Up to 8 x 10 copper connector pairs
- Up to 48 FO splices; compatible with traditional splice protectors and RECORDsplice
- Cable entry section can be optimized for different cable diameters and quantities
- Basket to initially store fiber tubes for future use
- Splicing tray with double storage area to allow transient free customer connection (TFCC)

Ordering information

HT - S - X - XX - XX

Profile

S Standard profile

Type of cable entry

A IP43 with: 24 x ø 10 mm
2 x ø 20 mm
4 x ø 5 mm

Number of fiber optic splicing trays

0 (hybrid)
2 (hybrid)
6 (fiber only)

Type of tray

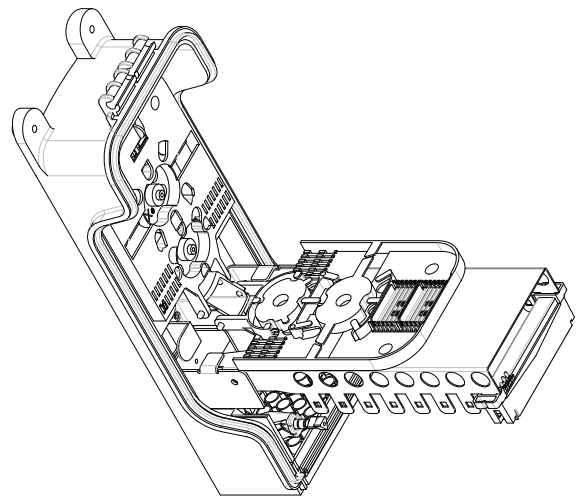
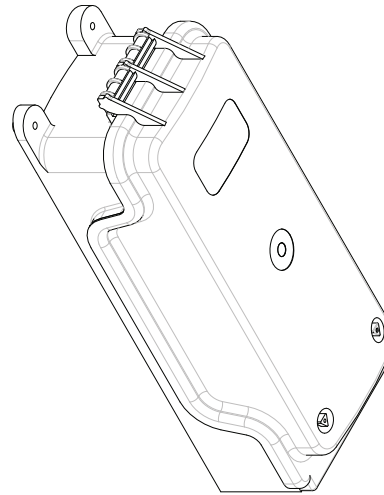
S Splicing tray (double island)
to hold up to 24 SMOUVs
R Splicing tray (double island)
to hold up to 24 RECORDsplices
A Splicing tray (double island)
to hold up to 24 ANTs
N No trays

Number of Cu connection blocks

0 ... 8

Type of Cu connection blocks/holders

A UCS
B C5C
N No Cu connector holder pre-installed
(mandatory for fiber only)



Dimensions (in mm)

150W x 390H x 110D

Accessories

HT-TRAY-2-S: set of two splicing trays with SMOUV splice holders
HT-TRAY-2-R: set of two splicing trays with RECORDsplice splice holders
HT-TRAY-2-A: set of two splicing trays with ANT splice holders
MDG-EP-IDTB-KEY10: key to open and close the box (10 pcs)
HT-LTC-KIT-100: loose tube clicker (100 pcs)
HT-MOUNT-KIT-01: Mounting kit for pedestal

SMOUV, RECORDsplice, TE (logo) and TE Connectivity are trademarks of the TE Connectivity group of companies and its licensors.

The information given herein, including drawings, illustrations and schematics which are intended for illustration purposes only, is believed to be reliable. However, TE Connectivity makes no warranties as to its accuracy or completeness and disclaims any liability in connection with its use. TE Connectivity's obligations shall only be as set forth in TE Connectivity's Standard Terms and Conditions of Sale for this product and in no case will TE Connectivity be liable for any incidental, indirect or consequential damages arising out of the sale, resale, use or misuse of the product. Users of TE Connectivity products should make their own evaluation to determine the suitability of each such product for the specific application.

Tyco Electronics Raychem bvba
Diestsesteenweg 692
3010 Kessel-Lo, Belgium
Tel 32-16 351 011 (USA)1-919-557-8900
Fax 32-16 351 697 (USA)1-919-557-8498
www.te.com
www.telecomnetworks.com
TC 1034/DS/3 11/09

