

DIN Rail Adaptor

Description

CommScope's DIN rail adaptor enables the easy installation of a structured cabling system inside industrial cabinets. The mounting adaptor is fully compatible with the AMP-TWIST and SL Series Jack family. The built-in grounding spring and ease of installation provide an ideal solution for industrial environments.

Applications

DIN rail mountings inside industrial cabinets

Materials

- DIN Rail Adapter Kit – grey PA 30% glass filled

Standards and Specifications

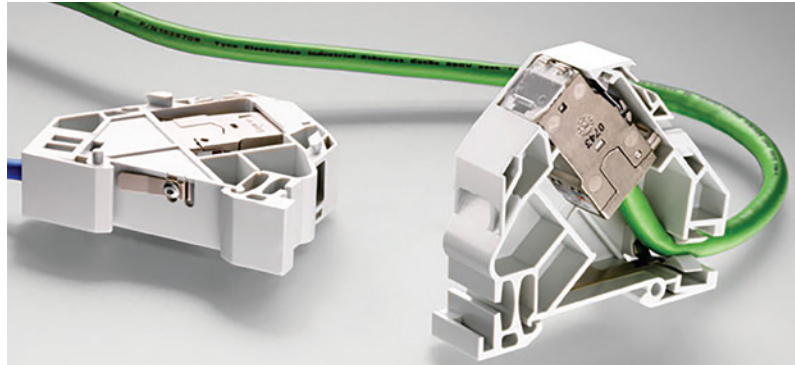
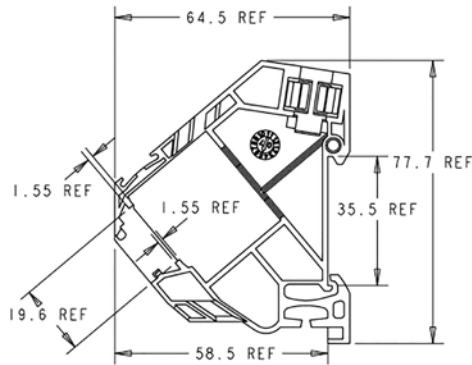
- Instruction Sheet – 114-93017

Key Features

- Ease of installation
- Mount on DIN rail TH35
- Can be stacked sideways
- Width according to DIN 43880
- Built-in grounding spring
- IP20 protection
- Label area provided
- End cover set for additional protection
- Compatible with AMP-TWIST and SL Series jack family

DIN Rail Adaptor

Product Dimensions



Product Offerings

- PN 1711897-1 – DIN Rail Adaptor
- PN 1711658-2 – DIN Rail Adaptor Covers (left and right)

Compatibility

Product Description	CommScope PN
SL Series 110 Connect, Cat. 5e, RJ45 Jack	1375191-X
SL Series 110 Connect, Cat. 5e, RJ45 Jack, with dust cover	1375190-X
SL Series 110 Connect, Cat. 6, RJ45 Jack	1375055-X
SL Series 110 Connect, Cat. 6, RJ45 Jack, with dust cover	1375187-X
AMP-TWIST 6S SL Jack, with dust cover	1711160-X
AMP-TWIST 6S SL Jack	1711342-X
AMP-TWIST 6AS SL Jack, with dust cover	1711592-X
AMP-TWIST 6AS SL Jack	1711716-X
Coupler, in-line, Cat. 5e, Black, shielded	2111122-X



www.commscope.com

Visit our website or contact your local CommScope representative for more information.

© 2015 CommScope, Inc. All rights reserved.

AMP-TWIST and all trademarks identified by ® or ™ are registered trademarks or trademarks, respectively, of CommScope, Inc. This document is for planning purposes only and is not intended to modify or supplement any specifications or warranties relating to CommScope products or services.

PS-320932.1-AE (12/15)